

EU-4306C

Quick Installation Guide

08-2022 / V1.0

Edimax Technology Co., Ltd.

No. 278, Xinhu 1st Rd., Neihu Dist., Taipei City, Taiwan

Email: support@edimax.com.tw

Edimax Technology Europe B.V.

Fijenhof 2, 5652 AE Eindhoven, The Netherlands

Email: support@edimax.nl

Edimax Computer Company

530 Technology Drive Suite 100, Irvine, CA 92618, USA

Email: support@edimax.us

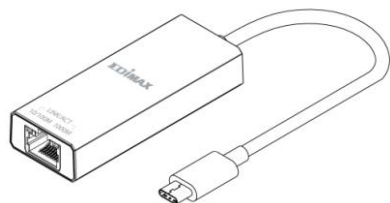
Contents

I.	<i>Product Information</i>	1
I-1.	Package Contents	1
I-2.	Hardware Overview	1
I-3.	LED Status	1
I-4.	Supported System	2
II.	<i>Plug-and-Play Installation</i>	2
II-1.	Insert the Adapter	3
II-2.	Connect to the Network	3
III.	<i>Driver Installation</i>	4
III-1.	Download & Install the Driver	4
III-3.	Connect to the Network	5
IV.	<i>More Information</i>	5
V.	<i>Safety Instructions</i>	6

I. Product Information

EU-4306C USB 3.2 Type C to Gigabit Ethernet Adapter is ideal for use on the USB type-C port on your devices for extremely fast and secure file transfers, streaming downloads and more.

I-1. Package Contents

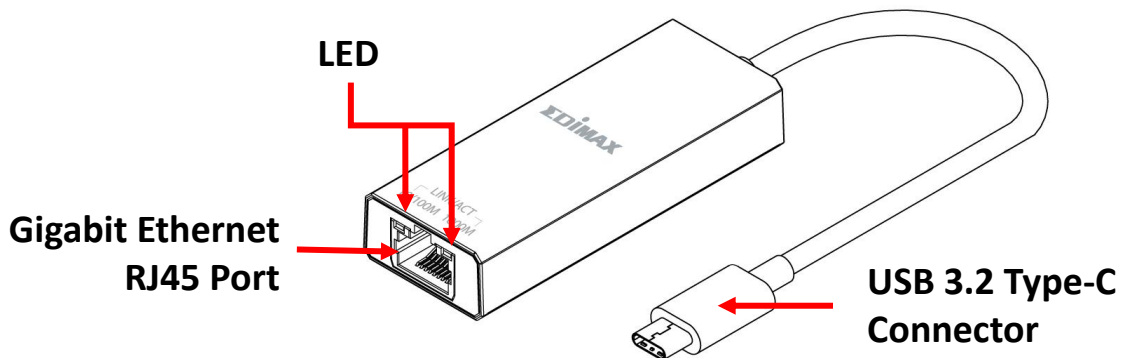


Adapter



Quick Installation Guide

I-2. Hardware Overview



I-3. LED Status

Function	Color	Status	Description
LINK/ACT 10/100Mbps (RJ45 Left LED)	Amber	On	The Port is connected, Link at 10/100Mbps
		Flashing	Sending or receiving data
		Off	The Port is disconnected or link failure
LINK/ACT 1000Mbps (RJ45 Right LED)	Green	On	The Port is connected, Link at 1000Mbps
		Flashing	Sending or receiving data
		Off	The Port is disconnected or link failure

I-4. Supported System

- Windows 8.x / 10 / 11
- macOS Big Sur 11/Catalina 10/Mojave 10/ High Sierra 10/OS X 10.11 El Capitan
- Nintendo Switch
- Google Chrome 88.0.4324.208
- Linux

* Additional version information may be announced on the EDIMAX website.

Please visit the EDIMAX website product page for the compatibility list. (Refer to session IV. More Information)

II. Plug-and-Play Installation

Plug-and-Play Supported OS:



Operating System	Version
Windows	8.x/10/11
macOS	Big Sur 11/Catalina 10/Mojave 10/ High Sierra 10/OS X 10.11 El Capitan
Google Chrome	88.0.4324.208
Nintendo Switch	Nintendo Switch
Linux	kernel 5.x/4.x/3.x/2.6.x

The following demonstrates the plug-and-play installation on Windows 10:

II-1. Insert the Adapter

Insert the adapter into the USB Type-C port on your computer.




Please wait for 10 seconds after plugging in.



Never use force to insert the adapter. USB 3.2 port is recommended for the best performance.

II-2. Connect to the Network

Plug the RJ45 Ethernet cable to the adapter, if the Plug-and-Play is supported “Network connected”  icon will be displayed on the Windows taskbar. The network connection is ready.



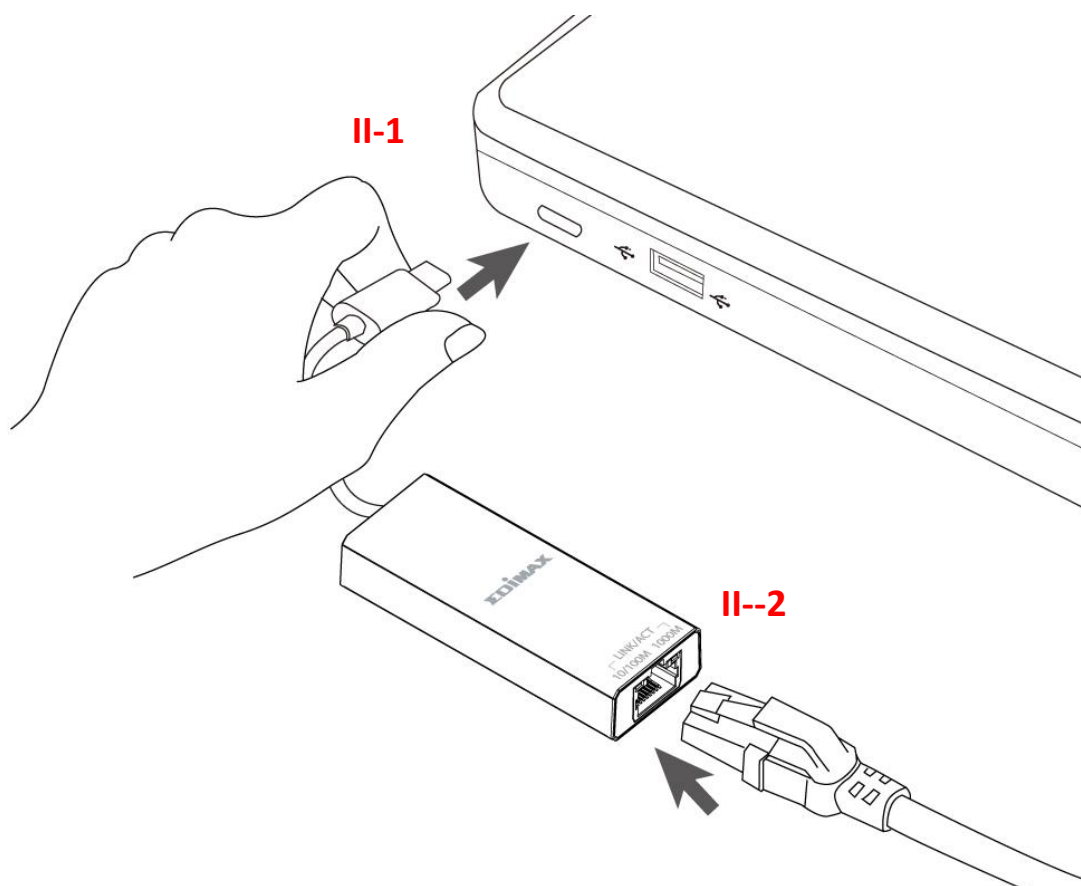
If you still see the “Network disconnected”



icon, please check your internet connection.



If your device doesn't support Plug-and-Play, please go to section III, to download and install the driver.



III. Driver Installation

Demonstrate the Windows 10 driver installation with the following process:


III-1. Download & Install the Driver

1. You can find the driver from the Edimax website listed below.

<https://www.edimax.com/download>

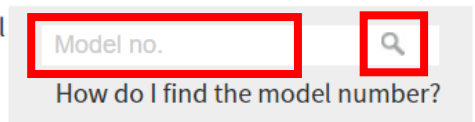


If your computer can not access the Internet directly, please use an Internet-Enabled device instead.


2. Enter the model number and then click the icon  to continue.

Download

To select your product and find related download materials, enter the model number into the search box on the right side or follow the simple steps below:



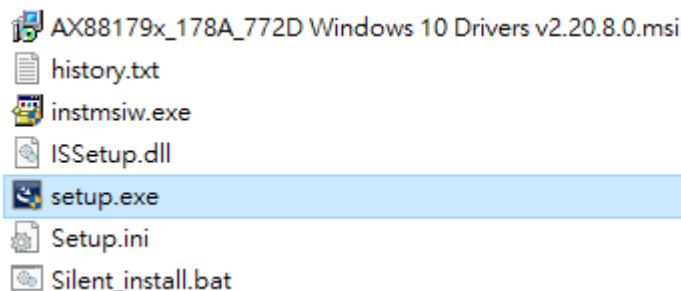
3. Click on the model number on the search result.

4. Scroll down the web page and select the right OS version. Move the cursor to the “**Download icon**”  and save the driver on the computer desktop or a location you prefer.




Copy the driver to the USB flash drive first if you downloaded the driver on another Internet-Enabled device and insert the USB flash drive to the computer that you will be using the adapter on.

5. Move the cursor to the driver and extract the file. Once it's uncompressed fully, access the folder and click the **setup.exe** to continue.



6. Follow the instruction to complete the installation.
7. Please make sure your computer has been restarted before you go to next step.

III-3. Connect to the Network

1. After you restarted your computer, insert the adapter into the USB Type-C port on your device.
2. Plug the RJ45 Ethernet cable into the RJ45 LAN port, the “**Network connected**”  icon will be displayed on the bottom-right corner of the Windows taskbar. The network connection is ready.



If you still see the “Network disconnected”



icon, please check your internet connection.

IV. More Information

For more information, please visit our website with the following URL or scan the QR code:

<https://www.edimax.com/download>



Please search the model number to enter the referred page.

Download

To select your product and find related download materials, enter the model number into the search box on the right side or follow the simple steps below:

*Feel free to contact us anytime if you need help or if you can't find your product.

Model no.

[How do I find the model number?](#)

V. Safety Instructions

The following general safety guidelines are provided to help ensure your own personal safety and protect your product from potential damage. Remember to consult the product user instructions for more details.

- This product is designed for indoor use only.
- Static electricity can be harmful to electronic components. Discharge static electricity from your body (i.e. touching grounded bare metal) before touching the product.
- The device contains no user serviceable parts. Do not attempt to service the product and never disassemble the product.
- Do not spill food or liquid on your product and never push any objects into the openings of your product.
- Do not use this product near water, areas with high humidity, or condensation.
- Keep the product away from radiators and other heat sources.
- This device is not designed to be operated by children.
- Always unplug the product from mains power before cleaning and use a dry lint free cloth only

COPYRIGHT

Copyright © Edimax Technology Co., Ltd. all rights reserved. No part of this publication may be reproduced, transmitted, transcribed, stored in a retrieval system, or translated into any language or computer language, in any form or by any means, electronic, mechanical, magnetic, optical, chemical, manual or otherwise, without the prior written permission from Edimax Technology Co., Ltd.

Edimax Technology Co., Ltd. makes no representations or warranties, either expressed or implied, with respect to the contents hereof and specifically disclaims any warranties, merchantability, or fitness for any particular purpose. Any software described in this manual is sold or licensed as is. Should the programs prove defective following their purchase, the buyer (and not this company, its distributor, or its dealer) assumes the entire cost of all necessary servicing, repair, and any incidental or consequential damages resulting from any defect in the software. Edimax Technology Co., Ltd. reserves the right to revise this publication and to make changes from time to time in the contents hereof without the obligation to notify any person of such revision or changes.

The product you have purchased and the setup screen may appear slightly different from those shown in this QIG. The software and specifications are subject to change without notice. Please visit our website www.edimax.com for updates. All brand and product names mentioned in this manual are trademarks and/or registered trademarks of their respective holders.

Federal Communication Commission Interference Statement

This equipment has been tested and found to comply with the limits for a Class B digital device, pursuant to Part 15 of FCC Rules. These limits are designed to provide reasonable protection against harmful interference in a residential installation. This equipment generates, uses, and can radiate radio frequency energy and, if not installed and used in accordance with the instructions, may cause harmful interference to radio communications. However, there is no guarantee that interference will not occur in a particular installation. If this equipment does cause harmful interference to radio or television reception, which can be determined by turning the equipment off and on, the user is encouraged to try to correct the interference by one or more of the following measures:

1. Reorient or relocate the receiving antenna.
2. Increase the separation between the equipment and receiver.
3. Connect the equipment into an outlet on a circuit different from that to which the receiver is connected.
4. Consult the dealer or an experienced radio technician for help.

FCC Caution

This device and its antenna must not be co-located or operating in conjunction with any other antenna or transmitter. This device complies with Part 15 of the FCC Rules. Operation is subject to the following two conditions: (1) this device may not cause harmful interference, and (2) this device must accept any interference received, including interference that may cause undesired operation. Any changes or modifications not expressly approved by the party responsible for compliance could void the authority to operate equipment.

Federal Communications Commission (FCC) Radiation Exposure Statement

This equipment complies with FCC radiation exposure set forth for an uncontrolled environment. In order to avoid the possibility of exceeding the FCC radio frequency exposure limits, human proximity to the antenna shall not be less than 2.5cm (1 inch) during normal operation.

Federal Communications Commission (FCC) RF Exposure Requirements

This EUT is compliance with SAR for general population/uncontrolled exposure limits in ANSI/IEEE C95.1-1999 and had been tested in accordance with the measurement methods and procedures specified in OET Bulletin 65 Supplement C. The equipment version marketed in US is restricted to usage of the channels 1-11 only. This equipment is restricted to *indoor* use when operated in the 5.15 to 5.25 GHz frequency range.

R&TTE Compliance Statement

This equipment complies with all the requirements of DIRECTIVE 1999/5/EC OF THE EUROPEAN PARLIAMENT AND THE COUNCIL of March 9, 1999 on radio equipment and telecommunication terminal equipment and the mutual recognition of their conformity (R&TTE). The R&TTE Directive repeals and replaces in the directive 98/13/EEC (Telecommunications Terminal Equipment and Satellite Earth Station Equipment) As of April 8, 2000.

Safety

This equipment is designed with the utmost care for the safety of those who install and use it. However, special attention must be paid to the dangers of electric shock and static electricity when working with electrical equipment. All guidelines of this and of the computer manufacture must therefore be allowed at all times to ensure the safe use of the equipment.

EU Countries Intended for Use

The ETSI version of this device is intended for home and office use in Austria, Belgium, Bulgaria, Croatia, Cyprus, Czech, Denmark, Estonia, Finland, France, Germany, Greece, Hungary, Ireland, Italy, Latvia, Lithuania, Luxembourg, Malta, Netherlands, Poland, Portugal, Romania, Slovakia, Slovenia, Spain, Sweden, Turkey, and United Kingdom. The ETSI version of this device is also authorized for use in EFTA member states: Iceland, Liechtenstein, Norway, and Switzerland.

EU Countries Not Intended for Use

None

EU Declaration of Conformity

- English:** This equipment is in compliance with the essential requirements and other relevant provisions of Directive 2014/30/EU, 2014/35/EU.
- Français:** Cet équipement est conforme aux exigences essentielles et autres dispositions de la directive 2014/30/EU, 2014/35/EU.
- Čeština:** Toto zařízení je v souladu se základními požadavky a ostatními příslušnými ustanoveními směrnic 2014/30/EU, 2014/35/EU.
- Polski:** Urządzenie jest zgodne z ogólnymi wymaganiami oraz szczególnymi warunkami określonymi Dyrektywą UE 2014/30/EU, 2014/35/EU.
- Română:** Acest echipament este în conformitate cu cerințele esențiale și alte prevederi relevante ale Directivei 2014/30/EU, 2014/35/EU.
- Русский:** Это оборудование соответствует основным требованиям и положениям Директивы 2014/30/EU, 2014/35/EU.
- Magyar:** Ez a berendezés megfelel az alapvető követelményeknek és más vonatkozó irányelveknek (2014/30/EU, 2014/35/EU).
- Türkçe:** Bu cihaz 2014/30/EU, 2014/35/EU. direktifleri zorunlu istekler ve diğer hükümlerle ile uyumludur.
- Українська:** Обладнання відповідає вимогам і умовам директиви 2014/30/EU, 2014/35/EU.
- Slovenčina:** Toto zariadenie spĺňa základné požiadavky a ďalšie príslušné ustanovenia smerníc 2014/30/EU, 2014/35/EU.
- Deutsch:** Dieses Gerät erfüllt die Voraussetzungen gemäß den Richtlinien 2014/30/EU, 2014/35/EU.
- Español:** El presente equipo cumple los requisitos esenciales de la Directiva 2014/30/EU, 2014/35/EU.
- Italiano:** Questo apparecchio è conforme ai requisiti essenziali e alle altre disposizioni applicabili della Direttiva 2014/30/EU, 2014/35/EU.
- Nederlands:** Dit apparaat voldoet aan de essentiële eisen en andere van toepassing zijnde bepalingen van richtlijn 2014/30/EU, 2014/35/EU.
- Português:** Este equipamento cumpre os requisitos essenciais da Directiva 2014/30/EU, 2014/35/EU.
- Norsk:** Dette utstyret er i samsvar med de viktigste kravene og andre relevante regler i Direktiv 2014/30/EU, 2014/35/EU.
- Svenska:** Denna utrustning är i överensstämmelse med de väsentliga kraven och övriga relevanta bestämmelser i direktiv 2014/30/EU, 2014/35/EU.
- Dansk:** Dette udstyr er i overensstemmelse med de væsentligste krav og andre relevante forordninger i direktiv 2014/30/EU, 2014/35/EU.
- suomen kieli:** Tämä laite täyttää direktiivien 2014/30/EU, 2014/35/EU. oleelliset vaatimukset ja muut asiaankuuluvat määräykset.

FOR USE IN

AT	BE	BG	CZ	DK	DE				
EE	IE	EL	ES	FR	HR	IT	CY	LV	LT
LU	HU	MT	NL	PL	PT	RO	SI	SK	FI
SE	UK	UK(NI)	TR	IS	LI	NO	CH	RU	UA



WEEE Directive & Product Disposal



At the end of its serviceable life, this product should not be treated as household or general waste. It should be handed over to the applicable collection point for the recycling of electrical and electronic equipment, or returned to the supplier for disposal.

Declaration of Conformity

We, Edimax Technology Co., Ltd., declare under our sole responsibility, that the equipment described below complies with the requirements of the European R&TTE directives.

Equipment: USB3.0 to Giga ethernet Port NIC
Model No.: EU-4306C

The following European standards for essential requirements have been followed:

Directives 2014/30/EU


EMC : EN 55032:2015+A11:2020
EN IEC 61000-3-2:2019
EN 61000-3-3:2013+A1:2019
EN 55035:2017+A11:2020

Directives 2014/35/EU

Safety (LVD) : EN 62368-1:2014+A11:2017

Edimax Technology Europe B.V.
Fijenhof 2,
5652 AE Eindhoven,
The Netherlands

Date & Place of Issue: 31/August/2022, Eindhoven

Signature: 

Printed Name: David Huang

Title: Director

a company of:

Edimax Technology Co., Ltd.
No. 278, Xinhua 1st Rd., Neihu Dist.,
Taipei City, Taiwan

Date & Place of Issue: 31/August/2022, Taipei

Signature: 

Printed Name: Hunter Chen

Title: Director



Declaration of Conformity

We, Edimax Technology Co., Ltd., declare under our sole responsibility, that the equipment described below complies with the requirements of the United Kingdom EMC and Safety directives.

Equipment: USB3.0 to Giga ethernet Port NIC
Model No.: EU-4306C

The following European standards for essential requirements have been followed:

Electromagnetic Compatibility Regulations 2016 (S.I. 2016/1091)

EMC : EN 55032:2015+A11:2020
EN IEC 61000-3-2:2019
EN 61000-3-3:2013+A1:2019
EN 55035:2017+A11:2020

Electrical Equipment (Safety) Regulations 2016 (S.I. 2016/1101)

Safety (LVD) : EN 62368-1:2014+A11:2017

Edimax Technology Europe B.V.
Fijenhof 2,
5652 AE Eindhoven,
The Netherlands

Date & Place of Issue: 31/August/2022, Eindhoven

Signature: 

Printed Name: David Huang

Title: Director

a company of:

Edimax Technology Co., Ltd.
No. 278, Xinhua 1st Rd., Neihu Dist.,
Taipei City, Taiwan

Date & Place of Issue: 31/August/2022, Taipei

Signature: 

Printed Name: Hunter Chen

Title: Director

