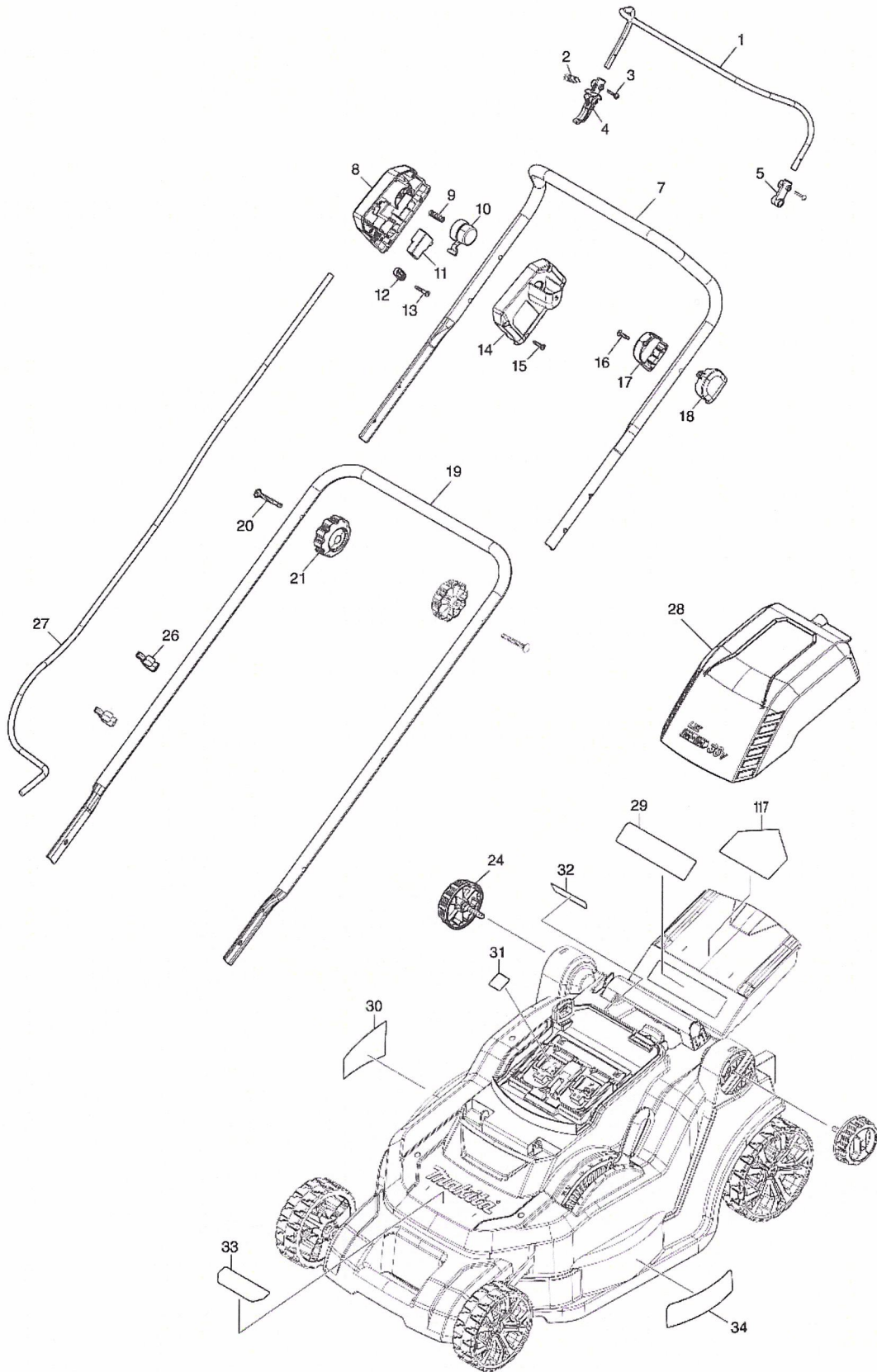
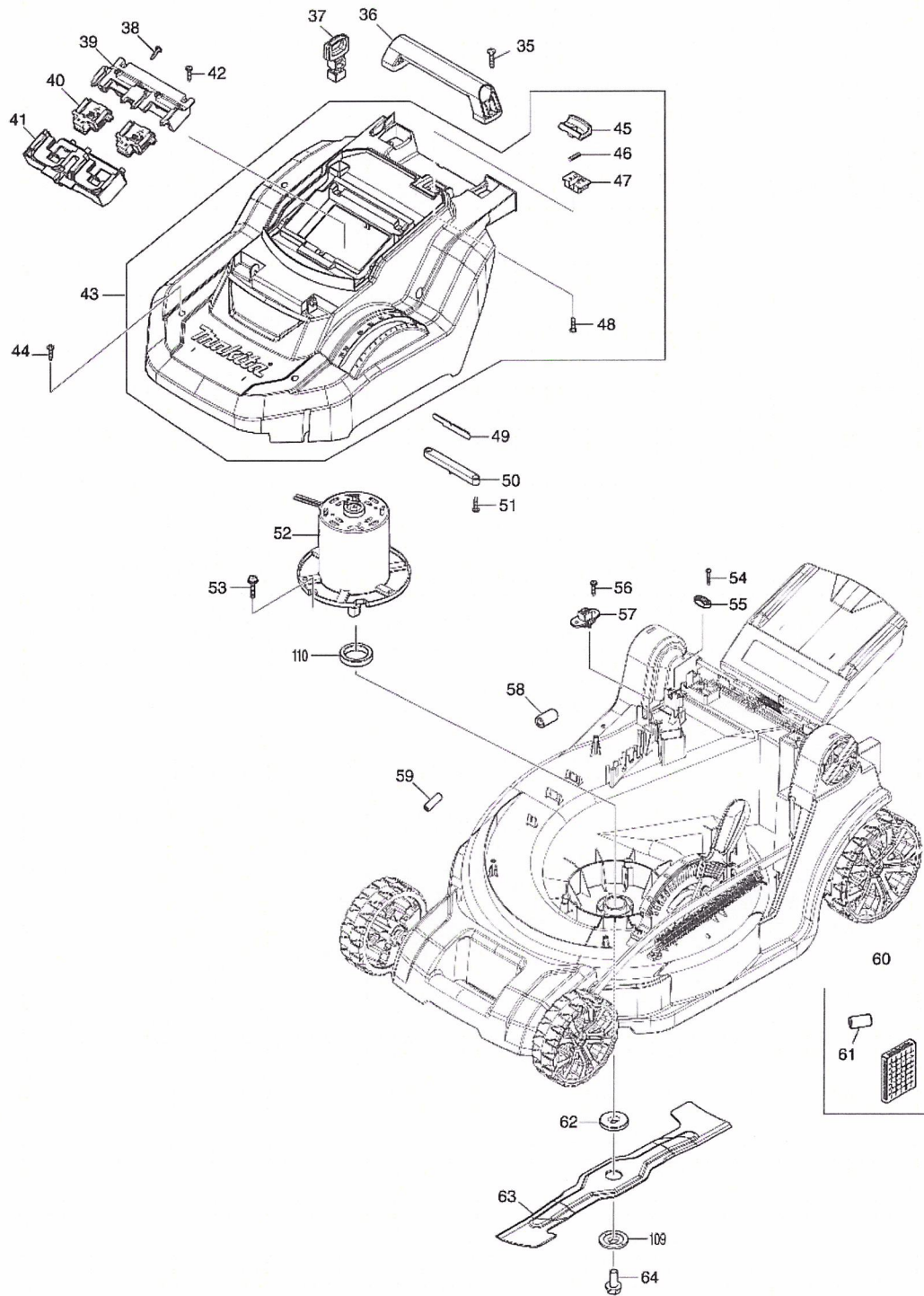


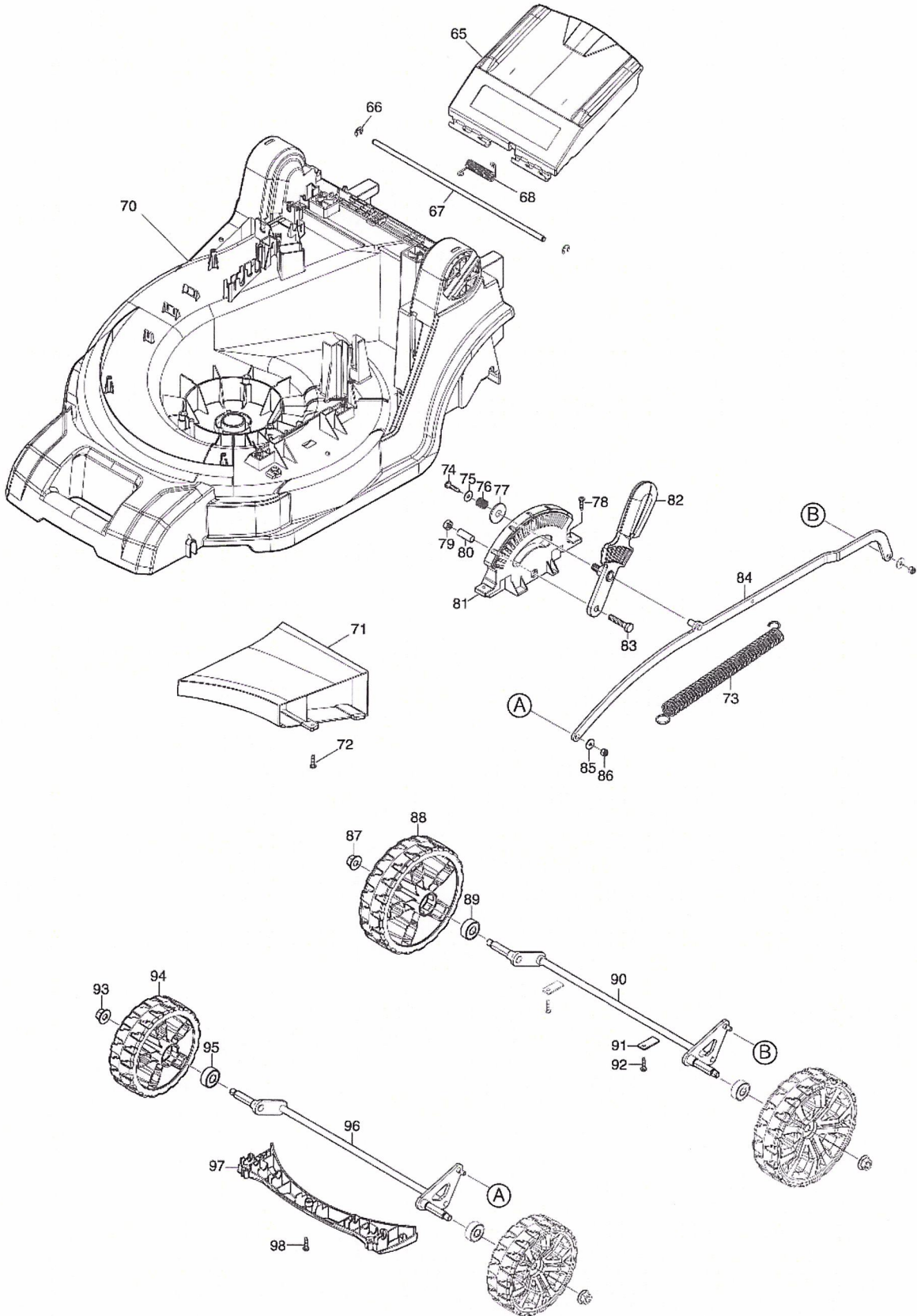
Model No.DLM432 430MM CORDLESS LAWN MOWER



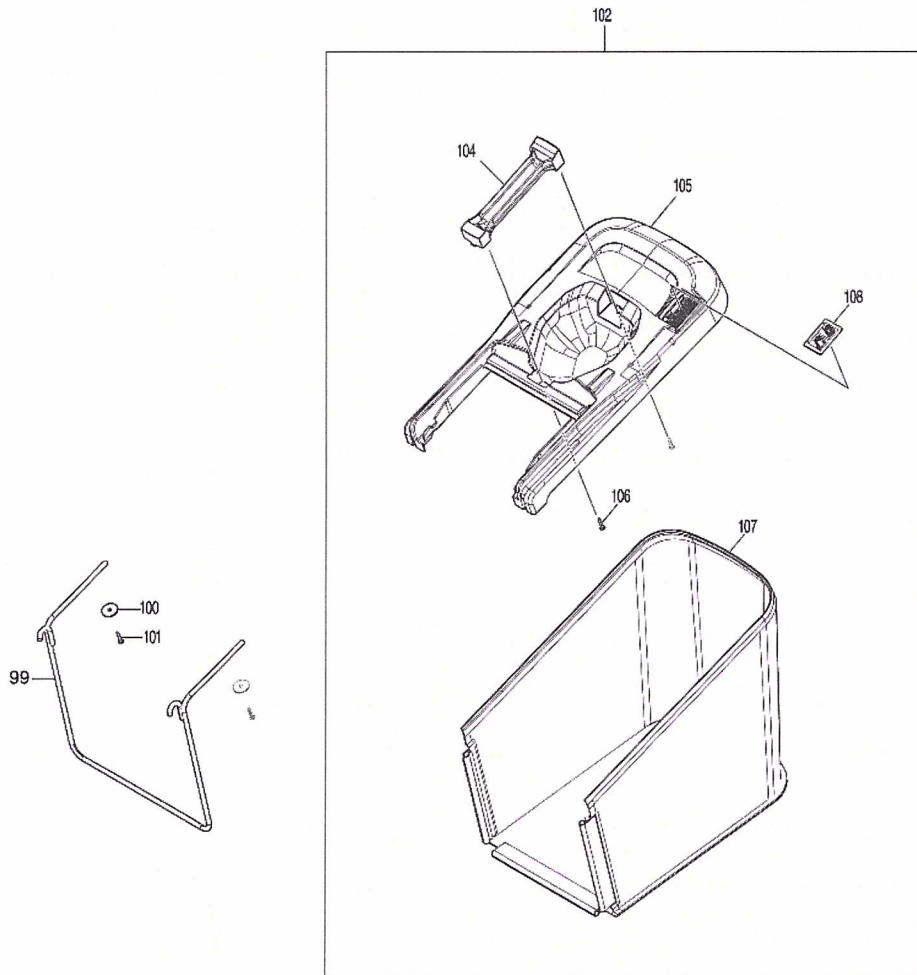
Model No.DLM432 430MM CORDLESS LAWN MOWER



Model No.DLM432 430MM CORDLESS LAWN MOWER



Model No.DLM432 430MM CORDLESS LAWN MOWER



POS. NO.	PARTS NO.	DESCRIPTION	USED QTY	PC/SET	NOTE 1	NOTE 2
001	326636-0	SWITCH LEVER	1			
002	231876-6	TENSION SPRING 9	1			
003	911138-5	P.H.SCREW M4X20 WITH WR	2			
004	455075-8	LEVER	1			
005	455078-2	ARM	1			
007	143510-5	UPPER PIPE COMPLETE	1			
008	459804-1	SWITCH BOX	1			
009	233068-3	COMPRESSION SPRING 6	1			
010	455074-0	SWITCH BUTTON	1			
011	650730-9	SWITCH TG72BD-6	1			
012	687124-5	STRAIN RELIEF	1			
013	265999-8	TAPPING SCREW 4X25	2			
014	140N15-0	SWITCH BOX COVER COMPLETE K	1			
014	C10 890374-5	INDICATION LABEL	1			
015	266326-2	TAPPING SCREW 4X18	4			
016	266326-2	TAPPING SCREW 4X18	1			
017	456352-1	SWITCH LEVER CASE COVER	1			
018	456351-3	SWITCH LEVER CASE	1			
019	326635-2	LOWER PIPE	1			
020	265A14-4	CUP H. SQUARE NECK BOLT M6X50	2			
021	264070-5	THUMB NUT M6	2			
024	266729-0	THUMB SCREW M8X35	2			
026	459809-1	HOLDER	2			
027	660393-3	POWER SUPPLY CORD	1			
028	140N21-5	BATTERY COVER COMPLETE E	1			
028	C10 8005W1-7	CAUTION LABEL	1			
029	890375-3	CAUTION LABEL	1			
030	856L50-3	DLM432 NAME PLATE	1			
031	856L57-9	DLM432 SERIAL NO. LABEL	1			
032	8005W9-1	INDICATION LABEL	1			
033	8005W4-1	INDICATION LABEL	1			
034	8005W5-9	INDICATION LABEL	1			
035	266459-3	TAPPING SCREW 5X25	2			
036	273675-0	GRIP A	1			
037	643890-4	KEY	1			
038	266326-2	TAPPING SCREW 4X18	3			
039	183N35-1	TERMINAL HOUSING SET	1			
039	C10 263005-3	RUBBER PIN 6	4			
039	D10	INC. 41				
040	644809-6	TERMINAL	2			
041	183N35-1	TERMINAL HOUSING SET	1			
041	C10 263005-3	RUBBER PIN 6	4			

041	D10		INC. 39				
042		266326-2	TAPPING SCREW 4X18	3			
043		127387-6	COWLING M ASSEMBLY	1			
043	D10		INC. 45-48				
044		266326-2	TAPPING SCREW 4X18	4			
045		453250-0	LOCK LEVER	1			
046		233173-6	COMPRESSION SPRING 4	1			
047		453251-8	LOCK LEVER SUPPORT	1			
048		266326-2	TAPPING SCREW 4X18	2			
049		620B91-3	LED CIRCUIT	1			
050		455070-8	LED COVER	1			
051		266326-2	TAPPING SCREW 4X18	2			
052		629A18-4	DC MOTOR	1			
053		266774-5	+ PAN HEAD SCREW M6X30 WITH WR	3			
054		265999-8	TAPPING SCREW 4X25	2			
055		687124-5	STRAIN RELIEF	1			
056		266326-2	TAPPING SCREW 4X18	2			
057		638946-6	LEAD UNIT	1			
058		688162-0	LINE FILTER	1			
059		688165-4	LINE FILTER	2			
060		632P19-3	CONTROLLER UNIT	1			
060	C10	654208-4	RECEPTACLE	1			
060	D10		INC. 61				
061		688162-0	LINE FILTER	1			
062		224444-2	INNER FLANGE 40	1			
063		191D43-8	BLADE 430 SET	1			
064		266731-3	HEX. BOLT M10X25	1			
065		140S15-0	REAR FLAP COMPLETE	1			
065	D10		INC. 29				
066		LC961018-5	STOP RING (EXT) E-5	2			
067		259067-7	ROD 6	1			
068		LC233597-6	TORSION SPRING 8	1			
070B		459780-9	DECK	1			
070B	C10	346544-9	PLATE NUT M8	2			
070B	C20	931302-2	HEX. NUT M6	3			
070C		459780-9	DECK	1			
070C	C10	346544-9	PLATE NUT M8	2			
070C	C20	931302-2	HEX. NUT M6	3			
070-1		459780-9	DECK	1			
070-1	C10	346544-9	PLATE NUT M8	2			
070-1	C20	931302-2	HEX. NUT M6	3			
071		412272-9	UNDER COVER	1			
072		266326-2	TAPPING SCREW 4X18	3			

073		LC231875-8	TENSION SPRING 16	1			
074		266326-2	TAPPING SCREW 4X18	1			
075		LC267102A7	FLAT WASHER 4	1			
076		LC231297-2	COMPRESSION SPRING 9	1			
077		LC253808A3	FLAT WASHER 9	1			
078		266326-2	TAPPING SCREW 4X18	2			
079		931302-2	HEX. NUT M6	1			
080		LC257670A8	SLEEVE 6	1			
081		453255-0	ADJUST PLATE	1			
082		459099-6	CHANGE LEVER	1			
083		LC921352-5	HEX.BOLT M6X30	1			
084		346543-1	CONNECTING ROD	1			
085		LC941101-4	FLAT WASHER 5	2			
086		252103-8	HEX. LOCK NUT M5-8	2			
087		LC252145-2	COLLARED HEX. NUT M8	2			
088		459101-5	REAR WHEEL	2			
089		LC210070-3	BALL BEARING 6200ZZ	2			
090		165669-8	REAR SHAFT	1			
091		LC346545-7	PLATE	2			
092		266326-2	TAPPING SCREW 4X18	2			
093		LC252145-2	COLLARED HEX. NUT M8	2			
094		459100-7	FRONT WHEEL	2			
095		LC210070-3	BALL BEARING 6200ZZ	2			
096		165668-0	FRONT SHAFT	1			
097		456353-9	FRONT COVER	1			
098		266326-2	TAPPING SCREW 4X18	5			
099		327409-4	REAR BAG ROD	1			
100		267438-4	FLAT WASHER 5	2			
101		266326-2	TAPPING SCREW 4X18	2			
102		127386-8	REAR BAG ASSEMBLY M	1			
102	D10		INC. 104-108				
104		273676-8	GRIP B	1			
105		459807-5	REAR BAG COVER	1			
106		266326-2	TAPPING SCREW 4X18	2			
107		162680-1	REAR BAG	1			
108		459806-7	INDICATOR M	1			
109		224445-0	OUTER FLANGE 40	1			
110		688238-3	LINE FILTER	1			
A01		782210-8	SOCKET WRENCH 17	1			
A02B		***DC18RD	DC18RD TWO PORT FAST CHARGER	1			
A02B	D10		COMPO-PARTS				
A03B		197280-8	BATTERY BL1850B SET	2			
E01		817C33-4	SOUND 92DB LABEL	1			