
Product family datasheet

LUMILUX T9 C

Circular fluorescent lamps 29 mm, with G10Q base



Areas of application

- Public buildings
- Restaurants
- Industry
- Shops
- Supermarkets and department stores
- Hotels

Product benefits

- Extremely economical
- Good quality of light
- Excellent luminous flux
- Excellent uniform illumination with no shadows

Product features

- Good color rendering group: 1B (R_a : 80...89)
- Good average lifetime
- Single-ended round fluorescent lamp
- Dimmable



Product family datasheet

Technical data

Product description	Electrical data		Photometrical data			Dimensions & weight
	Nominal voltage	Nominal wattage	Color rendering index Ra	Light color	Rated color temperature	Tube diameter
L 22 W/827 G10Q	62 V	22.00 W	80...89	827	2700 K	29 mm
L 22 W/840 G10Q	62 V	22.00 W	80...89	840	4000 K	29 mm
L 22 W/865 G10Q	62 V	22.00 W	80...89	865	6500 K	29 mm
L 32 W/827 G10Q	84 V	32.00 W	80...89	827	2700 K	29 mm
L 32 W/840 G10Q	84 V	32.00 W	80...89	840	4000 K	29 mm
L 32 W/865 G10Q	84 V	32.00 W	80...89	865	6500 K	29 mm
L 40 W/840 G10Q		40.00 W	80...89	840	4000 K	29 mm
L 40 W/865 G10Q		40.00 W	80...89	865	6500 K	29 mm

Product description	Temperatures & operating conditions	Lifespan				
	Rated ambient temp.w.max.luminous flux	Service life	Lifespan	Rated lamp survival factor at 2,000 h	Rated lamp survival factor at 4,000 h	Rated lamp survival factor at 6,000 h
L 22 W/827 G10Q	25.0 °C	6300 h ¹⁾	9000 h ¹⁾	0.99	0.95	0.83
L 22 W/840 G10Q	25.0 °C	5000 h ¹⁾	9000 h ¹⁾	0.99	0.95	0.83
L 22 W/865 G10Q	25.0 °C	6300 h ¹⁾	9000 h ¹⁾	0.99	0.95	0.83
L 32 W/827 G10Q	25.0 °C	6300 h	9000 h	0.99	0.95	0.83
L 32 W/840 G10Q	25.0 °C	6300 h	9000 h	0.99	0.95	0.83
L 32 W/865 G10Q	25.0 °C	6300 h	9000 h	0.99	0.95	0.83
L 40 W/840 G10Q	25.0 °C	6300 h ¹⁾	9000 h ¹⁾	0.98	0.95	0.83
L 40 W/865 G10Q	25.0 °C	6300 h ¹⁾	9000 h ¹⁾	0.98	0.95	0.83

Product description	Rated lamp survival factor at 8,000 h	Operation mode LLMF/LSF	Rated lamp life time	Additional product data	Capabilities	Certificates & standards
				Base (standard designation)	Suitable for indoor	Energy consumption
L 22 W/827 G10Q	0.62	50 Hz	9000 h	G10q	Yes	27 kWh/1000h

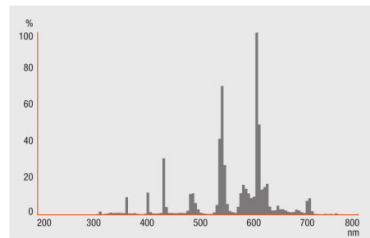
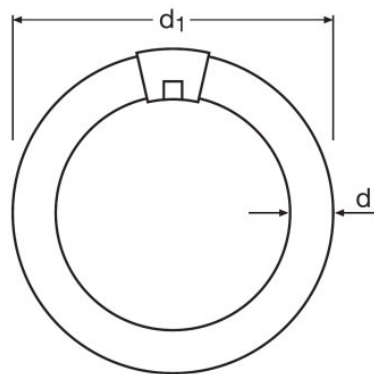
Product family datasheet

Product description	Rated lamp survival factor at 8,000 h	Operation mode LLMF/LSF	Rated lamp life time	Additional product data	Capabilities	Certificates & standards
				Base (standard designation)	Suitable for indoor	Energy consumption
L 22 W/840 G10Q	0.62	50 Hz	9000 h	G10q	Yes	27 kWh/1000h
L 22 W/865 G10Q	0.62	50 Hz	9000 h	G10q	Yes	27 kWh/1000h
L 32 W/827 G10Q	0.62	50 Hz	9000 h	G10q	Yes	39 kWh/1000h
L 32 W/840 G10Q	0.62	50 Hz	9000 h	G10q	Yes	39 kWh/1000h
L 32 W/865 G10Q	0.62	50 Hz	9000 h	G10q	Yes	39 kWh/1000h
L 40 W/840 G10Q	0.62	50 Hz	9000 h	G10q	Yes	48 kWh/1000h
L 40 W/865 G10Q	0.62	50 Hz	9000 h	G10q	Yes	48 kWh/1000h

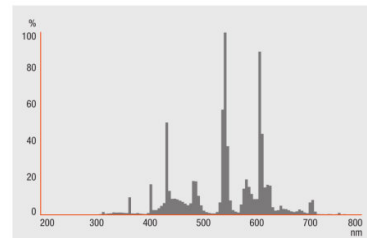
Product description	Energy efficiency class
L 22 W/827 G10Q	B
L 22 W/840 G10Q	B
L 22 W/865 G10Q	B
L 32 W/827 G10Q	A
L 32 W/840 G10Q	A
L 32 W/865 G10Q	A
L 40 W/840 G10Q	A
L 40 W/865 G10Q	A

¹⁾ With preheat ECG

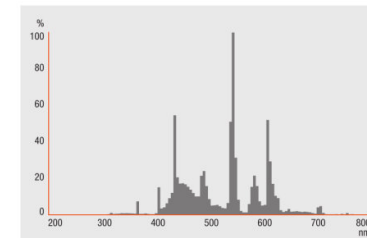
Product family datasheet



L 22 W/827 G10Q, L 32 W/827 G10Q



L 22 W/840 G10Q, L 32 W/840 G10Q,
L 40 W/840 G10Q



L 22 W/865 G10Q, L 32 W/865 G10Q,
L 40 W/865 G10Q

L 22 W/827 G10Q, L 22 W/840 G10Q,
L 22 W/865 G10Q, L 32 W/827 G10Q,
L 32 W/840 G10Q, L 32 W/865 G10Q,
L 40 W/840 G10Q, L 40 W/865 G10Q

Equipment / Accessories

– Suitable for operation on electronic and conventional control gears

Safety advice

In case of lamp breakage: www.osram.com/brokenlamp

Application advice

Product family datasheet

For more detailed application information and graphics please see product datasheet.

Logistical Data

Product code	Product description	Packaging unit (Pieces/Unit)	Dimensions (length x width x height)	Volume	Gross weight
4008321581068	L 22 W/827 G10Q	Shipping carton box 12	450 mm x 227 mm x 238 mm	24.31 dm ³	2708.60 g
4008321581082	L 22 W/840 G10Q	Shipping carton box 12	450 mm x 227 mm x 238 mm	24.31 dm ³	2708.60 g
4008321581105	L 22 W/865 G10Q	Shipping carton box 12	450 mm x 227 mm x 238 mm	24.31 dm ³	2708.60 g
4008321581129	L 32 W/827 G10Q	Shipping carton box 12	452 mm x 320 mm x 323 mm	46.72 dm ³	4228.20 g
4008321581143	L 32 W/840 G10Q	Shipping carton box 12	452 mm x 320 mm x 323 mm	46.72 dm ³	4228.20 g
4008321581167	L 32 W/865 G10Q	Shipping carton box 12	452 mm x 320 mm x 323 mm	46.72 dm ³	4228.20 g
4050300014845	L 40 W/840 G10Q	Shipping carton box 12	452 mm x 431 mm x 436 mm	84.94 dm ³	5865.00 g
4008321960139	L 40 W/865 G10Q	Shipping carton box 12	452 mm x 431 mm x 436 mm	84.94 dm ³	5865.00 g

The mentioned product code describes the smallest quantity unit which can be ordered. One shipping unit can contain one or more single products. When placing an order, for the quantity please enter single or multiples of a shipping unit.

References / Links

For more information on QUICKTRONIC electronic control gear go to

Product family datasheet

▶ www.osram.com/QUICKTRONIC

Disclaimer

Subject to change without notice. Errors and omission excepted. Always make sure to use the most recent release.

OSRAM GMBH is distribution partner
of LEDVANCE for Digital Lighting
Systems and Components

OSRAM

OSRAM GmbH
Marcel-Breuer-Strasse 6
80807 Munich, Germany