

# Performance C Series

## Power Supplies XP400R6 / XP500R6 / XP600R6 / XP700R6

The new Xilence Performance C series is focusing on the essentials. Designed for office and home computers, the new Performance C series delivers stable voltages with high efficiency (ErP2014). This guarantees a considerably low fan noise. Four built-in safety circuits ensure safe operation at all times.

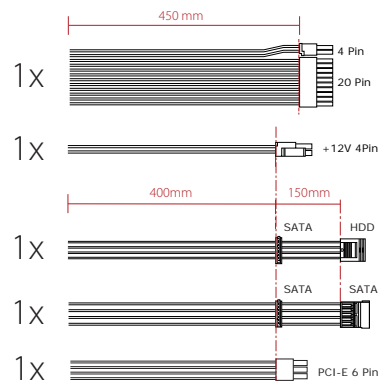


### Product Features

- extremely silent cooling: large 120mm fan
- excellent air flow design for a better heat dissipation
- following safety design:
  - OVP (Over Voltage Protection)
  - UVP (Under Voltage Protection)
  - SCP (Short Circuit Protection)
  - OLP (Over Load Protection)
- low stand-by consumption
- complies with ErP2014 norm
- active-PFC

### Technical Data | XP400R6

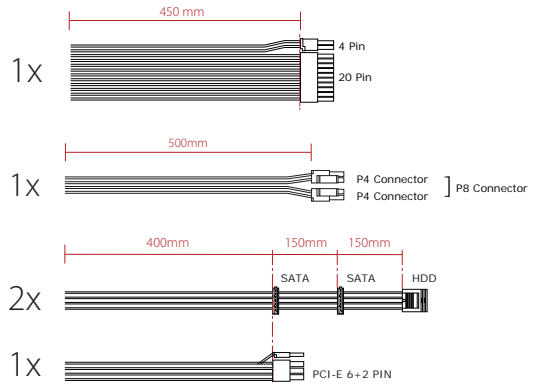
	AC INPUT	DC OUTPUT												
XP400R6	200V - 240V	<table border="1"> <tr><td>+ 3.3V</td><td>15.0A</td></tr> <tr><td>+ 5.0V</td><td>12.0A</td></tr> <tr><td>+ 12.0V</td><td>13.0A</td></tr> <tr><td>+ 12.0V2</td><td>13.0A</td></tr> <tr><td>- 12.0V</td><td>0.3A</td></tr> <tr><td>+ 5.0VSB</td><td>2.5A</td></tr> </table>	+ 3.3V	15.0A	+ 5.0V	12.0A	+ 12.0V	13.0A	+ 12.0V2	13.0A	- 12.0V	0.3A	+ 5.0VSB	2.5A
+ 3.3V	15.0A													
+ 5.0V	12.0A													
+ 12.0V	13.0A													
+ 12.0V2	13.0A													
- 12.0V	0.3A													
+ 5.0VSB	2.5A													
Efficiencies		<table border="1"> <tr><td>10%</td><td>&gt; 78,21%</td></tr> <tr><td>20%</td><td>&gt; 82,64%</td></tr> <tr><td>50%</td><td>&gt; 85,43%</td></tr> <tr><td>100%</td><td>&gt; 82,55%</td></tr> <tr><td>300W</td><td>continuous</td></tr> <tr><td>400W</td><td>Peak Power</td></tr> </table>	10%	> 78,21%	20%	> 82,64%	50%	> 85,43%	100%	> 82,55%	300W	continuous	400W	Peak Power
10%	> 78,21%													
20%	> 82,64%													
50%	> 85,43%													
100%	> 82,55%													
300W	continuous													
400W	Peak Power													



# Performance C Series

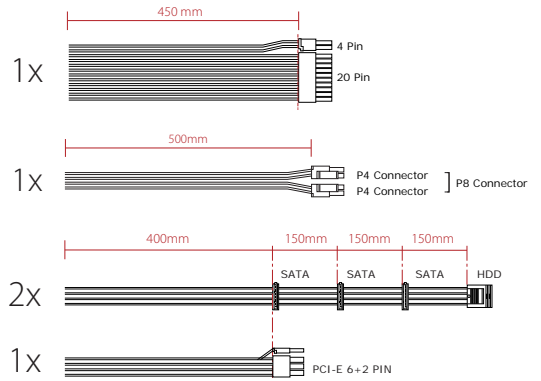
## Technical Data | XP500R6

	AC INPUT	DC OUTPUT
XP500R6	200V - 240V	+ 3.3V 15.0A
		+ 5.0V 12.0A
		+ 12.0V 15.0A
		+ 12.0V2 15.0A
		- 12.0V 0.3A
		+ 5.0VSB 2.5A
Efficiencies		10% > 81,70%
		20% > 85,38%
		50% > 85,82%
		100% > 82,67%
		350W continuous
		500W Peak Power



## Technical Data | XP600R6

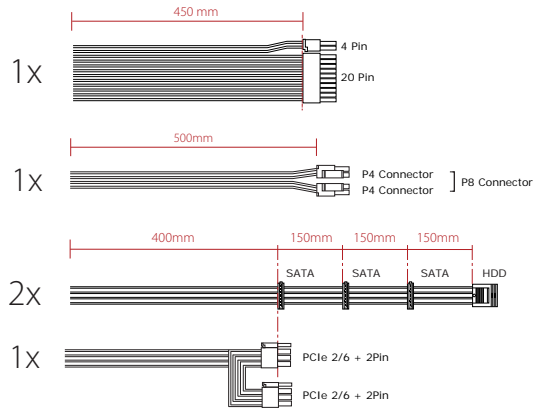
	AC INPUT	DC OUTPUT
XP600R6	200V - 240V	+ 3.3V 15.0A
		+ 5.0V 15.0A
		+ 12.0V 18.0A
		+ 12.0V2 20.0A
		- 12.0V 0.3A
		+ 5.0VSB 2.5A
Efficiencies		10% > 82,09%
		20% > 85,81%
		50% > 86,11%
		100% > 82,49%
		450W continuous
		600W Peak Power



# Performance C Series

## Technical Data | XP700R6

	AC INPUT	DC OUTPUT
XP700R6	200V - 240V	+ 3.3V 18.0A
		+ 5.0V 15.0A
		+ 12.0V 30.0A
		+ 12.0V2 30.0A
		- 12.0V 0.3A
		+ 5.0VSB 3.0A
Efficiencies		10% > 83,87%
		20% > 86,96%
		50% > 86,90%
		100% > 83,24%
		550W continuous
		700W Peak Power



## Logistical Data

Manufacturer Number	XP400R6	XP500R6	XP600R6	XP700R6
Item Number	XN041	XN042	XN044	XN046
EAN Barcode	4044953500213	4044953500220	4044953500237	4044953500541