

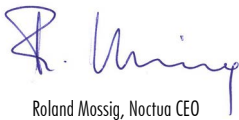


Dear customer,

Congratulations on choosing the Noctua NH-L9a-AM4. This small cooler packs all essential technologies of our award-winning high-end models into a highly compact package in order to give you the best possible quiet cooling experience for HTPCs and small form factor builds. I'm confident that you will be able to sense some of the research, attention and care we've put into making this product.

Enjoy your Noctua NH-L9a on AM4!

Yours sincerely,



Roland Mossig, Noctua CEO

This manual will guide you through the installation process of the SecuFirm2™ mounting system step by step.

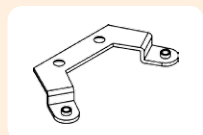
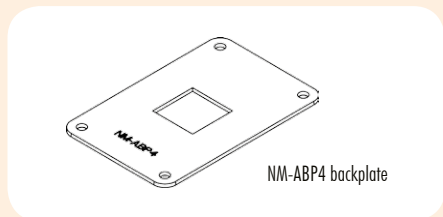
Prior to installing the cooler, please consult the compatibility list on our website (www.noctua.at/compatibility) and verify that the cooler is fully compatible with your motherboard. In particular, if your motherboard does not come with a pre-installed stock backplate, double check that there are no components on the rear side that would prevent the installation of the NM-ABP4 backplate.

Should you encounter any difficulties, please check the FAQs on our website (www.noctua.at/faqs) and don't hesitate to contact our support team at support@noctua.at.

Noctua cannot be held responsible for any damage or losses caused by compatibility issues.

Multilingual versions of this manual are available on our website: www.noctua.at/manuals

Required mounting parts:

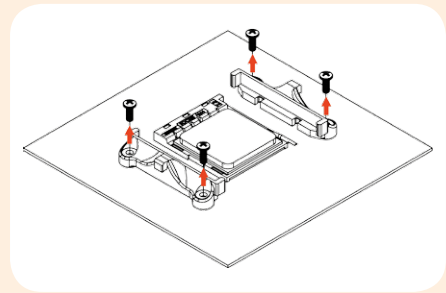


Step 1

Removing the stock retention module and backplate

If your motherboard comes with a pre-installed CPU cooler retention module, please first remove it by unscrewing it from the backplate. Then remove the backplate.

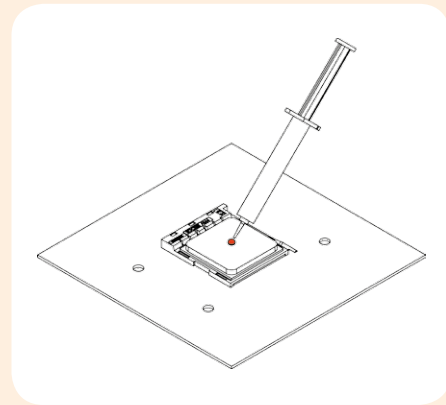
If your motherboard does not come with a pre-installed CPU cooler retention module and backplate, please proceed with step 2.



Step 2

Applying thermal paste

If there are residual traces of thermal paste or thermal pads on your CPU, please clean them off first. Then press a small drop (4-5mm diameter) of the supplied NT-H1 thermal compound onto the centre of the heatspreader.



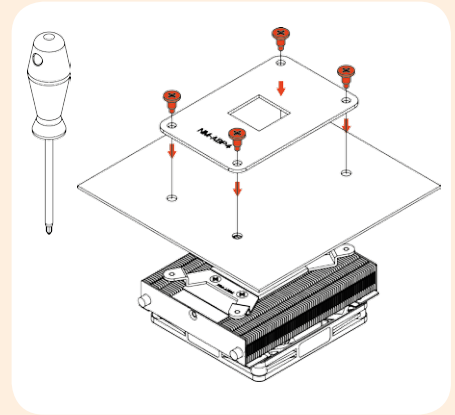
Caution: Applying too much thermal paste will lower heat conductivity and cooling performance!

Step 3

Fastening the heatsink to the CPU

Put the heatsink onto the CPU and the supplied NM-ABP4 backplate to the rear side of the motherboard. Now stick the mounting screws through the holes of the backplate and fix the cooler. Perform 3 turns on each screw, then repeat until all are fully tightened.

Caution: Please make sure that the insulated side of the backplate is facing the motherboard.



Caution: Gently tighten the screws until they stop, but don't use excessive force (max. torque 0.6 Nm).

Step 4

Fan setup

Connect the fan to the motherboard.

Depending on your CPU and the temperature inside the case, you may interconnect the supplied NA-RC7 Low-Noise Adaptor (L.N.A.) in order to further reduce the fan's operating noise.

Caution: When using the L.N.A., check the temperature of your CPU using appropriate software (e.g. the respective applications of your motherboard manufacturer), in order to evade automatic throttling of the CPU due to the increased temperature. If the cooling performance is insufficient, please increase case ventilation or remove the L.N.A.

In case you would like to use a 92x25mm fan for further improved performance, please first unscrew the preinstalled NF-A9x14 fan and use the supplied longer screws to install the 92x25mm fan.

Warranty, support and FAQs

Even with high-grade products and strict quality control, the possibility of defects cannot be eliminated entirely. Therefore, we aim at providing the highest possible level of reliability and convenience by offering a warranty period of 6 years and direct, fast and straightforward RMA service.

Should you encounter any problems with your Noctua product, please check the FAQs on our website (www.noctua.at/faqs) and don't hesitate to contact our support team at support@noctua.at.