



Make It Yours.

SICKLEFLOW 120 ARGB

MFX-B2DN-18NPA-R1

FLOW TO PRESSURE



FEATURES

New Air Balance Blade - Optimized fan blade design with increased curvature that improves air flow and air pressure.

Improved Frame Durability - Enhanced square frame structure with added rib-support for reducing turbulent flow, noise and increasing overall work efficiency.

New Bearing Sealant - Two-tier sealing mechanism designed to improve dustproof capabilities and prevent lubricant oil leakage for extended life span and performance.

Luminescent Light Effect- Using milky white tinted fan blades to enhance light dispersion for more vibrant and luminescent effect.

Certified Compatible with Asus Aura, ASRock RGB and MSI RGB Motherboards. (Both ARGB and RGB version)

Optimized Flow and Pressure

Continuing the SickleFlow 120 series , Cooler Master introduces a few new models with brand new upgraded design features for enhanced performance. Introducing addressable RGB lighting more vibrant than before and certified compatible with all major motherboard manufacturers.

The new SickleFlow 120 fan blades were created with larger blades and increased curvature to optimize the air flow and air pressure performance. Strengthen structural frame design with added rib housing for durability. Improved dustproof and oil leakage prevention for beater life expectancy,

SPECIFICATIONS

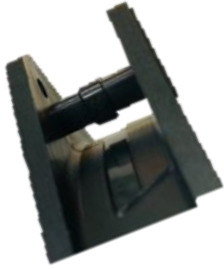
Product Name	SickleFlow 120 ARGB
Product Number	MFX-B2DN-18NPA-R1
Profile	Addressable RGB
Bearing Type	Rifle
Fan Speed (RPM)	650~1800 RPM ± 10%
Airflow (CFM)	62 CFM ± 10%
Air Pressure (mmH2O)	2.5 mmH2O ± 10%
Fan Noise Level (dBA)	8~27 dBA
Dimensions (mm)	120 x 120 x 25 (4.7 x 4.7 x 1")
MTTF (hours)	160,000
RGB Connector	3-Pin ARGB
RGB Rated Voltage	5 VDC
RGB Rated Current	0.21 A
Rated Voltage	12 VDC
Rated Current	0.15 A
Safety Current	0.37A
Power Consumption	1.8 W
Connector	4-Pin PWM
Weight	156 g (0.34 lbs)
Warranty	2 Years

PACKING INFORMATION

EAN code	4719512097427
UPC code	884102069727
Net weight	0.168
Gross weight	0.236
Package dimension (L x W X H)	143 x 32 x 228 mm
Carton dimension (L x W x H)	420 x 375 x 173 mm
Units/CTN	20

Cont.	W/ Pallet	Carton/ Pallet	W/O Pallet
20'	15840	72	N/A
40'	31680	72	N/A
40 HQ	34320	78	N/A

FEATURES



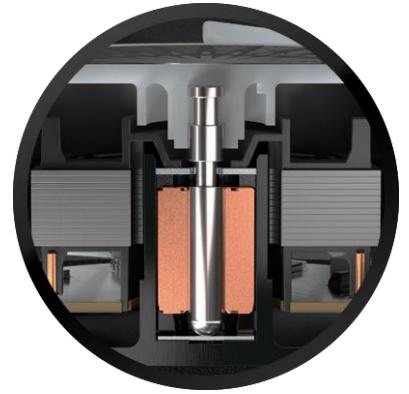
Better Structural Support

New Flange housing design with added rib for better support, reduced vibration and



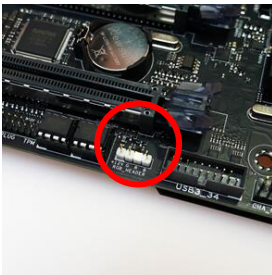
New AB Fan Blades

Larger and more curved fan blades for optimized air flow and air pressure.



Two-Tier Sealing Mechanism

Improve dustproof properties as well as prevent sleeve lubricant from leaking.



Motherboard/Controller (Needed)

Requires Motherboard ARGB port or ARGB controller (sold separately).