

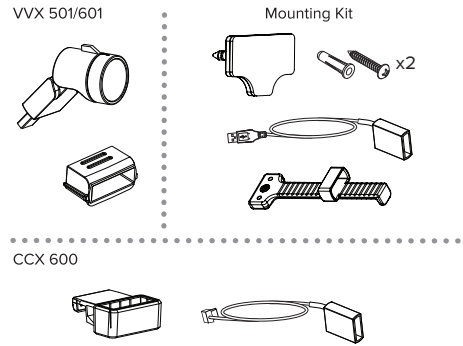


SETUP SHEET

Polycom® EagleEye™ Mini USB Camera

Package Contents

Contenu de la boîte • Packungsinhalt • Contenido del paquete • Conteúdo do pacote • Contenido della confezione • 同梱品 • 包装内容 • 包裝內容 • 패키지 내용물

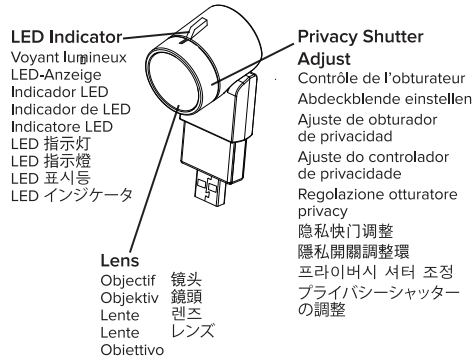


3725-85381-003B



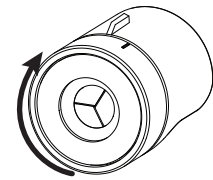
Features

Caractéristiques • Funktionen • Características • Recursos • Funzioni • 功能 • 功能 • 기능 • 機能



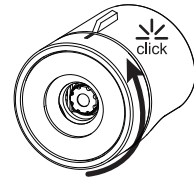
Closing Shutter

Fermeture de l'obturateur
Verschluss schließen
Cerrar obturador
Obturador perto
Otturatore chiuso
关闭快门
關閉快門
셔터를 닫습니다
シャッターを閉じる



Opening Shutter

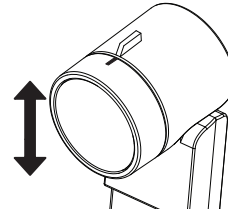
Ouvrez l'obturateur
Verschluss öffnen
Abrir obturador
Obturador aberto
Otturatore aperto
打开快门
打開快門
셔터를 엽니다
シャッターを開く



Adjusting Lens Angle

Réglage de l'angle de l'objectif
Objektivwinkel einstellen
Ángulo de la lente de ajuste
Ajustando o ângulo da lente
Regolazione dell'angolo dell'obiettivo

調整鏡頭角度
調整鏡頭角度
렌즈 각도를 조정합니다
レンズの角度を調整する



LED Color	Status
Couleur du voyant lumineux • LED-Farbe • Color de LED • Cor do LED • Colore LED • LED 색상 • LED 燈顏色 • LED 燈顏色 Off Désactivé • Aus • Desactivado • Desligado • Spento • 关闭 • 閉 • 閉目 • オフ	État • Status • Estado • Status • Estado • 状態 • 状態 • 状態 Off Désactivé • Aus • Desactivado • Desligado • Spento • 关闭 • 閉 • 閉目 • オフ
Orange • Gelb • Ambar • Âmbar • Ambră • 黄色 • 黄燈 • 橙燈 • オレンジ色 Amber Pas d'appel vidéo actif • Kein Videoanruf aktiv • Sin vídeo llamada activa • Nenhuma chamada de vídeo ativa • Nessuna chiamata video attiva • 没有活动的视频呼叫 • 没有进行中的视频呼叫 • 没有活动视频呼叫 • 没有进行中的视频呼叫 • 没有活动视频呼叫 • 没有进行中的视频呼叫	No active video call Pas d'appel vidéo actif • Kein Videoanruf aktiv • Sin vídeo llamada activa • Nenhuma chamada de vídeo ativa • Nessuna chiamata video attiva • 没有活动的视频呼叫 • 没有进行中的视频呼叫 • 没有活动视频呼叫 • 没有进行中的视频呼叫 • 没有活动视频呼叫 • 没有进行中的视频呼叫
Vert • Grün • Verde • Verde • Verde • 绿色 • 綠燈 • 綠色 • 綠色 Green Appel vidéo entrant • Videoanruf aktiv • Vídeo llamada activa • Chamada de vídeo ativa • Chamada video activa • 活动的视频呼叫 • 视频通话进行中 • 视频通话进行中 • 视频通话进行中 • 视频通话进行中	Active video call Appel vidéo entrant • Videoanruf aktiv • Vídeo llamada activa • Chamada de vídeo ativa • Chamada video activa • 活动的视频呼叫 • 视频通话进行中 • 视频通话进行中 • 视频通话进行中 • 视频通话进行中
Vert clignotant • Blinkt grün • Verde intermitente • Verde piscando • Verde lampeggiante • 绿色闪烁 • 閃綠燈 • 綠色 閃燈 • 綠色 閃燈 Flashing green Vert clignotant • Blinkt grün • Verde intermitente • Verde piscando • Verde lampeggiante • 绿色闪烁 • 閃綠燈 • 綠色 閃燈 • 綠色 閃燈	Incoming video call Vert clignotant • Blinkt grün • Verde intermitente • Verde piscando • Verde lampeggiante • 绿色闪烁 • 閃綠燈 • 綠色 閃燈 • 綠色 閃燈
Orange et vert en alternance • Blinkt grün-gelb • Ambar y verde alternándose • Alternando entre âmbar e verde • 黄色和绿色交替 • 黄燈和綠燈交替 • 黄燈和綠燈交替 Alternating Amber and Green Orange et vert en alternance • Blinkt grün-gelb • Ambar y verde alternándose • Alternando entre âmbar e verde • 黄色和绿色交替 • 黄燈和綠燈交替 • 黄燈和綠燈交替	Software update Mise à jour de logiciel • Softwareaktualisierung • Atualização de software • Atualização de software • Aggiornamento software • 软件更新 • 軟體更新 • 軟體更新 Mise à jour de logiciel • Softwareaktualisierung • Atualização de software • Atualização de software • Aggiornamento software • 软件更新 • 軟體更新 • 軟體更新



BY USING THIS PRODUCT, YOU ARE AGREEING TO THE TERMS OF THE END USER LICENSE AGREEMENT (EULA) AT: <https://support.polycom.com/content/support/polycom-agreements.html>. IF YOU DO NOT AGREE TO THE TERMS OF THE EULA, DO NOT USE THE PRODUCT, AND YOU MAY RETURN IT IN THE ORIGINAL PACKAGING TO THE SELLER FROM WHOM YOU PURCHASED THE PRODUCT.

Refer to the Limited Warranty section of the Product Warranty Guide found in the Services found at <http://support.polycom.com/>

U.S. and Canada Regulatory and Compliance Information

Part 15 Rules

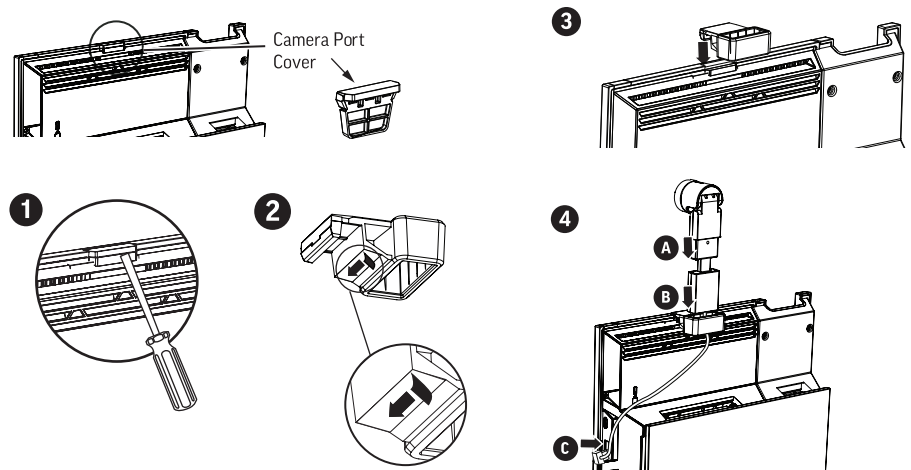
This device complies with part 15 of the FCC Rules. Operation is subject to the following two conditions:
(1) This device may not cause harmful interference, and (2) This device must accept any interference received, including interference that may cause undesired operation.

Class B Digital Device or Peripheral

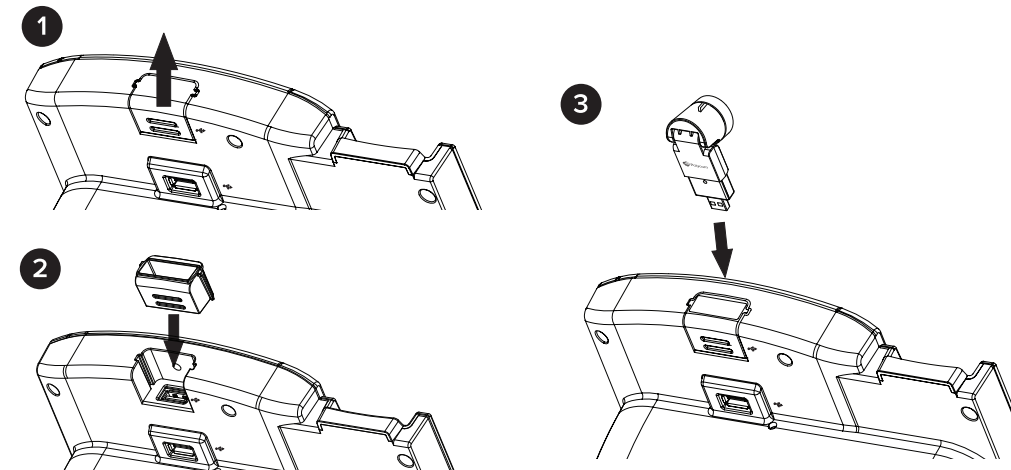
NOTE: This equipment has been tested and found to comply with the limits for a Class B digital device, pursuant to part 15 of the FCC Rules. These limits are designed to provide reasonable protection against harmful interference in a residential installation. This equipment generates, uses and can radiate radio frequency energy and, if not installed and used in accordance with the instructions, may cause harmful interference to radio communications. However, there is no guarantee that interference will not occur in a particular installation. If this equipment does cause harmful interference to radio or television reception, which can be determined by turning the equipment off and on, the user is encouraged to try to correct the interference by one or more of the following measures:

- Reorient or relocate the receiving antenna.
- Increase the separation between the equipment and receiver.
- Connect the equipment into an outlet on a circuit different from that to which the receiver is connected.
- Consult the dealer or an experienced radio/TV technician for help.

For Poly CCX 600 business media phones.



For Polycom® VVX® 501 and VVX® 601 business media phones with UC Software 5.8.1 or later



Pour les téléphones multimédia professionnels Poly CCX 600
Für die Business-Media-Telefone Poly CCX 600
Para teléfonos multimedia empresariales Poly CCX 600
Para telefones de mídia corporativos Poly CCX 600
Per telefoni multimedia aziendali Poly CCX 601

适用于 Poly CCX 600 商务媒体电话
适用于 Poly CCX 600 商務媒體電話
Poly CCX 600 비즈니스 미디어 전화용
した Poly CCX 600 ビジネスメディアフォン用

Pour les téléphones multimédia professionnels Polycom® VVX® 501 et VVX® 601 dotés du logiciel UC version 5.8.1 ou suivante
Für die Business-Media-Telefone Polycom® VVX® 501 und VVX® 601 mit UC-Software ab Version 5.8.1
Para telefones multimedia empresariales Polycom® VVX® 501 y VVX® 601 con software UC 5.8.1 o posterior

Para telefones de mídia corporativos Polycom® VVX® 501 e VVX® 601 com o Software UC 5.8.1 ou posterior
Per telefoni multimedia aziendali Polycom® VVX® 501 e VVX® 601 con software UC versione 5.8.1 o successiva
适用于 Polycom® VVX® 501 和 VVX® 601 商务媒体电话 (带有 5.8.1 或更高版本的 UC 软件)

適用於具備 UC 軟體 5.8.1 以上版本的 Polycom® VVX® 501 和 VVX® 601 商務媒體電話
UC 소프트웨어 5.8.1 이상의 Polycom® VVX® 501 및 VVX® 601 비즈니스 미디어 전화용 UC 소프트웨어 5.8.1 이하를搭載한 Polycom® VVX® 501および VVX® 601 비즈니스 미디어폰용

Modifications
In accordance with part 15 of the FCC rules, the user is cautioned that any changes or modifications not expressly approved by Polycom Inc. could void the user's authority to operate the equipment.

Canadian EMC Class B
This Class [B] digital apparatus complies with Canadian ICES-003. Cet appareil numérique de la classe [B] est conforme à la norme NMB-003 du Canada

Safety and Regulatory Information

This device should only be connected to standard 5V USB compliant power sources with a maximum current exceeding 550mA.

Operating Ambient Conditions
Operating Temperature: +32 to 104°F (0 to 40°C); Relative Humidity: 5% to 95%, noncondensing;
Storage temperature: -40 to +160°F (-40 to +70°C) RF Power: nB dBm

Installation Instructions
Installation must be performed in accordance with all relevant national wiring rules. L'installation doit être exécutée conformément à tous les règlements nationaux applicable au filage électrique.



support.polycom.com/voice

© 2020 Plantronics, Inc. All rights reserved. Poly, the propeller design, and the Poly logo are trademarks of Plantronics, Inc. All other trademarks are the property of their respective owners.

For the Poly Trio™ Collaboration Kit,
Polycom® VoxBox™ Work Anywhere Kit,
and Polycom EagleEye Mini with
mounting kit.

Pour les produits Polycom Trio™ Collaboration Kit, Polycom® VoxBox™ Work Anywhere Kit et Polycom EagleEye Mini avec kit de montage.

Para los productos Polycom Trio™ Collaboration Kit, Polycom® VoxBox™ Work Anywhere Kit y Polycom EagleEye Mini con kit de montaje.

Para Polycom Trio™ Collaboration Kit, Polycom® VoxBox™ Work Anywhere Kit y Polycom EagleEye Mini con kit de fijación.

Für Polycom Trio™ Collaboration Kit, Polycom® VoxBox™ Work Anywhere Kit und Polycom EagleEye Mini mit Befestigungssatz.

Per il Polycom Trio™ Collaboration Kit, il Polycom® VoxBox™ Work Anywhere Kit e Polycom EagleEye Mini con kit di montaggio.

Polycom Trio™ Collaboration Kit, Polycom® VoxBox™ Work Anywhere Kit, および取り付けキット付き Polycom EagleEye Mini 向け

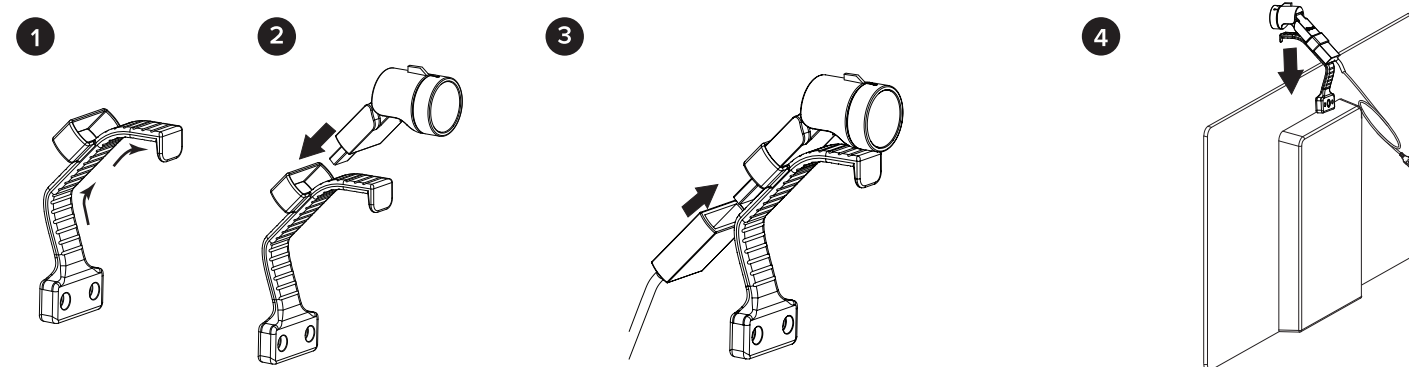
適用する Polycom Trio™ Collaboration Kit, Polycom® VoxBox™ Work Anywhere Kit, 及び 付属の Polycom EagleEye Mini 用の 取り付けキット

Para Polycom Trio™ Collaboration Kit, Polycom® VoxBox™ Work Anywhere Kit y Polycom EagleEye Mini con kit de fijación.

適用する Polycom Trio™ Collaboration Kit, Polycom® VoxBox™ Work Anywhere Kit, 及び 付属の Polycom EagleEye Mini 用の 取り付けキット

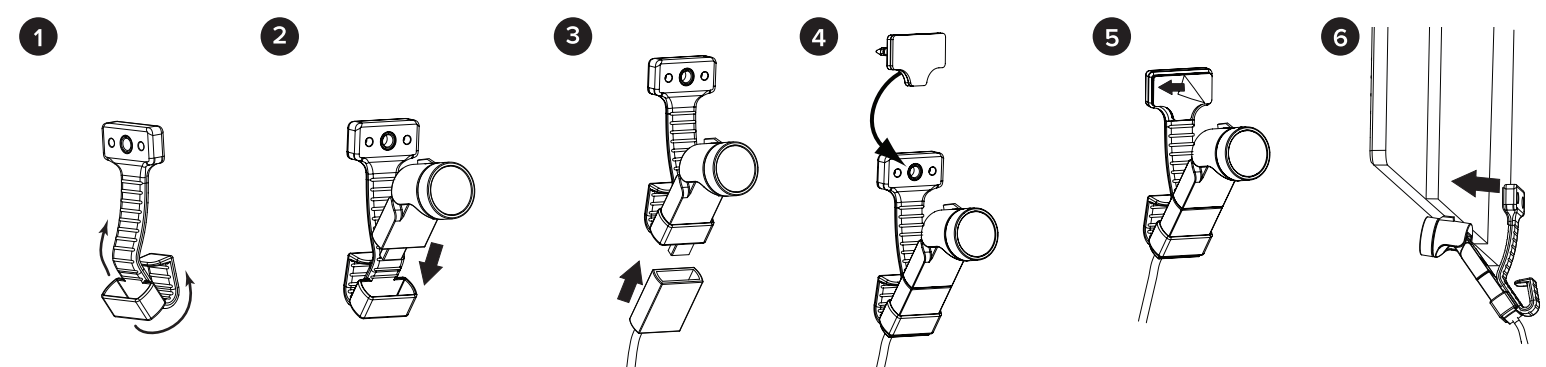
Top Monitor Mount

Installation de l'écran en hauteur • Befestigung auf dem Monitor •
Fijación superior de monitor • Montagem sobre o monitor •
Fissaggio su parte superiore del monitor • 顶部显示器安装座 •
監視器頂端裝設 • 모니터 상단 마운팅 • モニタ上部への取り付け



Bottom Monitor Mount

Installation de l'écran au niveau inférieur • Befestigung unter dem
Monitor • Fijación inferior de monitor • Montagem sob o monitor •
Fissaggio su parte inferiore del monitor • 底部显示器安装座 •
監視器底部裝設 • 모니터 하단 마운팅 • 모니터下部への取り付け

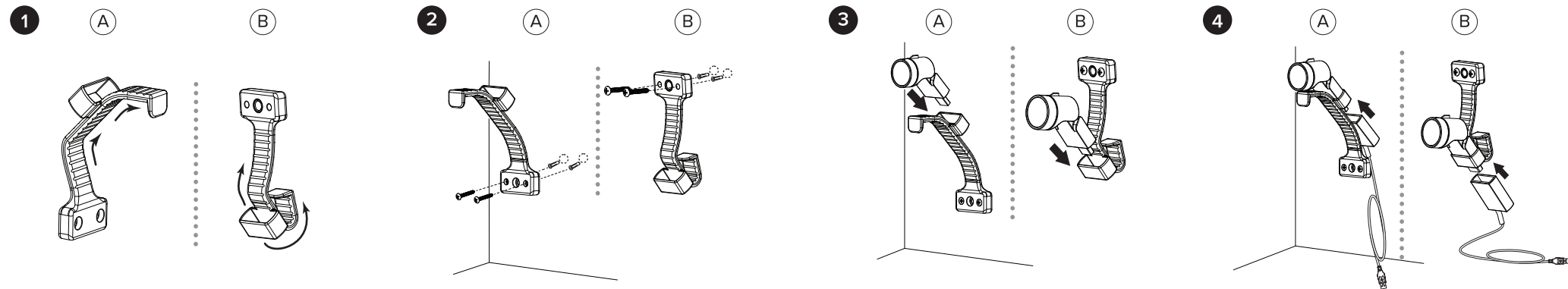


Wall Mount

Montage mural • Wandmontage • Fijación en pared •
Montagem na parede • Montaggio a parete • 壁装座 •
牆面裝設 • 월 마운팅 • 壁への取り付け

Note: Mount less than 2m high

Note: Hauteur maximale : 2 m • Hinweis: In maximal 2 m Höhe anbringen •
Nota: Montar a menos de 2 m de altura • Observação: Monte a menos de 2m
de altura • Nota: montare a un'altezza inferiore a 2 m • 注意: 安装座低于 2 米 • 請注意: 裝設點不得
高於 2 米 • 참고: 높이 2m 이하로 마운팅할 것 •メモ: 2m未満の高さに取り付けます



Tripod Mount

Montage sur un trépied • Stativmontage • Fijación en trípode •
Montagem em tripé • Montaggio su treppiede • 三脚架 •
三腳架裝設 • 삼각대 마운팅 • 三脚への取り付け

