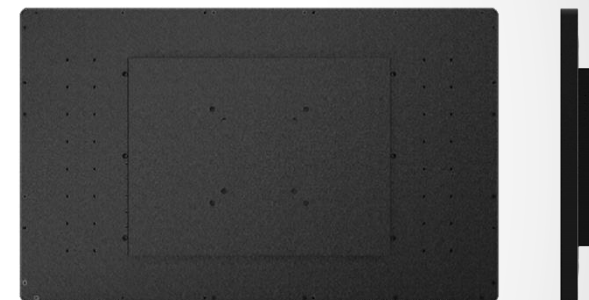


### Open Frame Touch Monitor

#### HO 220 PTA

54,6 cm / 21.5" Diagonal  
LED Backlight – Format 16:9

- 1920 x 1080 Resolution Full HD 1080P
- 10-Point Touch P-Cap Technology
- Anti-Glare
- 178° / 178° Ultra Wide Viewing Angle
- Triple Input: DP + HDMI + VGA
- IP65 Rating Level
- Glass Protection: Thickness 2.0 mm
- Built-in Speakers
- Sturdy Metal Case
- VESA and Multiple Mounting Options
- Edge to Edge glass without raised frame
- Orientation: Landscape, Portrait, Face-Up



54,6 cm / 21.5"

Part No.: HO 220 PTA

#### SIZE, RESOLUTION



21.5"  
16:9 Aspect Ratio



Full HD  
1920 x 1080

#### CONNECTIVITY, IP LEVEL

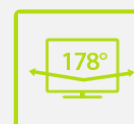


VGA  
HDMI  
DP



IP 65  
Water & Dust  
Protection

#### VIEWING ANGLE, VESA



178 Ultra-Wide  
Viewing Angle



VESA  
Wall-Mountable

#### OTHER FEATURES



Anti-Glare



Speakers

Display Size	54,6 cm / 21.5" Diagonal
Panel Type	TFT – LED Backlight, VA Panel
Aspect Ratio	16:9
Resolution (H x V)	1920 x 1080 Full HD
Brightness (Typical)	400 cd/m <sup>2</sup> (Panel) – 350 cd/m <sup>2</sup> (Monitor)
Contrast (Typical)	3.000:1 (Typical)
Viewing Angle L/R; U/D	178° H / 178° V (CR > 10)
Response Time	5 msec (with OD)
Pixel Pitch	0,24825 (H) x 0,24825 (V) mm
Touch Type	Projected Capacitive Type – 10 Point Touch
TP Surface Treatment	Anti-glare; Haze 5%; Glossiness 75%; Roughness 0,21
Display Colors	16.7M Colors
Horizontal Frequency	30 ~ 83 kHz
Vertical Frequency	56 ~ 75 Hz
Max Display Frequency	1920 x 1080 @ 60Hz
Input 1	VGA
Input 2	HDMI 1.4
Input 3	DP 1.2
Input 4	USB 2.0 (Touch)
Input 5	Audio In
Speakers	Yes, 2W x 2; Earphone jack
Power Consumption	On: ≤ TBD W; Stand-by: ≤ 0,5W; Off: ≤ 0,3W
AC Power Range	Built-in Power Supply; AC 100 ~ 240 Volt; 50 ~ 65 Hz
Product Dimensions	526,8 x 46,2 x 324,6 mm (W x D x H)
Packing Dimensions	- x - x - mm (W x D x H) TBC
Net / Gross Weight	- Kg / - Kg TBC

VESA Mounting	100 x 100 mm; 75 x 75 mm
Glass Protection	Thickness 2,0 ± 0,3 mm
Hardness / Transmittance	≥6H Toughened hard panel surface / ≥85%
IP Rating Level	IP 65 on surface (Front), Water and Dust Protection *
Color	Warm, Normal, Cool, User Mode
On Screen Display	7 Languages
Preset Mode	PC, ECO, Movie, Game Mode
Accessory	Power cable (1,5m); HDMI Cable (1,5m); USB 2.0 (B-A) Cable for Touch (1,5m)
Orientation	Landscape, Portrait, Face-Up

Supplier's Name	HANNSpree
Model Name	HO220PTA
Energy efficiency class for standard Dynamic Range (SDR)	
Annual Energy Power Consumption (kWh/1000h)	kWh/1000h
On mode power demand for Standard Dynamic Range (SDR)	W
Off mode power demand (W)	W
Standby mode power demand (W)	W
Screen Diagonal (cm / inches)	54,6cm / 21.5"
Resolution	1920 x 1080

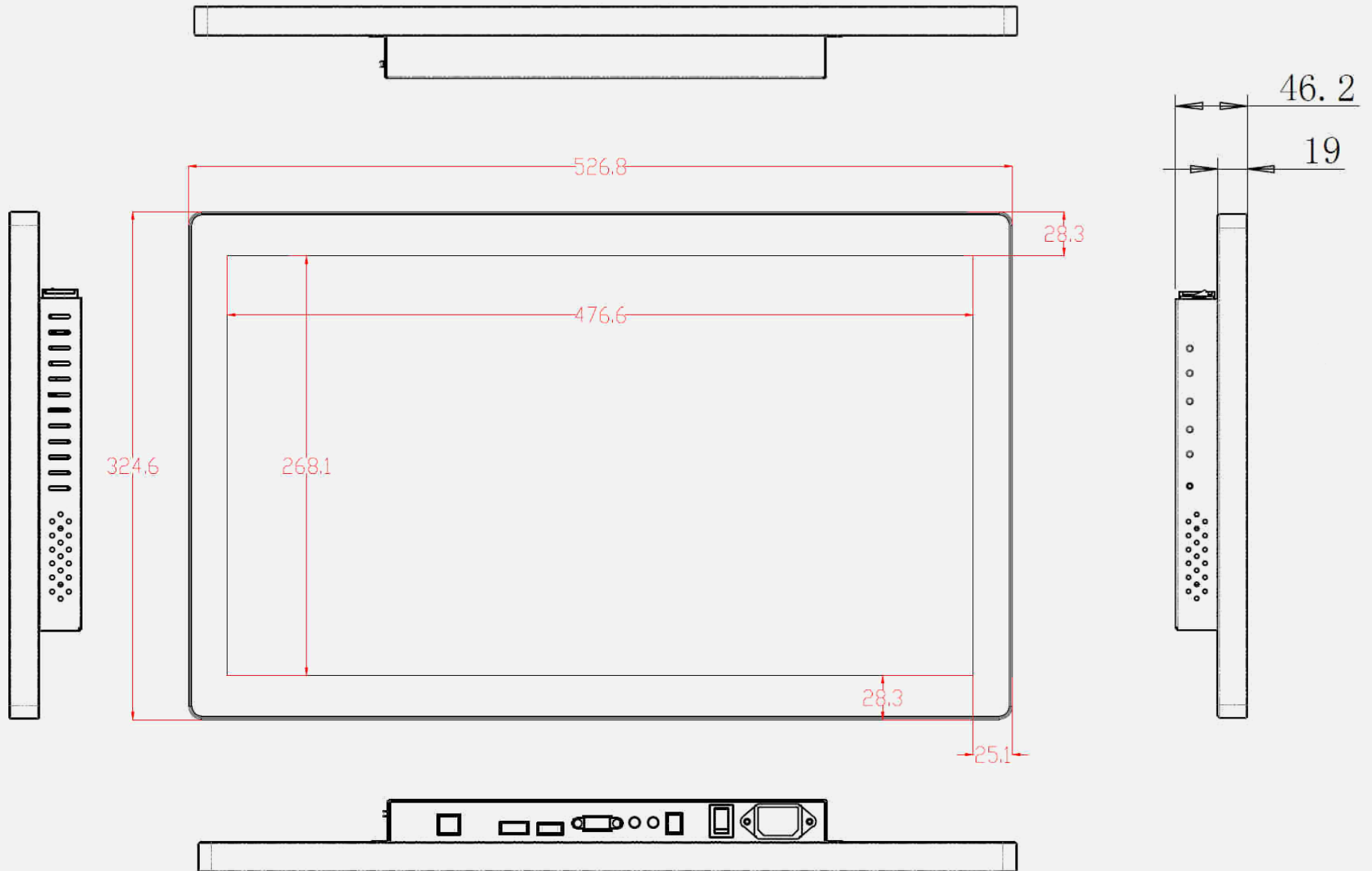
PART NO.:  
HO 220 PTA



4 711404 024535 >

\* IP65: The IP Code classifies how resistant a device is to foreign objects and moisture. IP65 means that the monitor is protected from total dust ingress and it is protected against low pressure water jets.

## HO 220 PTA 21.5" Open Frame Touch Monitor



## HO 220 PTA 21.5" Open Frame Touch Monitor

