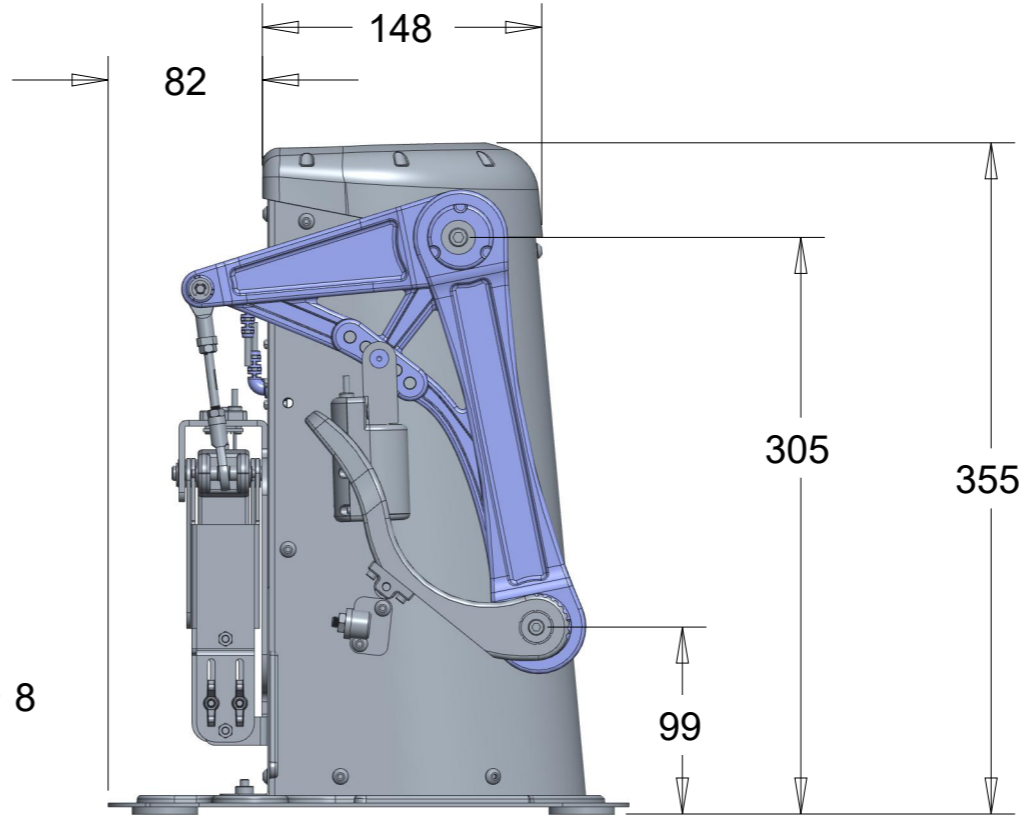
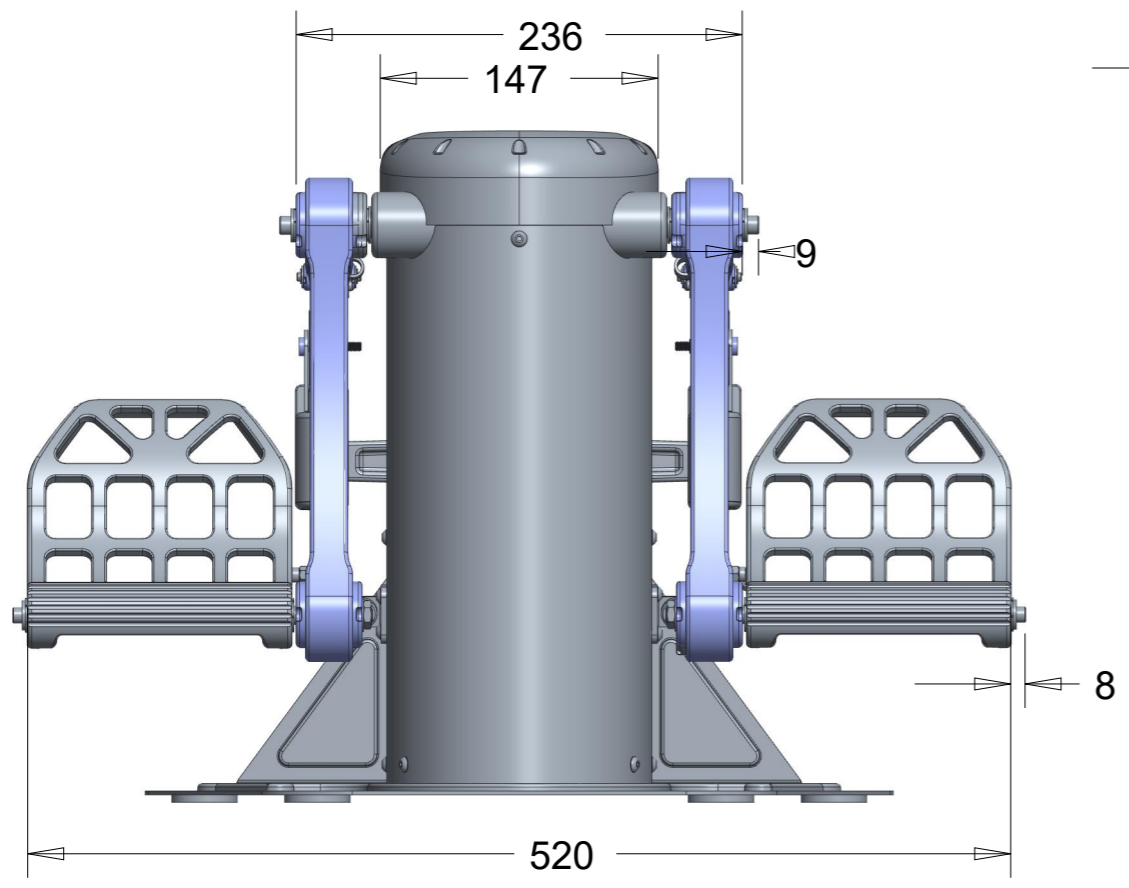
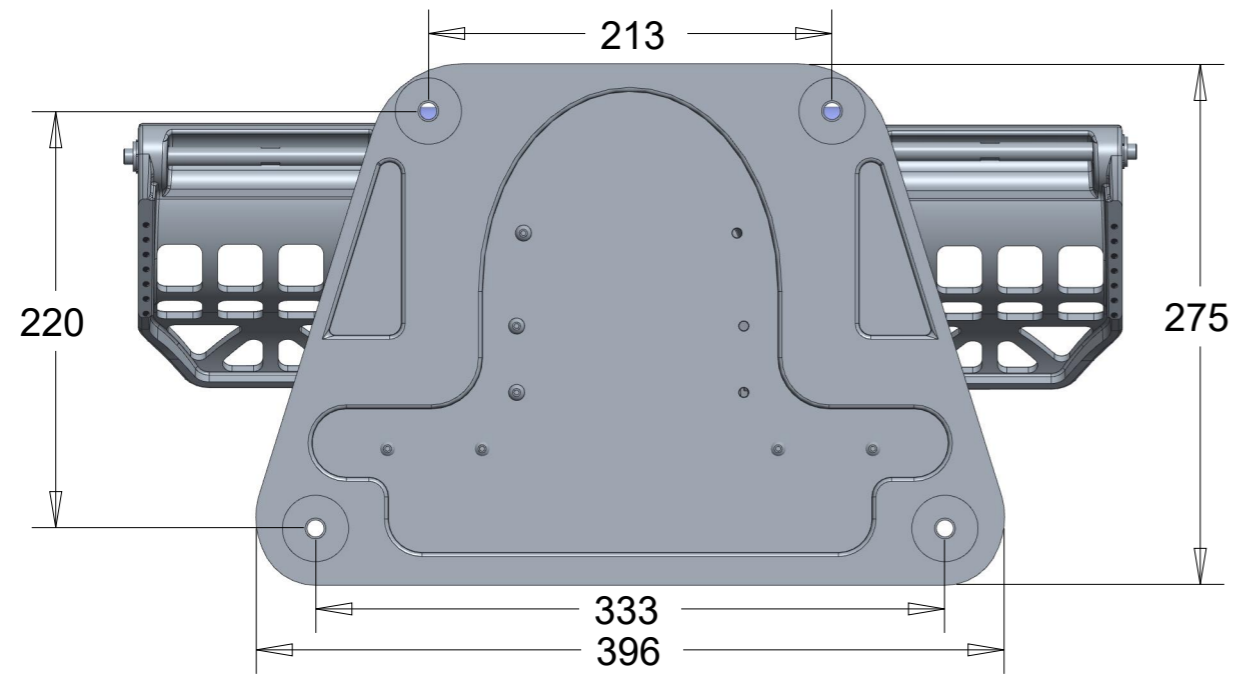


VERSIONS	
A	INITIAL RELEASE



MATERIAL	DRAWN BY Thrustmaster	DATE 2018-05-15	GUILLEMOT CORPORATION HERCULES THRUSTMASTER	
DIMENSIONAL TOLERANCES UNLESS OTHERWISE SPECIFIED MILLIMETERS ± 1.5mm	CHECKED BY	DATE		
<p>FIRST ANGLE PROJECTION</p>	APPROVALS		DWG NO. TM-RU-TPR-ASSY-DRW	SIZE A3
	MASSE			
	PLAN TM-Pendular-Rudder			