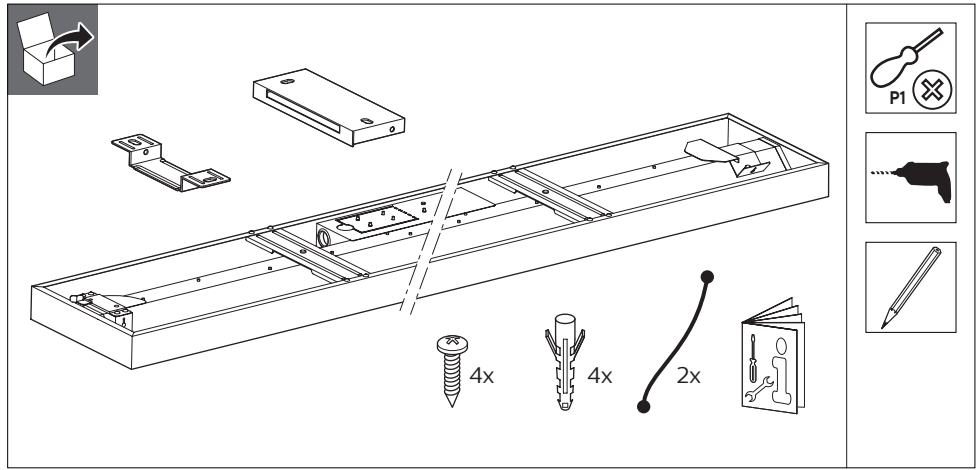


# PHILIPS

## Ledinaire Surface-mounted

### SM060C



50Hz  
60Hz

220V  
240V

LIFE  
L65  
50K hrs

IP20

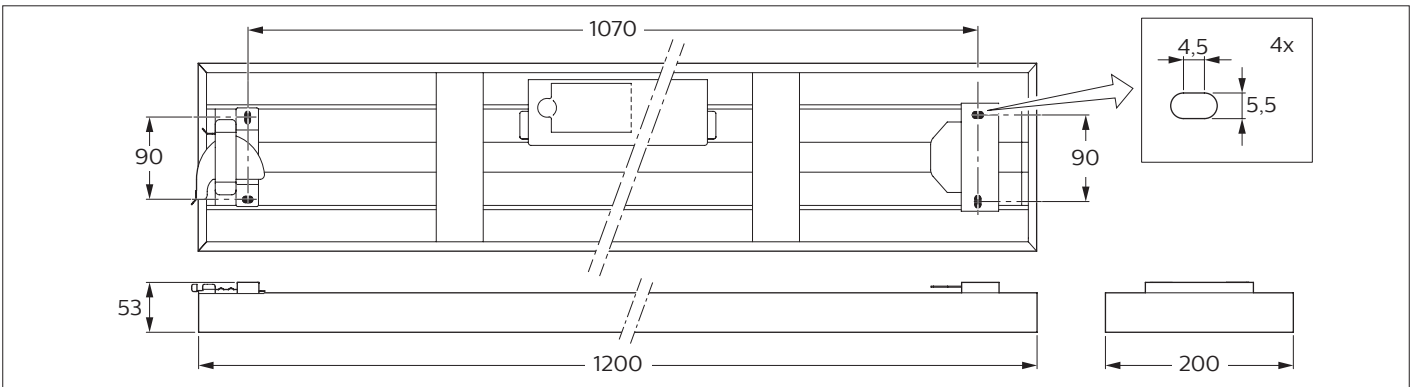
IK03

Max.  
40 °C  
Min.  
10 °C

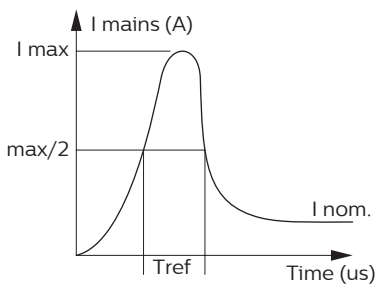
GLOW  
WIRE  
650 °C



	System lumen	CCT	Driver	P(W)	kg
SM060C LED34S/840 PSU W20L120 NOC	3400lm			34	2.62
SM060C LED40S/840 PSU W20L120 NOC	4000lm	4000K	PSU	40	2.62
SM060C LED34S/840 PSU W20L120 OC	3400lm			34	2.78



#### Inrush current



	LED34S	LED40S
	Electrical characteristics	
I <sub>max</sub> (A)	10.8	9,68
T <sub>ref</sub> (μs)	36	75
MCB	Luminaires Max.	
B-10A	15	15
B-16A	24	24
C-10A	25	25
C-16A	41	41



- The luminaire shall be installed by a qualified electrician and wired in accordance with the latest IEE electrical regulations or the national requirements.  
- The light source and driver contained in this luminaire shall not be replaced.



**ATTENTION**  
OBSERVE PRECAUTIONS  
FOR HANDLING  
ELECTROSTATIC  
SENSITIVE  
DEVICES

