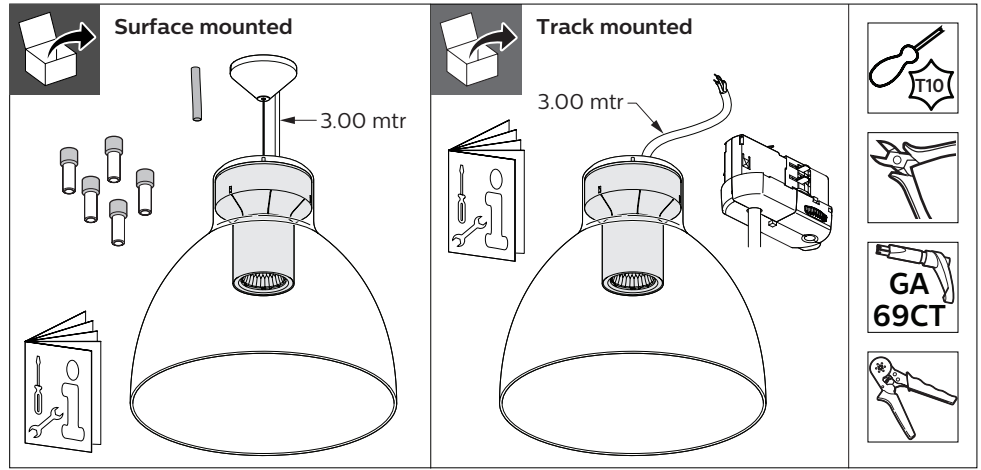
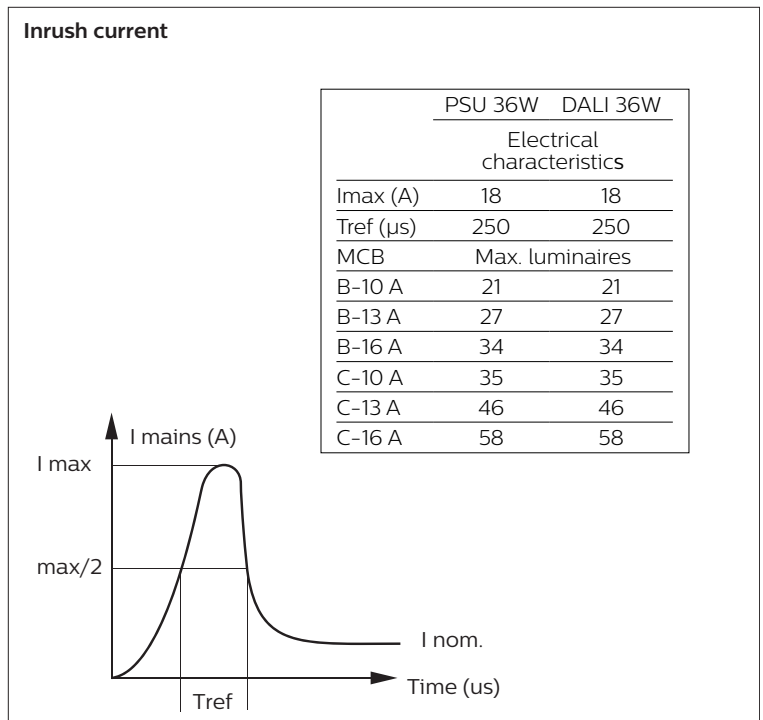
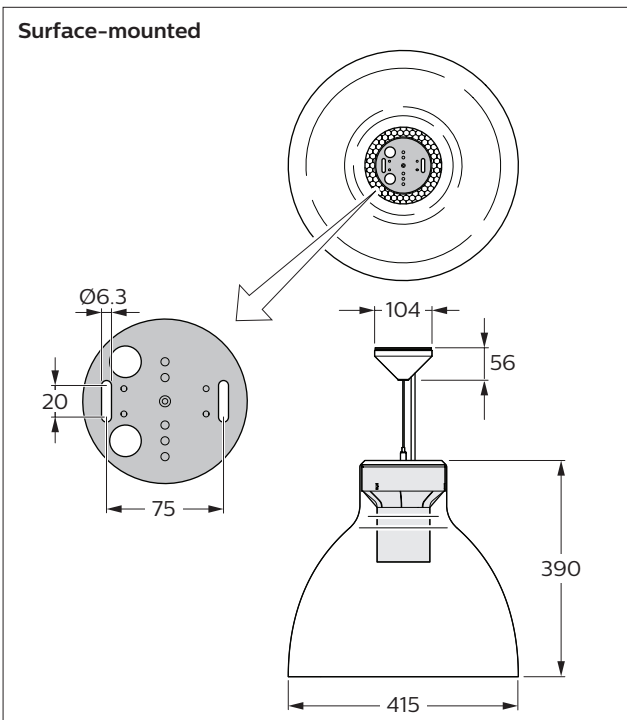


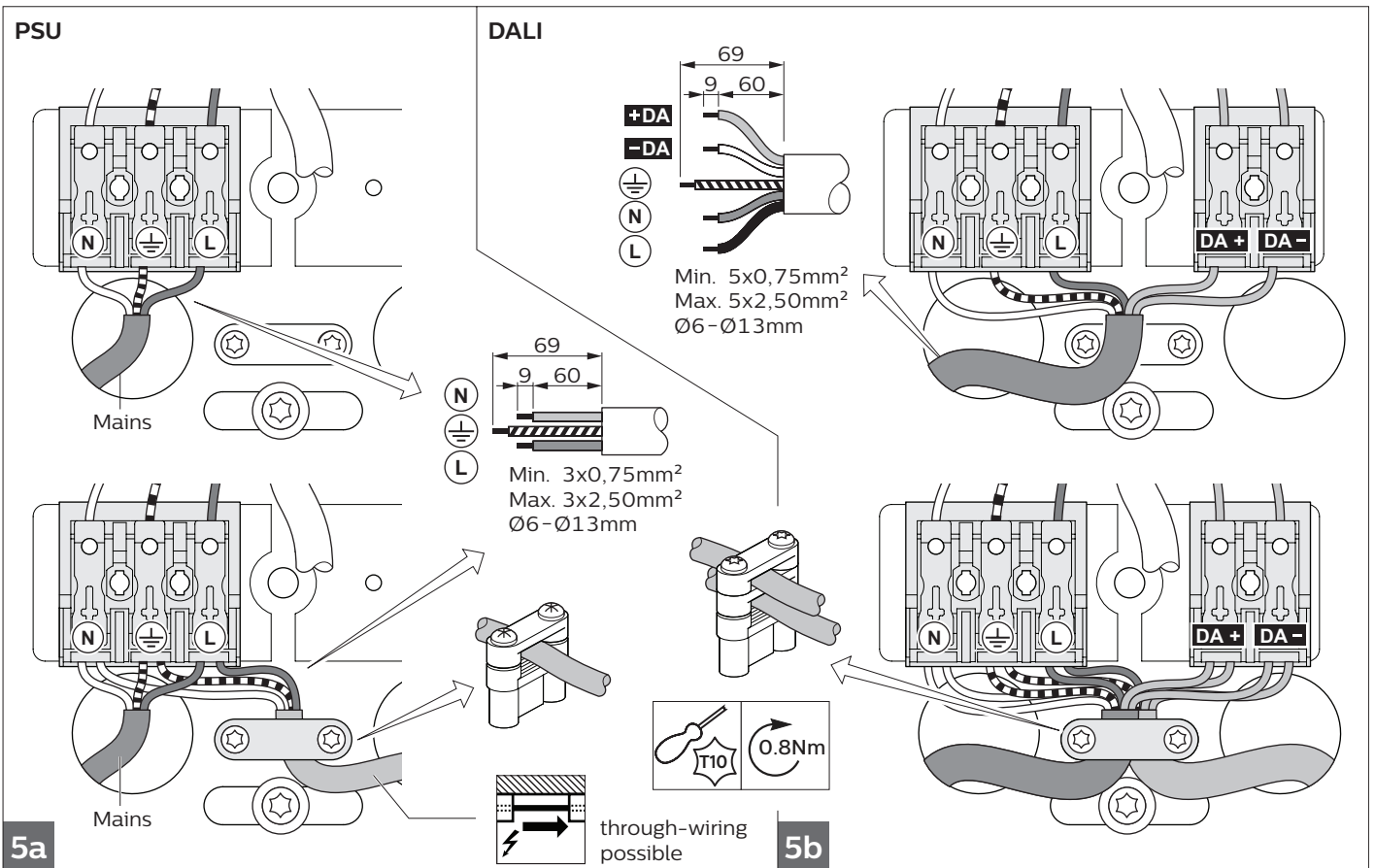
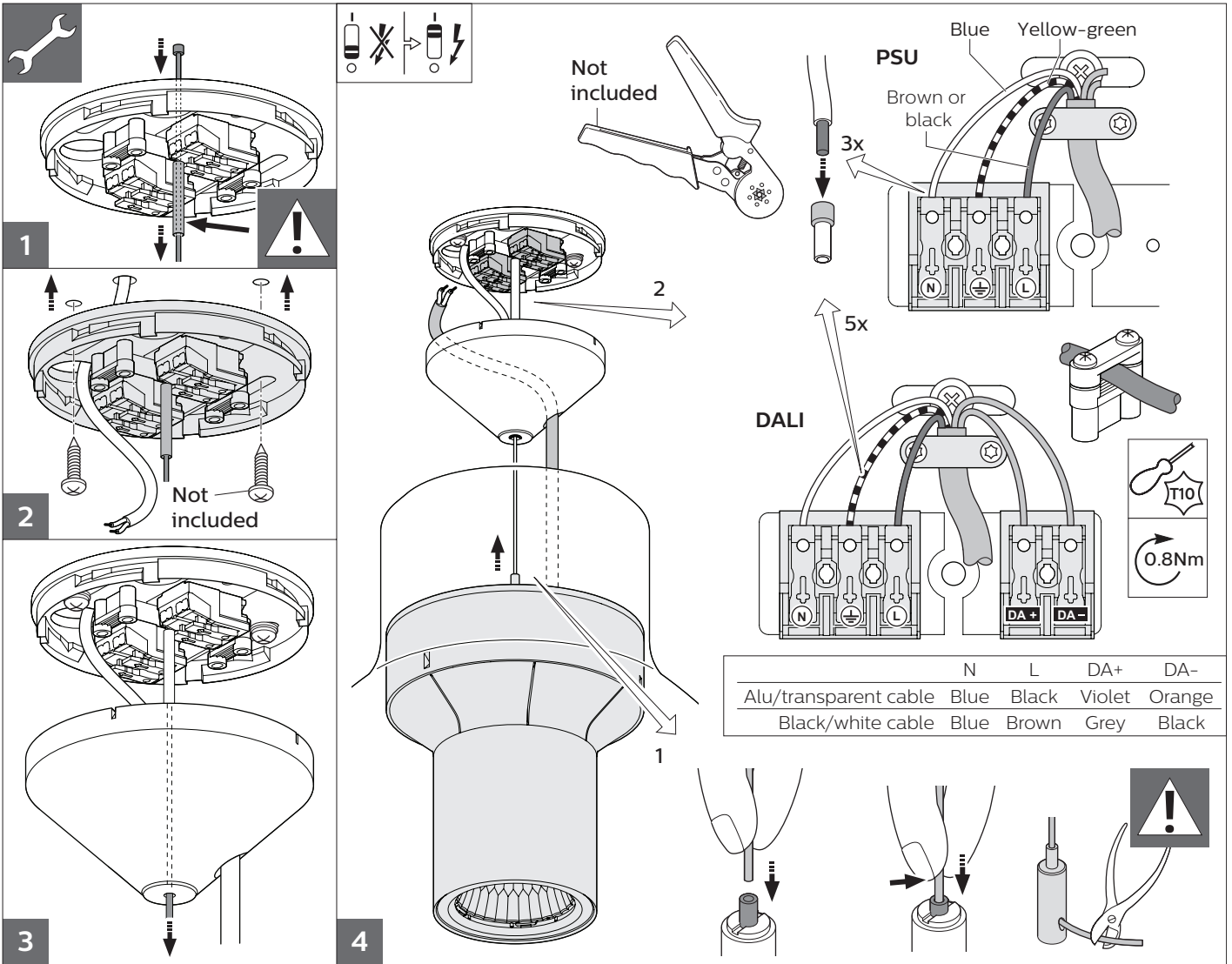
# PHILIPS

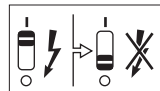
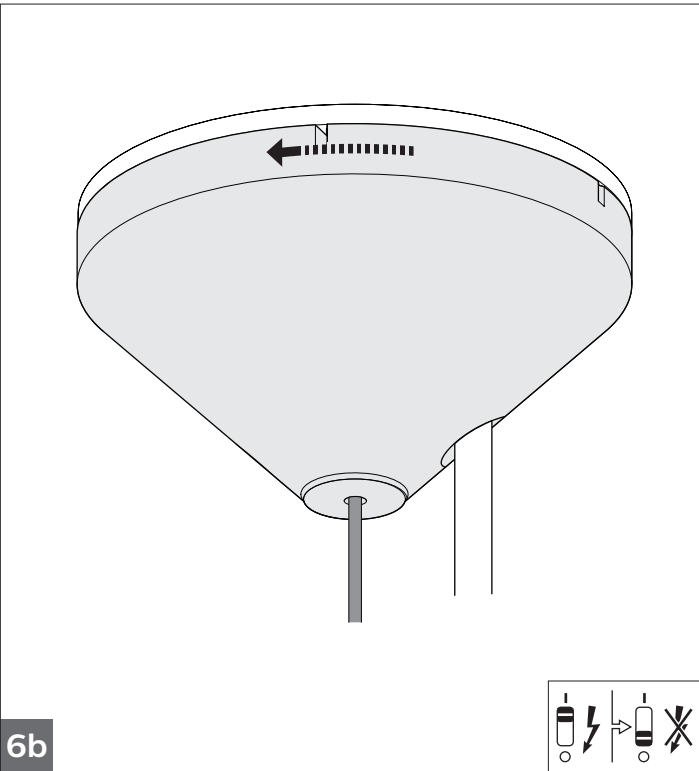
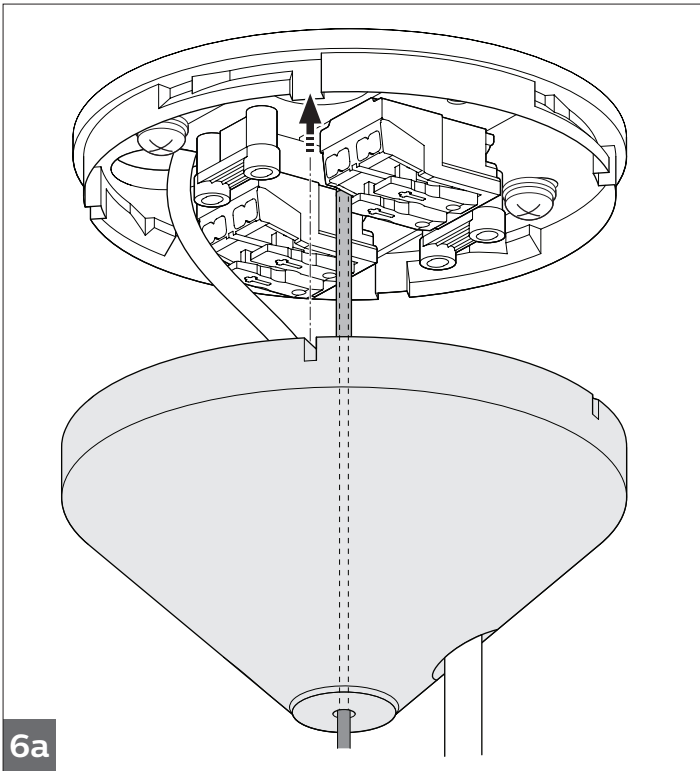
## Telecaster BA Series



	CCT (K)		Lumen 1700 Lm P (W)	Lumen 2200 Lm P (W)	Lumen 2700 Lm P (W)	Driver	Through-wiring
TC BA X XX/XXXXX MB TC BA X XX/XXXXX WB TC BA X XX/XXXXX VWB	827	1.7	18.7	23.1	24.7	PSU/PSD	Possible for Surface Mounted (S)
	830						
	840						
	PW930						
	PW940						
	PC930						
	FMT						
ROSE	20.8	-	-				
TC BA X XX/XXXXX WR TC BA X XX/XXXXX WR-B TC BA X XX/XXXXX WR-F TC BA X XX/XXXXX DF	827	2.2	20.4	25.7	29.4	PSU/PSD	Possible for Surface Mounted (S)
	830						
	840						
	PW930						
	PW940						
PC930	1.7	21.7	27.3	-			



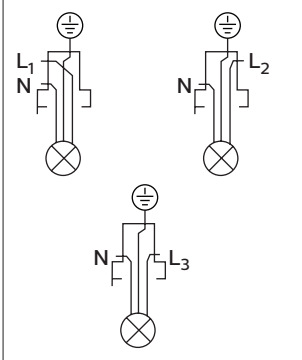




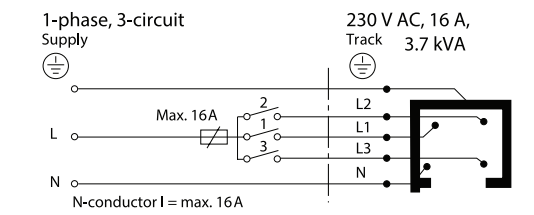
**Track version assemble**

**GLOBAL Trac connecting diagrams.**

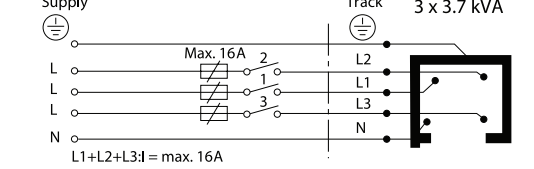
This product is designed for GLOBAL Trac. Please contact relevant product specialist for compatibility with other track types.



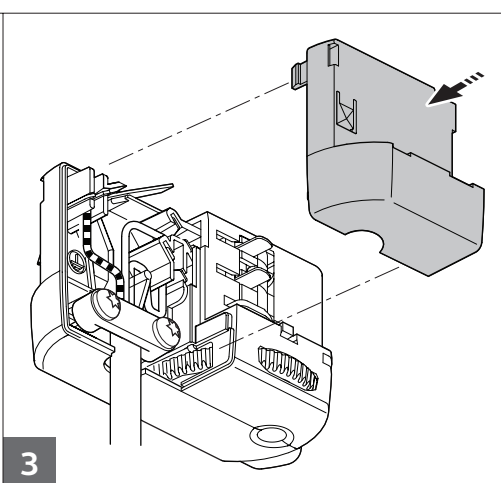
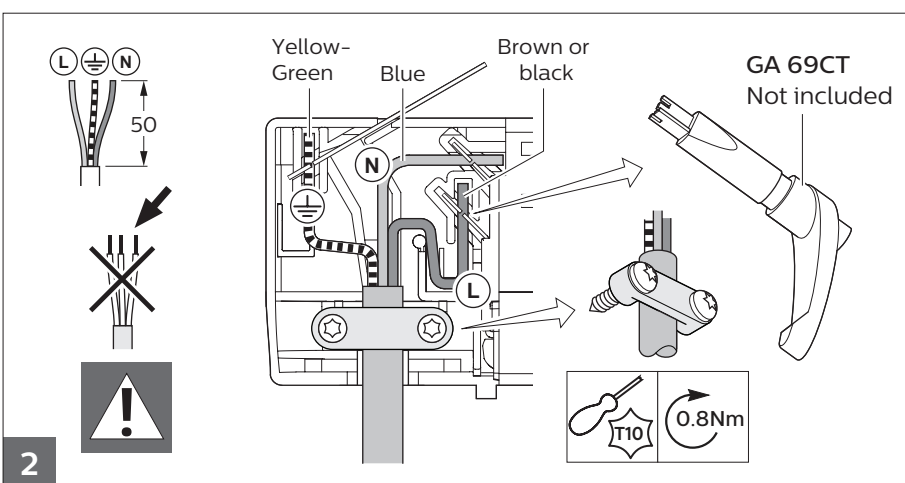
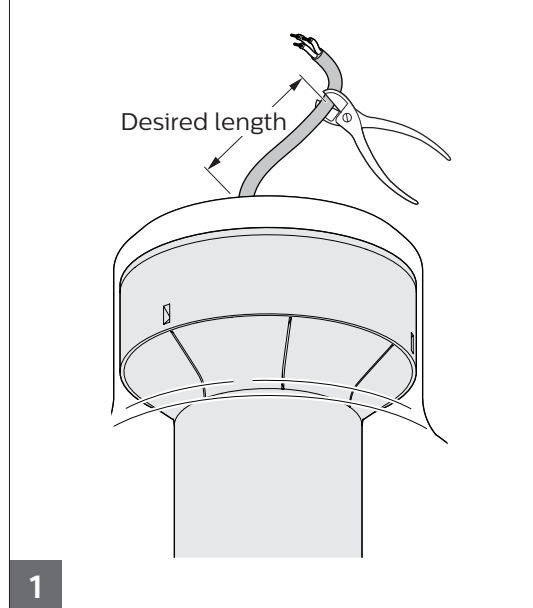
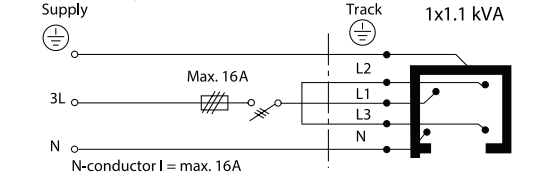
**A GLOBAL Trac Pro PSU GA69 230V, 6A**

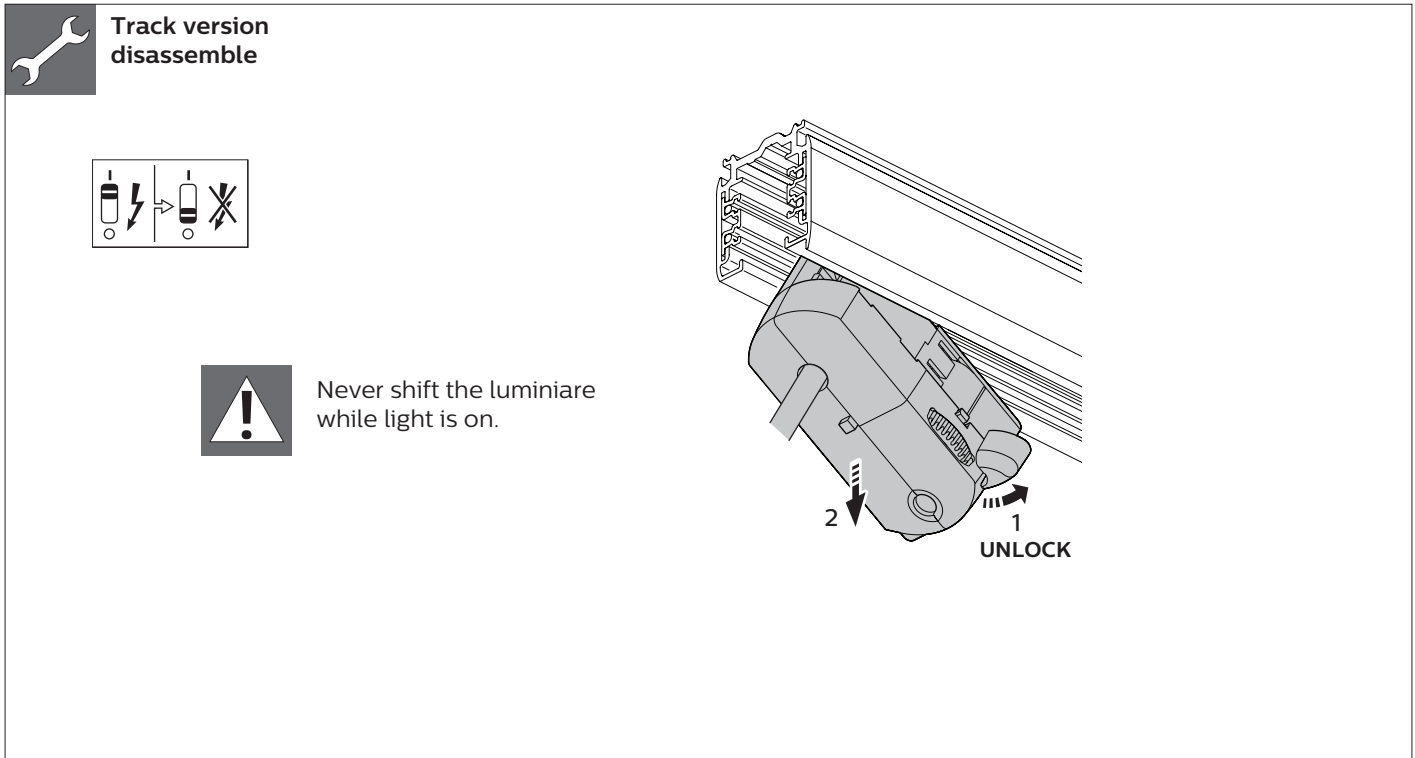
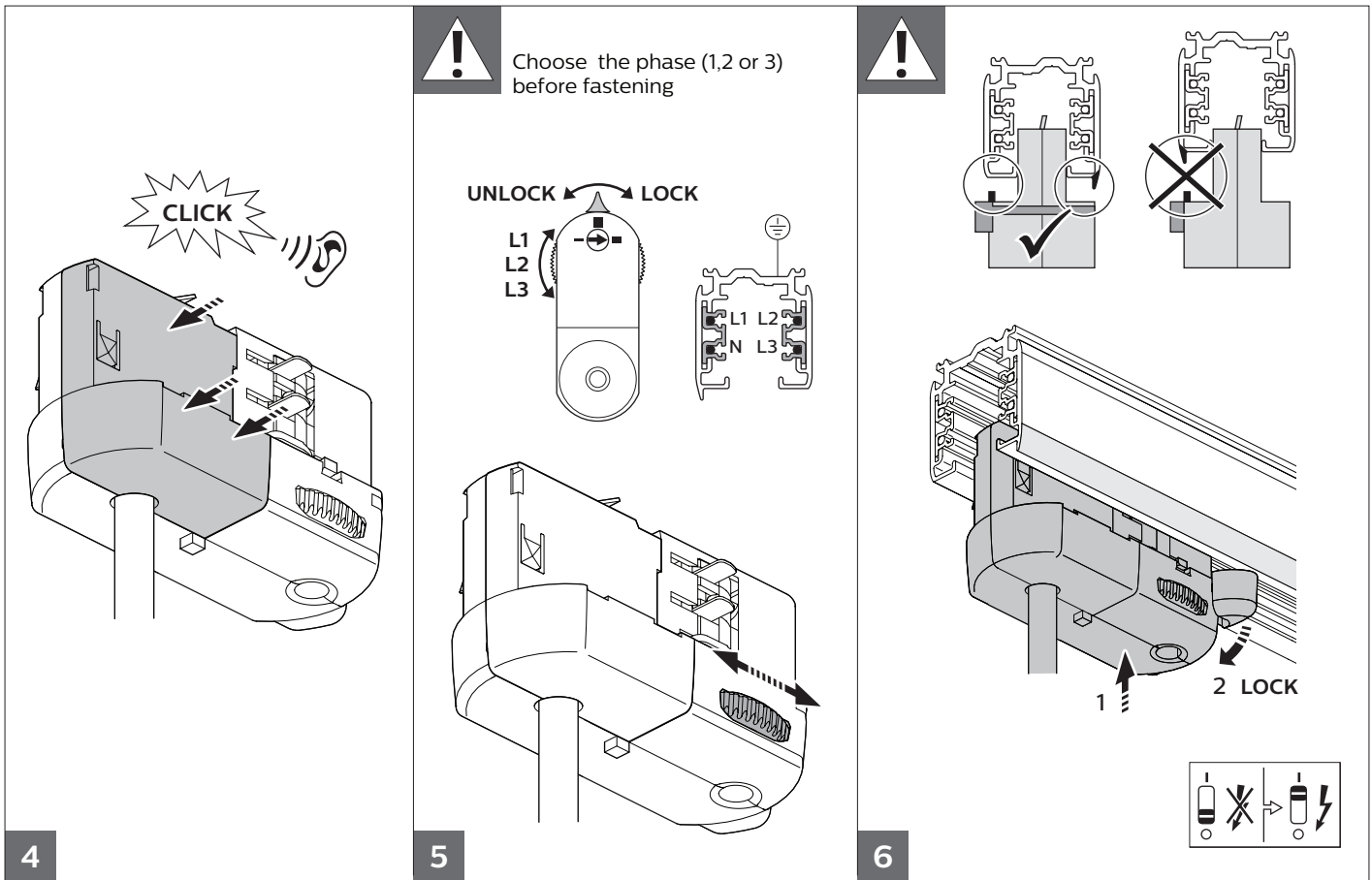


**B 3-phase, 3-circuit Supply**



**C 3-phase, 3-phase Supply**





- The luminaire shall be installed by a qualified electrician and wired in accordance with the latest IEE electrical regulations or the national requirements.
- This luminaire is not suitable for use as emergency lighting.
- The light source of this luminaire is not replaceable; when the light source reaches its end of life the whole luminaire shall be replaced.
- If the external flexible cable or cord of this luminaire is damaged, it shall be exclusively replaced by the manufacturer or his service agent or a similar qualified person in order to avoid a hazard.
- Clean with dry cloth.

**ATTENTION**  
OBSERVE PRECAUTIONS  
FOR HANDLING  
ELECTROSTATIC  
SENSITIVE  
DEVICES