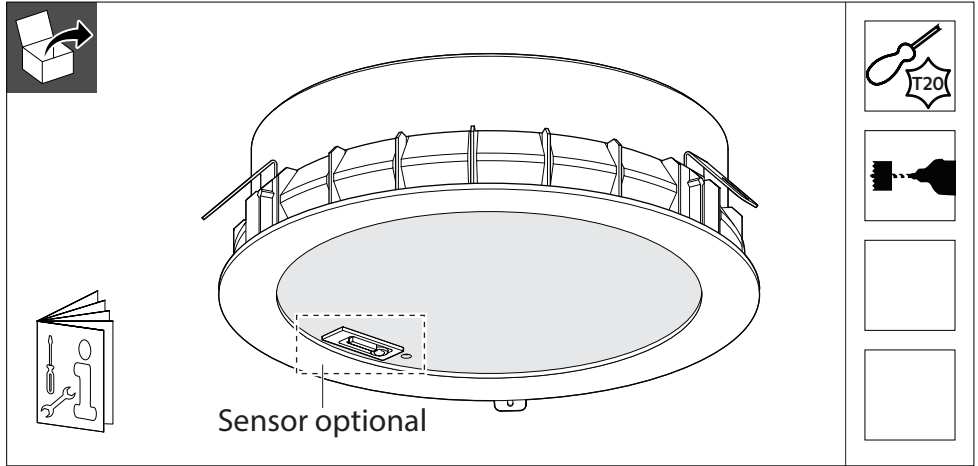


PHILIPS

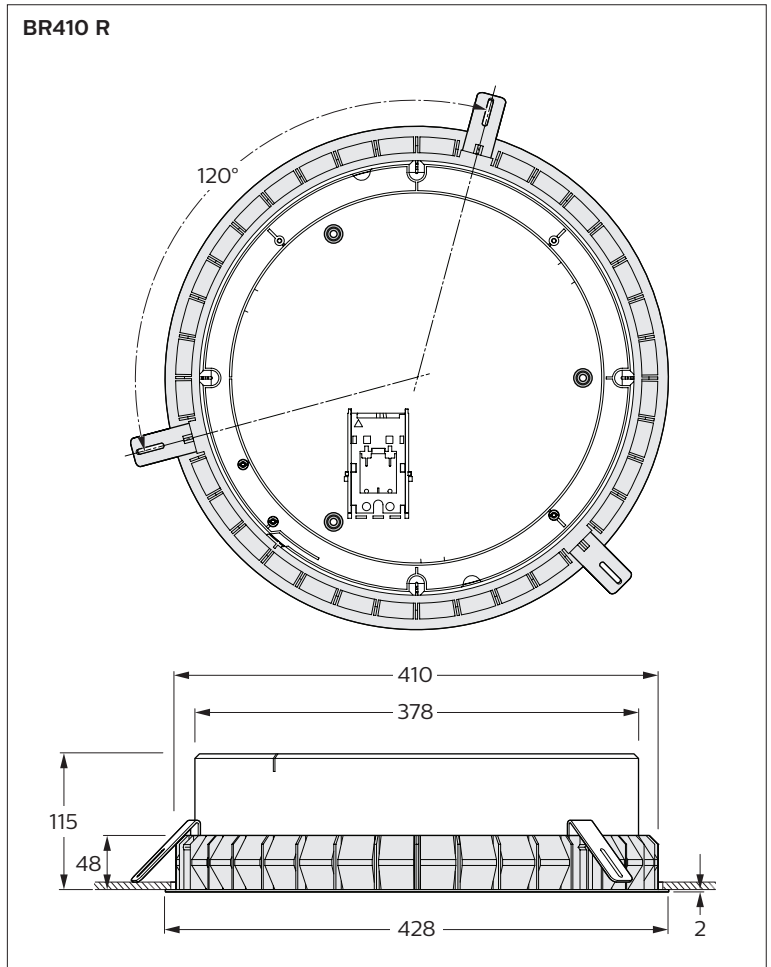
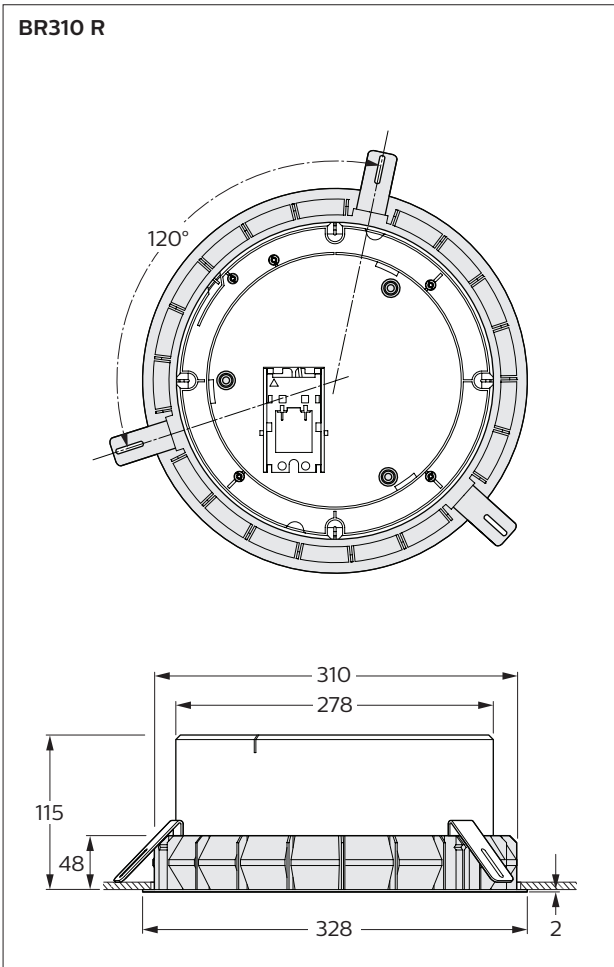
BR Series

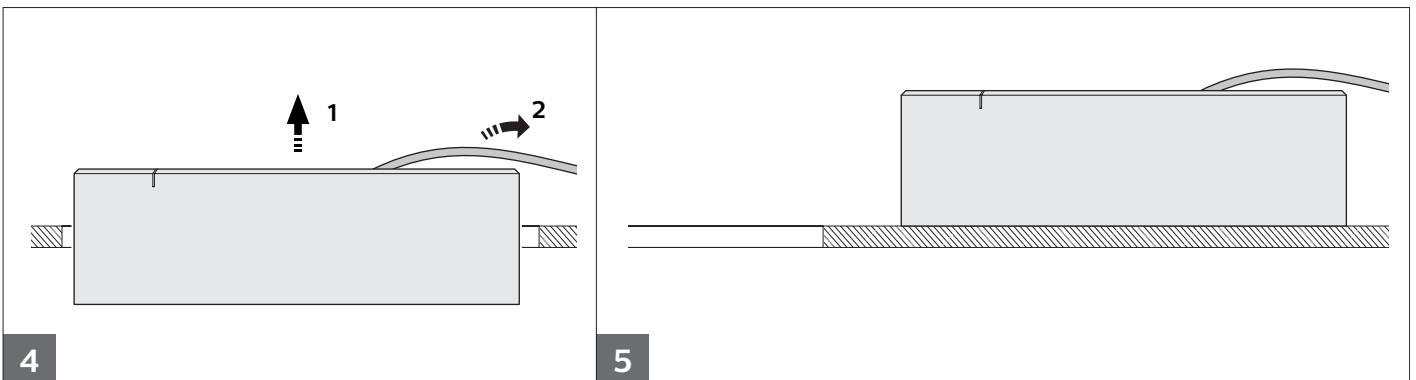
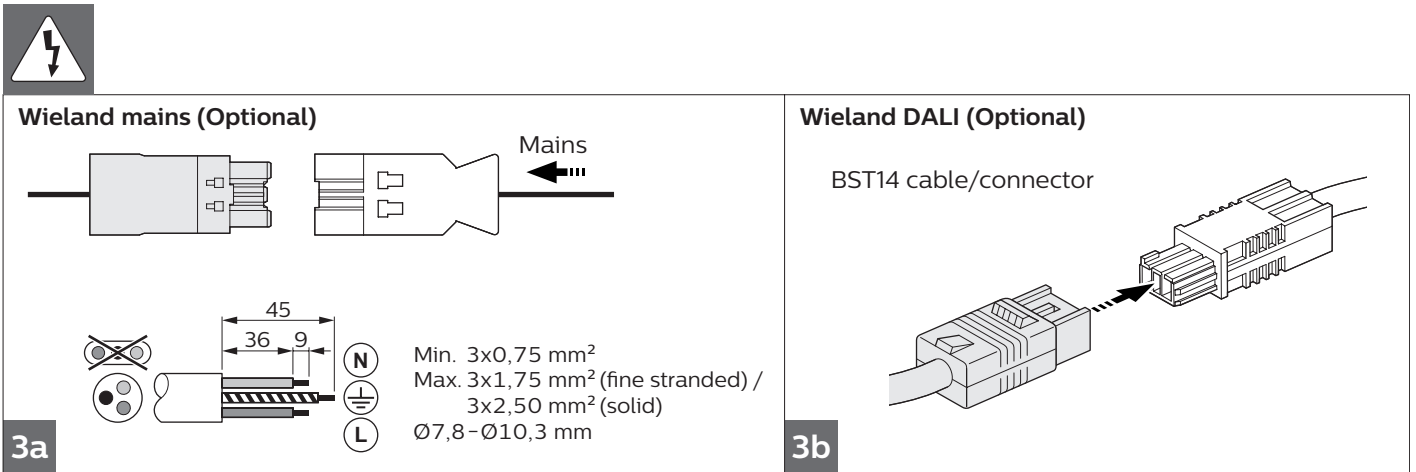
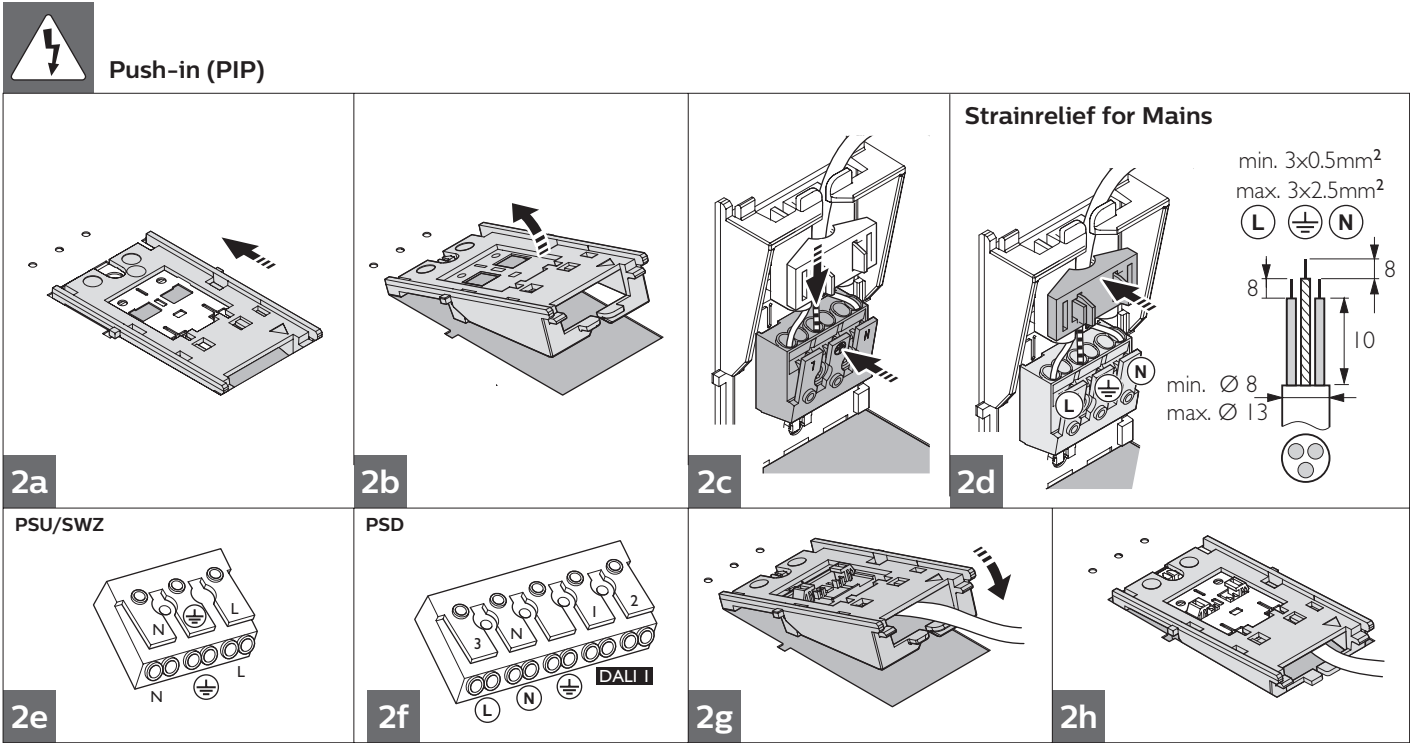
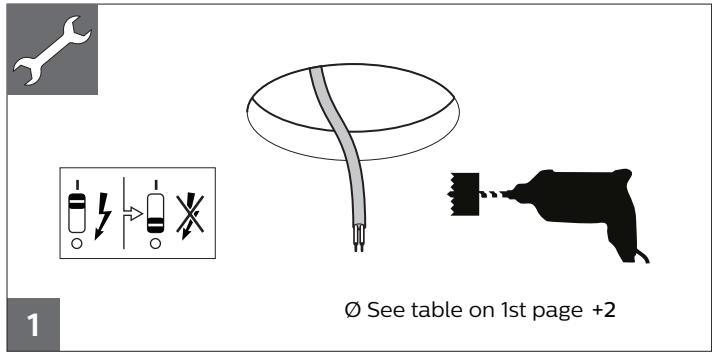
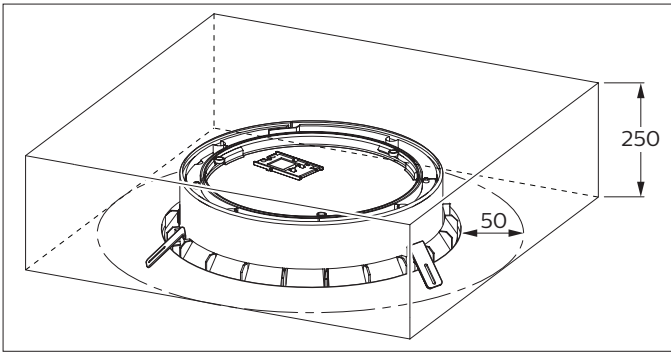
Recessed

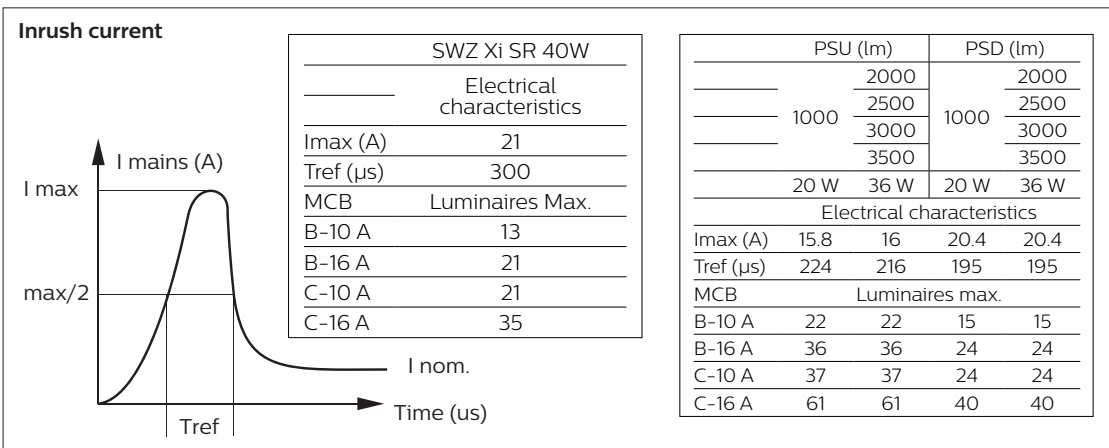
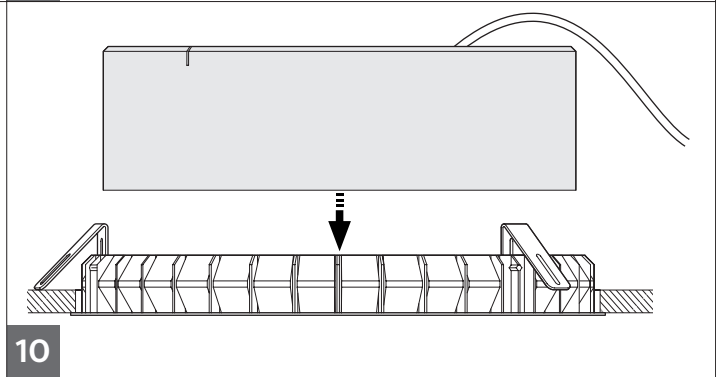
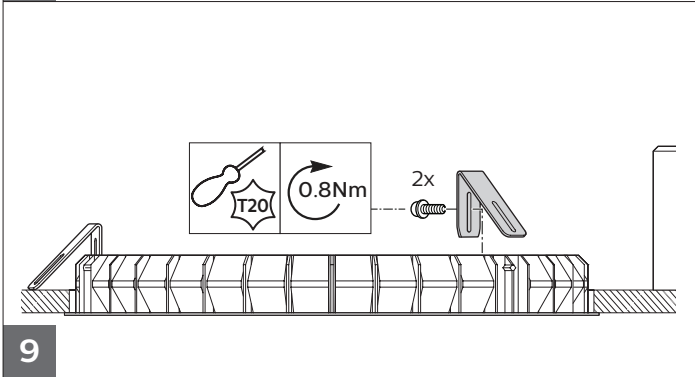
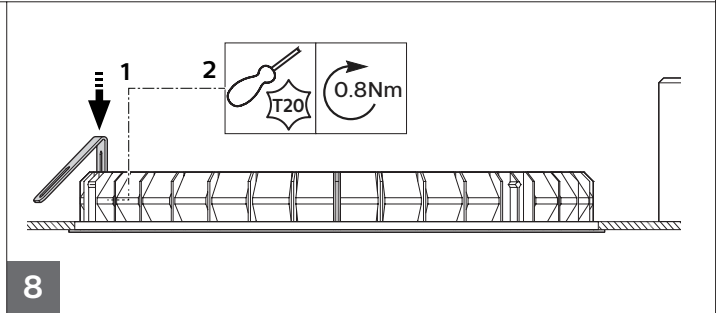
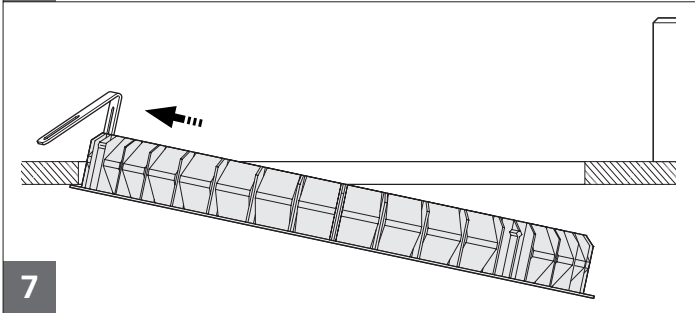
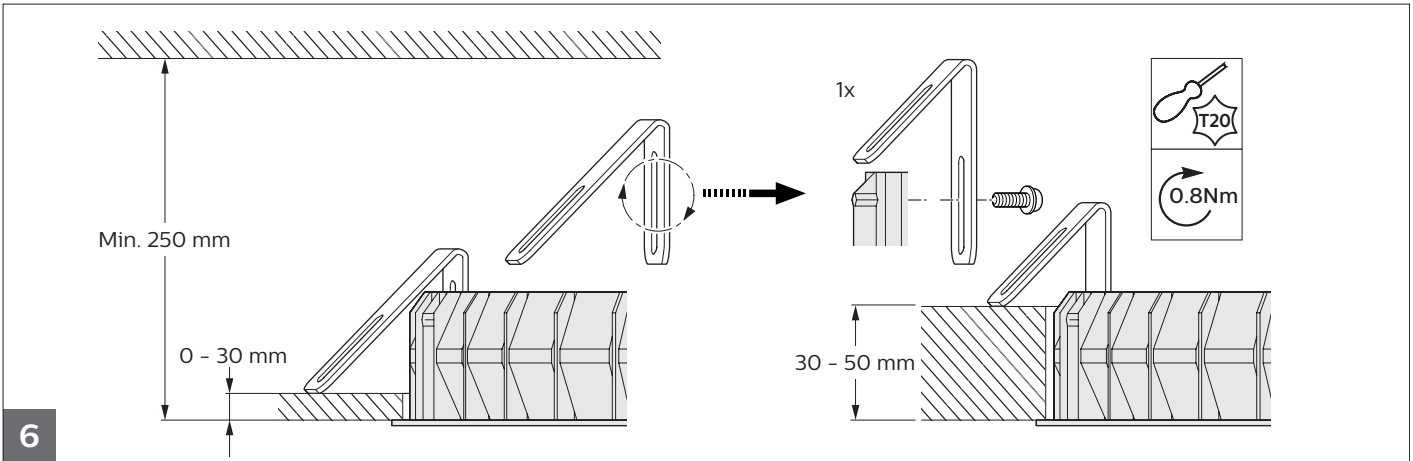


	Lumen (lm)	Optics	CCT	PSU (W)	PSD (W)	SWZ (W)*	Ø mm	kg
TC BR310 R	1000	PCO/ MLO	830/840/ 930/940	15	14	16	310	2.2
	2000			22	26	28		
TC BR410 R	2000			33	30	33	410	2.9
	2500			35	33	35		
	3000			37	34	37		
	3500			37	34	37		

* Standby power < 1W







SpaceWise (SWZ)
More information on installing and commissioning of SpaceWise:

!

- The luminaire shall be installed by a qualified electrician and wired in accordance with the latest IEE electrical regulations or the national requirements.
- The light source of this luminaire is not replaceable; when the light source reaches its end of life the whole luminaire shall be replaced.
- Clean with dry cloth.
- The luminaire shall, under no circumstance, be covered with thermal insulation matting or similar material.

ATTENTION
OBSERVE PRECAUTIONS FOR HANDLING ELECTROSTATIC SENSITIVE DEVICES



© 2020 Signify Holding.

All rights reserved. This document contains information relating to the product portfolio of Signify which information may be subject to change. No representation or warranty as to the accuracy or completeness of the information included herein is given and any liability for any action in reliance thereon is disclaimed. The information presented in this document is not intended as any commercial offer and does not form part of any quotation or contract. Philips and the Philips Shield Emblem are registered trademarks of Koninklijke Philips N.V.. All other trademarks are owned by Signify Holding or their respective owners.

Signify Holding.
The Netherlands