

THOMSON

Wireless Headphones

„Senior 4in1“

Casque sans fil

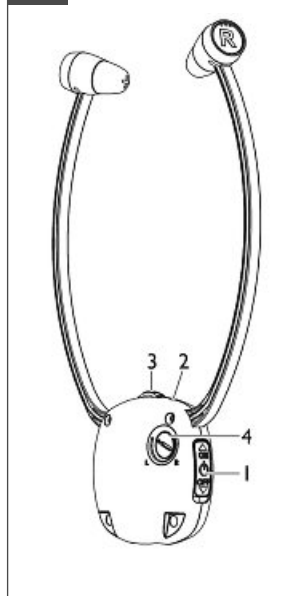
Schnurloser Kopfhörer



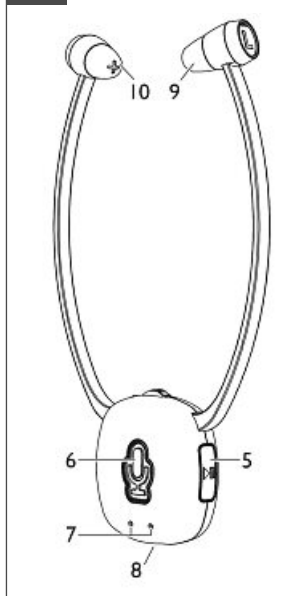
THOMSON

- GB** Operating Instructions
- F** Mode d'emploi
- D** Bedienungsanleitung
- E** Instrucciones de uso
- I** Istruzioni per l'uso
- NL** Gebruiksaanwijzing
- PL** Instrukcja obsługi
- H** Használati útmutató
- CZ** Návod k použití
- SK** Návod na použitie
- S** Bruksanvisning

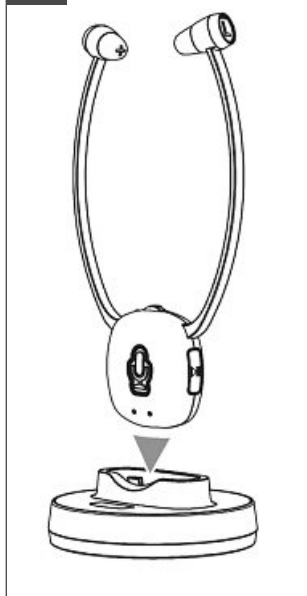
Pic. 1



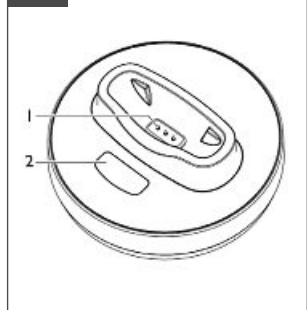
Pic. 2



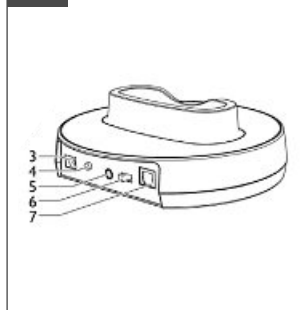
Pic. 7



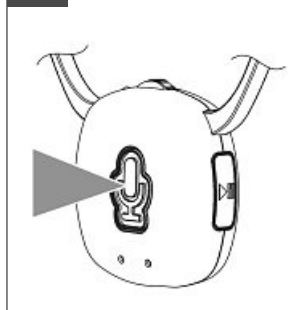
Pic. 3



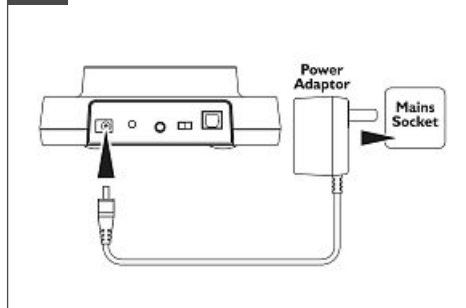
Pic. 4



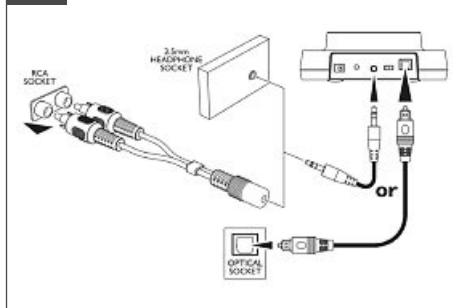
Pic. 8



Pic. 5



Pic. 6



Thank you for choosing a Thomson product. Take your time and read the following instructions and information completely. Please keep these instructions in a safe place for future reference. If you sell the device, please pass these operating instructions on to the new owner.

1. Explanation of Warning Symbols and Notes

Risk of electric shock

This symbol indicates product parts energized with a dangerous voltage of sufficient magnitude to constitute a risk of electric shock.

Warning

This symbol is used to indicate safety instructions or to draw your attention to specific hazards and risks.

Note

This symbol is used to indicate additional information or important notes.

2. Overview

Receiver/headphones – Fig. 1

1. On/off switch
2. LED signal indicator (operation, Bluetooth status or battery indicator)
3. Volume control (0 = lowest volume, 10 = maximum volume)
4. Balance control (R = right, L = left)

Receiver/headphones – Fig. 2

5. Button for Play / Pause / Accept call / Hang up
6. Button for Microphone / Bluetooth pairing
7. Integrated microphone
8. Headphone charging contacts
9. Left side of headphones (grey) with ball joint
10. Right side of headphones (red) with ball joint

Charging station/transmitter – Fig. 3

11. Transmitter charging contacts
12. LED signal indicator (operation/Bluetooth status)

Charging station/transmitter rear view – Fig. 4

13. Power supply connection (mains adapter with 5.5 V/550 mA)
14. "Pair" button for pairing (charging station with headphones)
15. "Audio IN" connection for analogue audio connection (3.5-mm stereo minijack/RCA connectors)
16. Input selector switch for audio connection


3. Package contents

- Headset receiver with built-in lithium polymer rechargeable battery
- Transmitter and charging station
- Plug-in power supply
- Analogue audio adapter cable (red/white) –
- 2x RCA to 3.5-mm stereo minijack

- Analogue audio cable (3.5-mm stereo minijack in blue on both ends)
- Optical audio cable (Toslink/ODT) in black
- 2 pairs of earpads

4. Safety Notes

Warning

- This product was designed specifically for persons with impaired hearing. Therefore, it is capable of producing unusually high volumes.
- Before using this product, persons with normal hearing should turn the volume of the playback device down to the lowest level!
- This device transmits signals at a frequency of 2,400 MHz. Since this product may interfere with the operation of pacemakers, persons with pacemakers should consult a doctor before purchasing this product.
- High sound pressure level!
- There is a risk of hearing damage.
- To prevent hearing loss, avoid listening at high volume levels for long periods.
- Using this product limits your perception of ambient noise. For this reason, do not operate any vehicles or machines while using this product.
- Always keep the volume at a reasonable level. Loud volumes, even over short periods, can cause hearing loss. 

- Protect the product from dirt, moisture and overheating, and only use it in a dry environment.
- Do not use the product in the immediate vicinity of heaters or other heat sources or in direct sunlight.
- Use the item only in moderate climatic conditions.
- Keep this product, as all electrical products, out of the reach of children!
- Do not operate the product outside the power limits given in the specifications.
- Do not use the product in moist environments and avoid splashes.
- Do not place any containers filled with liquid, such as vases, on top of the product or in its immediate vicinity. The container may tip over and the liquid spilled may compromise electrical safety.
- Keep the packaging material out of the reach of children due to the risk of suffocation.
- The battery is integrated and cannot be removed.
- Never open, damage or swallow batteries or allow them to enter the environment. They can contain toxic, environmentally unfriendly heavy metals.
- Do not tamper with or damage/heat/disassemble the batteries/rechargeable batteries.
- The product is intended for private, non-commercial use only.
- Use the product for its intended purpose only.
- Children should be supervised to ensure that they do not play with the device.

- Do not use the product in areas where the use of electronic devices is not permitted.
- Lay all cables so that they do not pose a tripping hazard.
- Do not bend or crush the cable.
- Do not drop the product and do not expose it to any major shocks.
- Dispose of packaging material immediately according to locally applicable regulations.
- Do not modify the product in any way. Doing so voids the warranty.

Risk of electric shock



- Do not open the device or continue to operate it if it becomes damaged.
- Do not use the product if the AC adapter, adapter cable or power cable is damaged.
- Do not attempt to service or repair the product yourself. Leave any and all service work to qualified experts.

5. Introduction

These DIGITAL WIRELESS STETHOSET HEADPHONES operate using the latest wireless Bluetooth technology and also enable older people to enjoy clean, crystal-clear sound while watching TV and listening to music at home. At the same time, they provide the option of also connecting a smartphone or tablet (multipoint = two devices can be connected with the headphones simultaneously).

Simply connect the transmitter with the desired audio source: a DVD player, CD player, TV set, hi-fi system, smartphone or tablet. You'll be enjoying vivid, mind-blowing sound in minutes through extremely simple plug/pair & play setup – no complicated wiring or installation required. It doesn't matter whether you connect the headphones using an analogue connector (RCA or stereo minijack), digital (optical) connector, or a direct wireless connection (via Bluetooth).

6. General functioning

- 2.4-GHz wireless Bluetooth technology
- Charging station with LED display
- Product automatically powers off (when the headphones are placed on the charging station) when connected directly via Bluetooth.
- Mute feature for speech capture with an internal microphone, or automatic switching to the smartphone/tablet when multi-paired and accepting a call
- Quick-charging system (headphones fully charged in approx. 2 to 3 hours).
- With individual volume control
- Left/right balance adjustment
- Play/Pause and Accept call button on the chin bar to pause sound or switch to smartphone/tablet
- LED status indicator for operating/battery indicator and for showing the status of the Bluetooth connection/pairing
- Selector switch for the analogue or digital connection to the audio source on the transmitter/charging station
- Ear pads in two different sizes for custom fit
- When connected to a smartphone/tablet: Battery charge indicator (depending on smartphone/tablet function)

7. Technical specifications

Transmitting mode	wireless Bluetooth technology
Carrier frequency	2.4 GHz
Operating voltage of transmitter	5 V, 550 mA
Operating voltage of receiver	3.7 V, 380 mA lithium polymer rechargeable battery
Frequency range	20 Hz – 20 kHz
Distortion	< 1%
Signal-to-noise ratio	> 70 dB
Range	10 m
Talking time/music	Max. volume: 5h Medium volume: 6h Min. volume: 8h (with fully charged battery)
Standby	250 h
Bluetooth technology	Bluetooth V4.1
Bluetooth profile	HSP, HFP, A2DP, AVRCP, SPP
Battery	Integrated lithium polymer rechargeable battery 3.7 V
Battery capacity	380 mA
Frequency band / frequency bands	2,402 – 2,480 MHz
Maximum emitted transmitting power	4 dBm

8. Transmitter installation, fig. 4 + 5 + 6

Warning



- Only connect the product to a socket that has been approved for the device. The socket must be installed close to the product and easily accessible.
- Disconnect the product from the network using the power button – if this is not available, unplug the power cord from the socket.
- When using a multi-socket power strip, make sure that the sum power draw of all the connected devices does not exceed its maximum throughput rating.
- If you will not be using the product for a long period of time, disconnect it from mains power.
- Connect the power supply to the power socket on the rear side of the transmitter (fig. 5). To aid in finding the correct socket on the charging station, it is coloured yellow to match. It is connected to the power supply in a later step.

You now have 3 options for connecting:

- A) Analogue audio connection, e.g. of a TV/hi-fi via 3.5-mm stereo minijack or an RCA adapter cable
- B) Optical digital connection of e.g. a TV/hi-fi/soundbar via Toslink cable
- C) Direct Bluetooth connection of a TV/hi-fi/soundbar to the stethoset headphones

Attach cables according to the type of connection you wish to use.

8.1 Wired connection options

8.1.1 Analogue audio connection via stereo minijack or RCA connector (fig. 4 + 6)

- The stereo minijack is often used to connect the headphones to a TV/hi-fi set. Simply connect one end of the stereo minijack cable to the headphone output of the TV set and the other end to the socket on the transmitter/charging station. To aid in finding the correct socket on the charging station (labelled no. 5 in fig. 4), it is coloured blue to match.
- RCA cables are often used for external audio outputs of e.g. set-top boxes, hi-fi or TV sets to provide a direct audio signal (usually indicated by sockets coloured white and red). Connect the stereo minijack cable (blue plug) and the RCA adapter cable (red/white plugs): Insert the RCA plugs into the corresponding audio source (e.g. hi-fi, set-top box or TV). The colours indicate the right and left channels. Red always indicates the right channel. Connect the other end (blue stereo minijack cable) to the socket of the transmitter/charging station. To aid in finding the correct socket on the charging station, it is coloured blue to match (socket no. 5 in fig. 4).

8.1.2 Digital audio connection via Toslink/ODT cable:

Connection by digital optical audio cable provides the highest sound quality of any cable connection (with no delay between the image and the sound). Remove the dust protector caps from both ends of the cable. Then connect one end to the TV/hi-fi/soundbar and the other end to the transmitter/charging station. Please note that the plugs have guides. To aid in finding the correct socket on the charging station (labelled no. 7 in fig. 4), it is coloured black to match.

If using a wired connection (section 8.1.1 or 8.1.2) to the transmitter/charging station, please now select your desired input source (switch no. 6 in fig. 4).

8.1.3 First-time setup of headphones with the transmitter/charging station

Warning



- Use only suitable charging devices for charging.
- As a rule, do not use charging devices that are defective and do not try to repair them yourself.
- Do not overcharge the product or allow the battery to completely discharge.
- Avoid storing, charging or using batteries in extreme temperatures.
- When stored over a long period of time, batteries should be charged regularly (at least every three months).

Note



Depending on your TV set, it may be muted when using the 3.5-mm audio headphone jack. You may need to adjust the headphone output volume in the configuration menu of the TV (for use with the wireless headphone system, we recommend setting the headphone volume to approx. 80 to 90 percent). The speaker volume of the TV usually remains unaffected by this setting. If not, it may need to be adjusted.



Note



Before using the headphones for the first time, make sure that the battery is fully charged. Charge the battery for at least 3 hours before the first use. Make sure that the headphones are switched off during charging.

8.1.3.1 Enabling and connecting paired devices (transmitter/charging station to stethoset headphones)

Ensure that when using the headphones for the first time, they are not connected to the charging station!

Both the transmitter/charging station and the headphones are already paired/synchronised when delivered. Now switch the stethoset headphones ON (switch labelled no. 1 in fig. 1). The LED on the stethoset headphones (fig. 1, no. 2) starts flashing blue slowly. Now connect the mains adapter to the mains socket (fig. 5). The transmitter/charging station first flashes quickly (fig. 3, LED no. 2). Then the flashing slows and eventually remains steadily lit once the connection has been successfully established.

Before putting on the headphones for the first time, first turn the volume down. Now you can enjoy your analogue audio source (TV/hi-fi or other).

8.1.3.2 Pairing the transmitter and receiver (charging station and stethoset headset)

If your transmitter and receiver arrive unpaired (with both LEDs on the charging station and the chin bar flashing), then manual pairing is required.

- To do this, first insert the network cable into the socket on the charging station (fig. 4, socket no. 3 in yellow).
- Make sure that the headphones are switched off (fig. 1, switch no. 1 set to OFF).
- Now switch the headphones on (fig. 1, switch no. 1 set to ON).
- Press the microphone/pairing button (fig. 2, button no. 6) for approx. 7 seconds. The LED begins to flash BLUE quickly.

Note



If the LED is lit green, it indicates that you did not press the button for long enough. Repeat the procedure.

- Now insert the mains cable of the transmitter into the socket of the charging station (fig. 4, socket no. 3 in yellow) and press the PAIR button (fig. 4, button no. 4) for approx. 1 second.
- Wait for a few seconds (up to 15 seconds) until the transmitter and receiver have been synchronised and paired. When pairing has succeeded, both LEDs remain steadily lit in BLUE.

- Now you can enjoy your analogue audio source (as described in section 8.1.3.1).

Note



- Please note that the system shuts off automatically if the transmitter and headphones are not paired within two minutes.
- The transmitter stops transmitting automatically when the headphones are placed in the transmitter/charging station cradle. To reconnect, the headphones must be disconnected from the station and the on/off switch must be switched off or switched back on (coupling now proceeds automatically).

8.2 Wireless connection options (via Bluetooth)

You have the option to connect the headphones directly to your TV/hi-fi/soundbar or smartphone/tablet via Bluetooth (provided your device is equipped with Bluetooth technology). Only this method permits the additional feature of making calls using the accept/end call function.

8.2.1.1 Bluetooth initial pairing

Note: Pairing



- Make sure that your Bluetooth-capable terminal device is on and Bluetooth is activated.
- Make sure that your Bluetooth-capable terminal device is visible for other Bluetooth devices.
- For more information, please refer to the operating instructions of your terminal device.

Note: Bluetooth connection with TV/hi-fi/soundbar or smartphone/tablet



- Ensure that your device (TV/hi-fi/soundbar/smartphone or other) is compatible with the Bluetooth stethoset headphones.
- Check whether you must carry out the pairing procedure using the Sound/Audio menu or using the Connection menu. A connection to other accessories, such as keyboards, is thus prevented.
- For more information, please refer to your television's operating instructions. Your terminal device must also support the individual functions (in particular, it must support Bluetooth profiles).
- The headphones and the terminal device should be no further than one metre apart. The shorter the distance, the better. Your terminal device must also support the individual functions (in particular, it must support Bluetooth profiles).
- Make sure that the headphones are charged.
- First ensure that the transmitter/charging station is disconnected from the mains (fig. 4, socket no. 3 in yellow).
- Make sure that the headphones are switched off (fig. 1, switch no. 1 set to OFF).
- Now switch the headphones back on (fig. 1, switch no. 1 set to ON).

- Press the microphone/pairing button (fig. 2, button no. 6) for approx. 7 seconds. The LED begins to flash BLUE quickly. The headphones are searching for a Bluetooth connection.

Note



If the LED is lit green, it indicates that you did not press the button for long enough. Repeat the procedure.

- Now open the Bluetooth settings on your terminal device (TV, hi-fi, smartphone or other) and search for devices until "WHP6309BT" appears in the list.
- Select "WHP6309BT" and wait until the headphones are listed as connected in the Bluetooth settings on your terminal device. The LED on the headphones flashes slowly in green when no sound is playing or steadily in blue during playback.
- You can now use the headphones.
- Please remember to adjust the volume of a paired Bluetooth device on the device itself. First reduce the volume of the terminal device (e.g. TV/smartphone) to one third of the maximum volume (to avoid hearing damage), and then turn the volume on the headphones up to maximum.

Note – Bluetooth password



Some terminal devices require a password in order to connect to another Bluetooth device.

- If your terminal device requests a password for connection to the headphones, enter 0000.

8.2.1.2 Automatic Bluetooth connection (after successful pairing)

The stethoset headphones connect to previously paired devices automatically when switched on (fig. 1, switch no. 1 set to ON)

8.3 Multi-point pairing (wired connection in combination with wireless Bluetooth connection)

In addition to connecting the stethoset headphones to a TV or hi-fi with a cable, you can also connect them wirelessly. For example, this allows you to accept calls via your smartphone while watching TV.

Note



To enable this, the wireless headphone system WHP6309BT must already have an active wireless (Bluetooth) connection as described in section 8.2 to a terminal device (e.g. a smartphone).

- Now switch off the wireless connection on the terminal device (Bluetooth set to OFF e.g. on the smartphone).
- Disconnect the mains cable from the socket on the charging station (fig. 4, socket no. 3 in yellow).
- Make sure that the headphones are switched off (fig. 1, switch no. 1 set to OFF).
- Now switch the headphones on (fig. 1, switch no. 1 set to ON).
- Press the microphone/pairing button on the chin bar (fig. 2, button no. 6) for approx. 7 seconds. The LED begins to flash BLUE quickly.

Note



If the LED is lit green, it indicates that you did not press the button for long enough. Repeat the procedure.

- Now insert the mains cable of the transmitter back into the socket of the charging station (fig. 4, socket no. 3 in yellow) and press the PAIR button once (fig. 4, button no. 4). The LED on the charging station flashing quickly in BLUE.
- Wait for a few seconds (up to 15 seconds) until the transmitter and receiver have been synchronised and paired. When pairing has succeeded, both LEDs remain steadily lit in BLUE.
- Please note that the system shuts off automatically if the transmitter and headphones are not paired within two minutes. Now make sure the connection is active by starting playback on the audio source (TV/hi-fi).
- Next, activate Bluetooth on the terminal device (e.g. smartphone Bluetooth ON) and select **the previously paired** Bluetooth connection "WHP6309BT".
- Now both the wired connection and the wireless Bluetooth connection are established (similarly to multi-pairing).
- Calls can be accepted while e.g. watching TV.

8.4 Charging, fig. 7

Before recharging, make sure that the headphones are switched off (fig. 1, switch no. 1 set to OFF).

Place the headphones on the transmitter station and make sure that the charging contacts are touching the charging pins. Charging begins automatically. The LED indicator flashes slowly in GREEN (fig. 1, LED no. 2) during charging. When the battery is fully charged, the status LED remains steadily lit in GREEN. A fully charging process takes approx. 2 hours.

Note



To prevent damage to the batteries, always switch off the headphones when they are not in use. Before using them for the first time, the batteries should be fully charged. To guarantee an acceptable charge, the batteries should initially be charged for 3 hours. Make sure that the stethoset headphones are switched off during charging.

8.5 Additional functions

8.5.1.1 Using the microphone and general notes on pausing (fig. 2, button no. 6) + LED (fig. 1, LED no. 2)

Thanks to an integrated microphone, you have the option of having ambient sounds (e.g. the doorbell or conversations) re-produced over the headphones (LED lit GREEN) while listening to an audio source (TV/hi-fi).

Note

Please note that the microphone is very sensitive. Be careful to avoid hearing damage!



Pressing the Play/Pause button at any time pauses the audio (fig. 2, button no. 5). Please note that the LED on the headphones starts flashing slowly in GREEN (during playback, it remains steadily lit in BLUE).

8.5.1.2 Using the microphone for phone calls (Bluetooth with smartphone/tablet, fig. 2, button no. 5) + LED (fig. 1, LED no. 2)

With an active wireless Bluetooth connection to a smartphone or tablet, you can press the Play/Pause button (fig. 2, button no. 5) to accept calls and speak through the microphone (provided this is supported by the terminal device). When a call comes in, the LED flashes green/blue, and during a call, it remains lit blue. Any running audio playback is paused until the conversation is ended.

8.5.1.3 Balance control (fig. 1, control no. 4)

Using the controller, you can balance out a hearing sensitivity difference between the right and left.

8.5.1.4 Note on battery charge level (stethoset headphones)

When the battery charge level of the stethoset headphones is low, the LED (fig. 1, LED no. 2) starts flashing slowly in BLUE.

8.6 Troubleshooting

8.6.1 No sound

- Check that the power supply plug is fully inserted into the mains socket and the other end is properly connected to the power supply socket on the transmitter.
- Make sure that the power on/off switches on both the transmitter and the headphones are in the ON position.
- The battery in the headphones may have insufficient remaining charge. Charge the battery.
- Check that your TV, hi-fi system or audio source is switched on and a channel is correctly configured to send an audio signal.
- The output volume of the audio source may be too low. Adjust the volume accordingly.
- Increase the volume using the control on the headphones.
- Is the Pause button on the headphones activated (LED on the headphones flashing slowly in GREEN)?
- The connected audio/video device may not be in playback mode. Please start playback.

9. Care and Maintenance

Note



Disconnect the device from the power supply before cleaning it or if it is not going to be used for a long period of time.

- Only clean this product with a slightly damp, lint-free cloth and do not use aggressive cleaning agents.
- For hygienic reasons, clean the earpads regularly. Do not use alcohol-based agents.

7. Warranty Disclaimer

Hama GmbH & Co KG assumes no liability and provides no warranty for damage resulting from improper installation/mounting, improper use of the product or from failure to observe the operating instructions and/or safety notes.

8. Service and Support

Please contact Hama Product Consulting if you have any questions about this product.

Hotline: +49 9091 502-115 (German/English)

Further support information can be found here:

www.hama.com

9. Recycling Information

Note on environmental protection:



After the implementation of the European Directive 2012/19/EU and 2006/66/EU in the national legal system, the following applies: Electric and electronic devices as well as batteries must not be disposed of with household waste. Consumers are obliged by law to return electrical and electronic devices as well as batteries at the end of their service lives to the public collecting points set up for this purpose or point of sale. Details to this are defined by the national law of the respective country. This symbol on the product, the instruction manual or the package indicates that a product is subject to these regulations. By recycling, reusing the materials or other forms of utilising old devices/batteries, you are making an important contribution to protecting our environment.

10. Declaration of Conformity



Hereby, Hama GmbH & Co KG declares that the radio equipment type [00131991] is in compliance with Directive 2014/53/EU. The full text of the EU declaration of conformity is available at the following internet address: www.hama.com -> 00131991 -> Downloads.

Nous vous remercions d'avoir choisi un produit Thomson. Veuillez prendre le temps de lire l'ensemble des remarques et consignes suivantes. Veuillez conserver ce mode d'emploi à portée de main afin de pouvoir le consulter en cas de besoin. Transmettez-le au nouveau propriétaire avec l'appareil le cas échéant.

1. Explication des symboles d'avertissement et des remarques

Risque d'électrocution

Ce symbole indique un risque de contact avec des parties non isolées du produit susceptibles de conduire un courant électrique capable de provoquer un risque d'électrocution.

Avertissement

Ce symbole est utilisé pour indiquer des consignes de sécurité ou pour attirer votre attention sur des dangers et risques particuliers.

Remarque

Ce symbole est utilisé pour indiquer des informations supplémentaires ou des remarques importantes.

2. Aperçu

Récepteur / casque fig. 1

1. Interrupteur de mise sous/hors tension
2. LED d'affichage de signal (fonctionnement, état Bluetooth ou témoin de batterie)
3. Réglage du volume (0 = volume minimum, 10 = volume maximum)
4. Réglage de la balance (R = droite / L = gauche)

Récepteur / casque - fig. 2

5. Touche de lecture (Play) / pause / prise d'appel / fin d'appel
6. Touche pour le microphone / le couplage Bluetooth
7. Microphone intégré
8. Contacts de charge du casque
9. Côté gauche du casque (gris) avec articulation à rotule
10. Côté droit du casque (rouge) avec articulation à rotule

Station de recharge / émetteur - fig. 3

11. Contacts de recharge de l'émetteur
12. LED d'affichage de signal (fonctionnement et Bluetooth)

Face arrière de la station de recharge / de l'émetteur - fig. 4

13. Connexion électrique / du bloc secteur (bloc secteur de 5,5 V – 550 mA)
14. Touche "Pair" pour le couplage (station de recharge avec le casque)
15. Port "Audio-In" pour connexion audio analogique (jack de 3,5 mm ou via adaptateur RCA)
16. Sélecteur d'entrée pour connexion audio


3. Contenu de l'emballage

- Casque / récepteur avec batterie lithium polymère intégrée
- Émetteur / station de recharge

- Bloc secteur
- Câble adaptateur audio analogique (rouge/blanc) –
- 2 connecteurs RCA vers jack femelle stéréo de 3,5 mm
- Câble audio analogique (jack mâle stéréo 3,5 mm, les deux extrémités sont bleues)
- Câble audio à fibre optique (Toslink/ODT), noir
- 2 paires de coussinets

4. Consignes de sécurité

Avertissement

- Ce produit est spécialement conçu pour les personnes dont les capacités auditives sont entre autres limitées. Il est par conséquent en mesure de générer des volumes sonores inhabituellement élevés.
- Avant d'utiliser ce produit, les personnes présentant une audition normale doivent régler le volume de l'appareil de lecture au niveau le plus bas !
- Cet appareil transmet des signaux sur une fréquence de 2400 MHz. Avant d'acheter ce produit, toute personne portant un stimulateur cardiaque doit se faire conseiller par un médecin car cet article, lorsqu'il fonctionne, peut affecter le fonctionnement des stimulateurs cardiaques.
- Forte pression acoustique.
- Risque de traumatisme auditif.
- Pour éviter toute perte auditive, abstenez-vous d'écouter des fichiers audio à un niveau sonore élevé pendant de longues périodes.
- L'utilisation du produit limite votre perception des bruits ambiants. N'utilisez donc pas le produit lorsque vous conduisez un véhicule ou faites fonctionner une machine.
- Maintenez en permanence un niveau de volume raisonnable. Un volume excessif - même à courte durée - est susceptible d'endommager votre ouïe. 

- Protégez le produit de toute saleté, humidité, surchauffe et utilisez-le uniquement dans des locaux secs.
- N'utilisez pas le produit à proximité immédiate d'un chauffage, d'autres sources de chaleur ou exposé aux rayons directs du soleil.
- Utilisez l'article uniquement dans des conditions climatiques modérées.
- Cet appareil, comme tout appareil électrique, doit être gardé hors de portée des enfants !
- N'utilisez pas le produit en dehors des limites de puissance indiquées dans les caractéristiques techniques.
- N'utilisez pas le produit dans un environnement humide et évitez toute projection d'eau.
- Ne posez pas de récipients remplis de liquides, comme des vases, sur le produit ou à proximité de ce dernier. Le récipient pourrait se renverser et le liquide pourrait compromettre la sécurité électrique.
- Tenez les emballages d'appareils hors de portée des enfants, risque d'étouffement.
- La batterie est installée de façon permanente et ne peut pas être retirée.

- Ne tentez pas d'ouvrir les piles ou les batteries, faites attention à ce que des petits enfants ne les avalent pas et ne les jetez pas avec les ordures domestiques. Elles sont susceptibles de contenir métaux lourds toxiques et nocifs pour l'environnement.
- Ne modifiez pas et/ou ne déformez/chauffez/désassemblez pas les batteries/piles.
- Ce produit est destiné à une installation domestique non commerciale.
- Utilisez le produit exclusivement conformément à sa destination.
- Les enfants doivent être surveillés fin de garantir qu'ils ne jouent pas avec le produit.
- N'utilisez pas le produit dans les zones dans lesquelles l'utilisation d'appareils électroniques est interdite.
- Posez tous les câbles de telle sorte qu'ils ne présentent aucun risque de chute.
- Faites attention à ne pas plier ni coincer le câble.
- Protégez le produit des secousses violentes et évitez tout choc ou toute chute.
- Recyclez les matériaux d'emballage conformément aux prescriptions locales en vigueur.
- N'apportez aucune modification à l'appareil. Des modifications vous feraient perdre vos droits de garantie.

Risque d'électrocution



- Ne tentez pas d'ouvrir le produit en cas de détérioration et cessez de l'utiliser.
- Cessez d'utiliser le produit si l'adaptateur CA, le câble adaptateur ou le câble d'alimentation est endommagé.
- Ne tentez pas de réparer l'appareil vous-même ni d'effectuer des travaux d'entretien. Déléguez tous travaux d'entretien à des techniciens qualifiés.

5. Introduction

Ce CASQUE STÉTHOSCOPIQUE NUMÉRIQUE SANS FIL fonctionne avec la technologie Bluetooth sans fil dernière génération et permet même aux personnes âgées de profiter d'un son clair et net en regardant la télévision ou en écoutant de la musique à la maison. Un smartphone ou une tablette peuvent par ailleurs y être connectés simultanément (Multipoint = deux appareils peuvent être connectés simultanément à ce casque). Connectez l'émetteur à la source audio souhaitée : lecteur DVD, lecteur CD, téléviseur, chaîne Hi-Fi, smartphone ou tablette. Vous pouvez profiter d'un son vivant et entraînant en seulement quelques minutes, sans câblage compliqué et après une installation très simple permettant une utilisation immédiate. Le type de connexion utilisée ne joue aucun rôle ; peu importe si vous utilisez une connexion analogique (RCA ou jack), numérique (optique) ou si vous établissez une connexion sans fil directe (via Bluetooth).

6. Fonctions générales

- Technologie Bluetooth sans fil de 2.4 GHz
- Station de recharge avec voyant LED
- Désactivation automatique du produit en cas de connexion Bluetooth directe (lorsque l'oreillette est insérée dans la station de recharge)

- Mise en sourdine pour la prise d'un appel via le microphone interne ou commutation automatique sur votre smartphone / votre tablette grâce à la fonction Multipairing / de prise d'appel
- Système de recharge rapide (durée de la charge complète du casque : env. 2-3 h)
- Réglage du volume pour un ajustement individuel
- Réglage de balance gauche/droite
- Play/Pause ou prise d'appel, arrêt du son sur le casque stéthoscopique, fonction smartphone/tablette
- LED d'affichage d'état de fonctionnement / témoin de batterie ou pour l'affichage de l'état de la connexion Bluetooth / du couplage
- Sélecteur pour la connexion analogique ou numérique de la source audio sur la station d'émission / la station de recharge
- 2 coussinets de taille différente pour un ajustement individuel
- Lorsqu'un smartphone / une tablette est connecté(e) : affichage du niveau de batterie du casque (selon la fonction smartphone/tablette)

7. Caractéristiques techniques

Mode d'émission	technologie Bluetooth sans fil
Fréquence porteuse	2,4 GHz
Tension de service de l'émetteur	5 V, 550 mA
Tension de service du récepteur	3,7 V, 380 mAh avec batterie lithium polymère
Plage de fréquence	20 Hz – 20 kHz
Distorsion	< 1 %
Rapport bruit	> 70 dB
Portée	10 m
Temps de conversation / musique	à volume maximum : 5 h à volume moyen : 6 h à volume minimum : 8 h avec une batterie entièrement chargée
Veille	250 h
Technologie Bluetooth	Bluetooth V4.1
Profil Bluetooth	HSP, HFP, A2DP, AVRCP, SPP
Batterie	batterie lithium polymère intégrée 3,7 V
Capacité de la batterie	380 mA
Gamme(s) de fréquences	2402 – 2480 MHz
Puissance d'émission maximale	4 dBm

8. Installation de l'émetteur fig. 4 + 5 + 6

Avertissement



- Utilisez l'appareil exclusivement branché à une prise de courant appropriée. La prise de courant doit être située à proximité du produit et doit être facilement accessible.
- Coupez le produit du secteur à l'aide de l'interrupteur - débranchez la prise de courant en cas d'absence d'interrupteur.
- En cas de prises multiples, veillez à ce que les appareils consommateurs branchés ne dépassent pas la puissance absorbée totale admissible.
- Débranchez l'appareil si vous ne comptez pas l'utiliser pendant un certain temps.

• Branchez le bloc secteur à la prise située sur la face arrière de l'émetteur (fig. 5). Aide de branchement : la couleur (jaune) doit coïncider sur la station de recharge. Le raccordement à la prise électrique s'effectuera plus tard.

3 type de connexions possibles :

- A) Connexion audio analogique (pour TV / Hi-Fi, etc.) via un câble jack de 3,5 mm ou un câble adaptateur RCA
- B) Connexion numérique optique (pour TV / Hi-Fi / barre de son, etc.) via un câble Toslink
- C) Connexion Bluetooth directe (pour TV / Hi-Fi / barre de son, etc.) au casque stéthoscopique

Les raccordements correspondants au type de connexion doivent être réalisés.

8.1 Possibilités de connexion par câble

8.1.1 Connexion audio analogique avec un câble jack ou RCA (fig. 4 + 6)

- Le câble jack est fréquemment utilisé pour la connexion casque du téléviseur / de la chaîne Hi-Fi. Connectez une première extrémité du câble jack à la sortie casque du téléviseur et l'autre extrémité à la prise de l'émetteur / de la station de recharge. La couleur (bleu) doit coïncider sur la station de recharge (prise n° 5, voir fig. 4).
- Le câble RCA est fréquemment utilisé pour les sorties audio externes (sortie d'un décodeur, d'une chaîne Hi-Fi ou d'un téléviseur, etc.) et offre un signal audio direct (les prises sont souvent blanches et rouges). Branchez le câble jack (connecteurs bleus) et le câble adaptateur RCA (connecteurs rouges/blancs) : insérez les connecteurs RCA en fonction de la source audio (Hi-Fi / STB, TV, etc.). Les couleurs servent de marquage droite/gauche, le rouge représentant toujours le côté droit. Branchez désormais l'autre extrémité (connecteur jack bleu) à la prise de l'émetteur / de la station de recharge. La couleur (bleu) doit coïncider sur la station de recharge (prise n° 5, voir fig. 4).

8.1.2 Connexion audio numérique avec le câble Toslink/ODT :

La connexion audio optique numérique est la meilleure connexion par câble possible (pas de décalages entre l'image et le son). Desserrez les capuchons anti-poussière des deux ex-

trémités du câble et branchez un côté au téléviseur, à la chaîne Hi-Fi ou à la barre de son et l'autre côté à la station d'émission ou à la station de recharge. Veuillez noter que les connecteurs ont des guides. La couleur (noir) doit coïncider sur la station de recharge (prise n° 7, voir fig. 4).

Si vous avez opté pour une connexion par câble sur l'émetteur / la station de recharge (point 8.1.1 ou 8.1.2), choisissez désormais votre source d'entrée (commutateur n° 6, voir fig. 4).

8.1.3 Mise en service du casque avec l'émetteur / la station de recharge

Avertissement



- Utilisez exclusivement un chargeur approprié.
- Cessez d'utiliser tout chargeur défectueux et ne tentez pas de le réparer.
- Ne surchargez ou ne déchargez pas totalement le produit.
- Évitez un stockage, une charge ou une utilisation à des températures extrêmes.
- Rechargez régulièrement le produit (au moins une fois par trimestre) en cas de stockage prolongé.

Remarque



En fonction du téléviseur, celui-ci est mis en sourdine si vous utilisez la sortie casque audio 3,5 mm – le cas échéant, vous devrez ajuster le volume du casque dans le menu du téléviseur (nous recommandons de régler le volume du casque à env. 80 % - 90 % lors de l'utilisation du système de casque sans fil). Le réglage du haut-parleur du téléviseur n'en est généralement pas affecté. Dans le cas contraire, vous devrez l'ajuster.



Remarque



Avant la première utilisation, veillez à ce que la batterie soit entièrement chargée. Veuillez charger la batterie pendant au moins 3 heures avant la première utilisation. Assurez-vous que le casque est éteint et hors service pendant la recharge.

8.1.3.1 Activation et connexion d'appareils couplés (connexion de l'émetteur / de la station de recharge au casque stéthoscopique)

Veillez à ce que le casque ne soit pas inséré dans la station de recharge lors de la première mise en service. L'émetteur / la station de recharge et le casque stéthoscopique sont déjà couplés/synchronisés par défaut. Mettez le casque stéthoscopique sur "ON" (fig. 1 avec commutateur n° 1). La LED du casque stéthoscopique (fig. 1 n° 2) clignote lentement en BLEU. Insérez le bloc secteur dans la prise de courant prévue à cet effet (fig. 5). Le témoin de l'émetteur / de la station de recharge clignote d'abord rapidement (fig. 3, LED n° 2), puis lentement et reste ensuite allumé en BLEU en cas de connexion conforme.

Commencez par régler le volume du casque à un niveau faible avant la première utilisation. Vous pouvez alors profiter de votre source audio analogique (TV / Hi-Fi ou autre).

8.1.3.2 Couplage entre l'émetteur et le récepteur (entre la station de recharge et le casque stéthoscopique)

Vous devez effectuer un couplage manuel si l'émetteur et le récepteur ne sont pas couplés par défaut (les LED de la station de recharge et du casque stéthoscopique clignotent en permanence).

- Commencez par brancher le câble d'alimentation à la prise de la station de recharge (fig. 4, prise n° 3 / jaune).
- Vérifiez que le casque stéthoscopique est bien hors tension (fig. 1, commutateur n° 1 sur "OFF").
- Mettez le casque stéthoscopique sous tension (fig. 1, commutateur n° 1 sur "ON").
- Appuyez sur la touche du microphone / touche de couplage (fig. 2, touche n° 6) pendant env. 7 secondes. La LED se met à clignoter rapidement en BLEU.

Remarque

L'allumage VERT de la LED signifie que vous n'avez pas appuyé suffisamment longtemps sur la touche. Répétez la procédure.

- Branchez le câble d'alimentation de la station d'émission dans la prise de la station de recharge (fig. 4, prise n° 3 / jaune) et appuyez sur la touche "PAIR" (fig. 4, touche n° 4) pendant env. 1 seconde.
- Patientez quelques secondes (15 secondes maxi) jusqu'à obtenir la synchronisation/le couplage de l'émetteur avec le récepteur. Les deux LED s'allument en BLEU en permanence en cas de couplage conforme.
- Vous pouvez commencer à utiliser votre source audio analogique, comme décrit au point 8.1.3.1.

Remarque

Veuillez noter que le système s'éteint automatiquement lorsque l'émetteur et le casque stéthoscopique ne sont pas couplés dans un délai de 2 minutes.

La transmission de l'émetteur est automatiquement désactivée lorsque le casque stéthoscopique est inséré dans la station d'émission / la station de recharge (recharge). Pour rétablir la connexion, le casque stéthoscopique doit être déconnecté de la station et le bouton de mise sous/hors tension mis sur "OFF", voire remis sur "ON" (le couplage s'effectue alors automatiquement).

8.2 Possibilités de connexion sans fil (via Bluetooth)

Vous pouvez établir une connexion Bluetooth directe entre un téléviseur / une chaîne Hi-Fi / une barre de son ou un smartphone / une tablette (à condition qu'ils soient compatibles Bluetooth) et le casque stéthoscopique. La fonction de téléphonie (permettant de prendre ou de terminer un appel) est disponible en supplément avec notre produit.

8.2.1.1 Première connexion Bluetooth (couplage)

Remarque : Couplage

- Assurez-vous que votre appareil Bluetooth est bien sous tension et que sa fonction Bluetooth est bien activée.
- Assurez-vous également que votre appareil Bluetooth est bien détectable par d'autres appareils Bluetooth.
- Veuillez consulter le mode d'emploi de votre appareil à ce sujet.

Remarque : Connexion Bluetooth à un téléviseur / à une chaîne Hi-Fi / à une barre de son ou à un smartphone / à une tablette

- Assurez-vous que votre appareil (téléviseur / chaîne Hi-Fi / barre de son / smartphone, etc.) est bien compatible avec le casque stéthoscopique Bluetooth.
- Vérifiez si vous devez effectuer le couplage via le menu Son/Audio ou via le menu de connexion ; vous écarterez ainsi toute connexion avec un accessoire, tel qu'un clavier de saisie.
- Veuillez également consulter le mode d'emploi de votre téléviseur à ce sujet. Ces différentes fonctions doivent également être prises en charge par votre appareil (les profils Bluetooth doivent être pris en charge).
- La distance entre le casque et votre appareil ne doit pas excéder 1 mètre. Plus la distance est courte, meilleure sera la connexion. Ces différentes fonctions doivent également être prises en charge par votre appareil (les profils Bluetooth doivent être pris en charge).

- Assurez-vous que le casque est chargé.
- Assurez-vous que la station d'émission / la station de recharge est d'abord débranchée (fig. 4, prise n° 3 / jaune).
- Vérifiez que le casque stéthoscopique est bien hors tension (fig. 1, commutateur n° 1 sur "OFF").
- Remettez désormais le casque stéthoscopique sous tension (fig. 1, commutateur n° 1 sur "ON").
- Appuyez sur la touche du microphone / de couplage (fig. 2, touche n° 6) pendant env. 7 secondes. La LED se met à clignoter rapidement en BLEU. Le casque recherche une connexion Bluetooth.

Remarque

L'allumage VERT de la LED signifie que vous n'avez pas appuyé suffisamment longtemps sur la touche. Répétez la procédure.

- Ouvrez désormais les réglages Bluetooth de votre appareil (sur votre téléviseur, chaîne Hi-Fi, smartphone, etc.) pour rechercher un appareil et patientez jusqu'à ce que "WHP6309BT" apparaisse dans la liste.
- Sélectionnez l'appareil "WHP6309BT", puis patientez jusqu'à ce que le casque stéthoscopique apparaisse en tant que "Connecté" (connected) dans les réglages Bluetooth de votre appareil. La LED de l'oreillette clignote lentement en vert lorsque le son est arrêté ou reste allumée en bleu lors de la lecture.
- Votre casque est maintenant prêt à l'emploi.

- Veuillez noter que, en présence d'appareils couplés avec Bluetooth, vous devrez à régler le volume sur ces derniers. Réduisez d'abord le volume de votre appareil (téléviseur, smartphone, etc.) à 1/3 du volume sonore maximal (afin d'éviter tout endommagement de l'ouïe) ; réglez ensuite le volume sonore maximal sur le casque stéthoscopique.

Remarque concernant le mot de passe Bluetooth

Certains appareils requièrent un mot de passe pour l'établissement de la connexion avec un appareil Bluetooth.

- Saisissez 0000 pour la connexion avec le casque si votre appareil exige la saisie d'un mot de passe.

8.2.1.2 Connexion Bluetooth automatique (après un premier couplage conforme)

Lors de sa mise sous tension, le casque stéthoscopique se connecte automatiquement aux appareils déjà couplés (fig. 1, commutateur n° 1 sur "ON").

8.3 Couplage Multipoint (connexion par câble combinée à une connexion sans fil (Bluetooth))

Outre une connexion par câble (depuis un téléviseur, une chaîne Hi-Fi, etc.), vous pouvez également établir une connexion sans fil au casque stéthoscopique. Vous pouvez, par exemple, recevoir des appels via votre smartphone pendant que vous regardez la télévision.

Remarque

Pour pouvoir recevoir des appels, le système de casque sans fil WHP6309BT doit disposer d'une connexion sans fil active (Bluetooth), conformément au chapitre 8.2, (smartphone, par exemple).

- Désactivez la connexion sans fil sur votre appareil (connexion Bluetooth du smartphone sur "OFF", par exemple)
- Retirez le câble d'alimentation de la prise de la station de recharge (fig. 4, prise n° 3 / jaune).
- Vérifiez que le casque stéthoscopique est bien hors tension (fig. 1, commutateur n° 1 sur "OFF").
- Mettez le casque stéthoscopique sous tension (fig. 1, commutateur n° 1 sur "ON").
- Appuyez sur la touche du microphone / de couplage située sur le casque stéthoscopique (fig. 2, touche n° 6) pendant env. 7 secondes. La LED se met à clignoter rapidement en BLEU.

Remarque

L'allumage VERT de la LED signifie que vous n'avez pas appuyé suffisamment longtemps sur la touche. Répétez la procédure.

- Branchez à nouveau le câble d'alimentation de la station d'émission dans la prise de la station de recharge (fig. 4, prise n° 3 / jaune) et appuyez 1 fois sur la touche "PAIR" (fig. 4, touche n° 4). La LED de la station de recharge clignote rapidement en BLEU.
- Patientez quelques secondes (15 secondes maxi) jusqu'à obtenir la synchronisation/le couplage de l'émetteur avec le récepteur. Les deux LED s'allument en BLEU en permanence en cas de couplage conforme.

- Veuillez noter que le système s'éteint automatiquement lorsque l'émetteur et le casque stéthoscopique ne sont pas couplés dans un délai de 2 minutes. Faites un essai de lecture de la source audio (téléviseur, chaîne Hi-Fi) pour vous assurer que la connexion est bien activée.
- Activez Bluetooth sur votre appareil (fonction Bluetooth du smartphone sur "ON", par exemple), puis sélectionnez la connexion Bluetooth "WHP6309BT" **déjà couplée**.
- L'alternative de connexion par câble ainsi que l'alternative de connexion sans fil Bluetooth sont alors couplées entre elles (procédure similaire à Multipairing).
- Vous pouvez alors recevoir des appels lorsque vous regardez la télévision, par exemple.

8.4 Recharge (fig. 7)

Vérifiez que le casque stéthoscopique est bien hors tension avant de le recharger (fig. 1, commutateur n° 1 sur "OFF"). Placez le casque sur la station d'émission et assurez-vous que les contacts de charge touchent bien les broches de charge de l'émetteur. La charge commence automatiquement. Le voyant LED clignote lentement en VERT (fig. 1, LED n° 2) pendant la recharge. La LED s'allume en permanence en VERT lorsque la batterie est entièrement chargée. Une charge complète dure environ 2 heures.

Remarque

Afin d'éviter tout endommagement de la batterie, veuillez éteindre le casque lorsqu'il n'est pas utilisé. La batterie doit être entièrement chargée avant la première utilisation. Une charge initiale de trois heures est nécessaire pour garantir une bonne durée de vie de la batterie. Assurez-vous que le casque stéthoscopique est éteint pendant la recharge.

8.5 Autres fonctions

8.5.1.1 Généralités sur l'utilisation du microphone et la fonction de pause (fig. 2, touche n° 6) + LED (fig. 1, LED n° 2)

Pendant que vous regardez la télévision ou écoutez de la musique, vous pouvez utiliser le microphone intégré pour mieux percevoir votre environnement (sonnette de porte, conversation, etc.) ; la LED s'allume en VERT après l'activation.

Remarque

Veuillez noter que le microphone est alors très sensible (risque de troubles auditifs).



La touche Play/Pause vous permet de mettre le son sur pause à tout moment (fig. 2, touche n° 5). Veuillez noter que, pendant la pause, la LED clignote lentement en VERT sur l'oreillette (elle reste allumée en BLEU lors de la lecture).

8.5.1.2 Utilisation du microphone pour des appels téléphoniques (fonction Bluetooth avec le smartphone / la tablette) (fig. 2, touche n° 5) + LED (fig. 1, LED n° 2)

Avec une connexion Bluetooth sans fil active vers un smartphone / une tablette, vous pouvez vous servir de la touche Play/Pause (fig. 2, touche n° 5) pour recevoir des appels et parler dans le microphone (si compatible avec l'appareil utilisé). La LED clignote en vert/bleu pendant la sonnerie et reste allumée en bleu pendant l'appel. Une lecture audio en cours sera interrompue jusqu'à la fin de l'appel.

8.5.1.3 Réglage de la balance (fig. 1, régulateur n° 4)

Le régulateur vous permet de compenser les inégalités sonores entre le côté droit et le côté gauche.

8.5.1.4 Information sur l'état de la batterie (casque stéthoscopique)

La LED (fig. 1, LED n° 2) se met à clignoter lentement en BLEU lorsque le niveau de la batterie du casque stéthoscopique est faible.

8.6 Recherche des pannes

8.6.1 Aucun son

- Vérifiez si le bloc secteur est, sur une extrémité, bien inséré dans la prise et, à l'autre extrémité, correctement connecté à la prise d'entrée de bloc secteur de l'émetteur.
- Assurez-vous que la touche de mise sous/hors tension soit sur "ON", aussi bien sur l'émetteur que sur le casque.
- Il est possible que le niveau de charge de la batterie du casque soit trop faible. Rechargez la batterie.
- Vérifiez que votre téléviseur, votre chaîne Hi-Fi ou un autre composant audio est bien sous tension et qu'un canal de transmission de signal audio est bien sélectionné.
- Il est possible que le niveau de sortie (volume sonore) de la source audio soit trop faible. Réglez le volume conformément.
- Augmentez le volume à l'aide du régulateur situé sur le casque.
- La touche d'arrêt du son du casque est-elle activée (la LED de l'oreillette clignote lentement en VERT) ?
- L'appareil audio/vidéo connecté n'est peut-être pas en mode de lecture. Activez-le.

9. Soins et entretien

Remarque



Débranchez l'appareil avant de procéder à son nettoyage et en cas de non-utilisation prolongée.

- Nettoyez le produit uniquement à l'aide d'un chiffon non fibreux légèrement humide ; évitez tout détergent agressif.
- Pour des raisons d'hygiène, nettoyez régulièrement les coussinets avec un produit sans alcool.

7. Exclusion de garantie

La société Hama GmbH & Co KG décline toute responsabilité en cas de dommages provoqués par une installation, un montage ou une utilisation non conformes du produit ou encore provoqués par un non respect des consignes du mode d'emploi et/ou des consignes de sécurité.

8. Service et assistance

En cas de question concernant le produit, veuillez vous adresser au service de conseil produits de Hama.

Ligne téléphonique directe : +49 9091 502-115 (allemand/anglais)

Vous trouverez ici de plus amples informations concernant l'assistance : www.hama.com

9. Consignes de recyclage

Remarques concernant la protection de l'environnement:



Conformément à la directive européenne 2012/19/EU et 2006/66/CE, et afin d'atteindre un certain nombre d'objectifs en matière de protection de l'environnement, les règles suivantes doivent être appliquées:

Les appareils électriques et électroniques ainsi que les batteries ne doivent pas être éliminés avec les déchets ménagers. Le pictogramme "picto" présent sur le produit, son manuel d'utilisation ou son emballage indique que le produit est soumis à cette réglementation. Le consommateur doit retourner le produit/la batterie usager aux points de collecte prévus à cet effet. Il peut aussi le remettre à un revendeur. En permettant enfin le recyclage des produits ainsi que les batteries, le consommateur contribuera à la protection de notre environnement. C'est un acte écologique.

10. Déclaration de conformité



Le soussigné, Hama GmbH & Co KG, déclare que l'équipement radioélectrique du type [00131991] est conforme à la directive 2014/53/UE. Le texte complet de la déclaration UE de conformité est disponible à l'adresse internet suivante:

www.hama.com -> 00131991 -> Downloads.

Vielen Dank, dass Sie sich für ein Thomson Produkt entschieden haben! Nehmen Sie sich Zeit und lesen Sie die folgenden Anweisungen und Hinweise zunächst ganz durch. Bewahren Sie diese Bedienungsanleitung anschließend an einem sicheren Ort auf, um bei Bedarf darin nachschlagen zu können. Sollten Sie das Gerät veräußern, geben Sie diese Bedienungsanleitung an den neuen Eigentümer weiter.

1. Erklärung von Warnsymbolen und Hinweisen

Gefahr eines elektrischen Schlags

Dieses Symbol weist auf eine Berührungsgefahr mit nicht isolierten Teilen des Produktes hin, die möglicherweise eine gefährliche Spannung von solcher Höhe führen, dass die Gefahr eines elektrischen Schlags besteht.

Warnung

Wird verwendet, um Sicherheitshinweise zu kennzeichnen oder um Aufmerksamkeit auf besondere Gefahren und Risiken zu lenken.

Hinweis

Wird verwendet, um zusätzlich Informationen oder wichtige Hinweise zu kennzeichnen.

2. Übersicht

Empfänger / Kopfhörer - Pic. 1

1. Ein/ Aus-Schalter
2. LED-Signalanzeige (Betrieb, Bluetooth-Status oder Batterieanzeige)
3. Lautstärkeregl. (0= geringste Lautstärke, 10= maximale Lautstärke)
4. Balance Regler (R = Rechts/ L= Links)

Empfänger / Kopfhörer – Pic. 2

5. Taste für Wiedergabe (Play) / Pause / Anrufannahme / Auflegen
6. Taste für Mikrofon / Bluetooth Pairing (Kopplung)
7. Eingebautes Mikrofon
8. Ladekontakte Kopfhörer
9. Linke Kopfhörerseite (Grau) mit Kugelgelenk
10. Rechte Kopfhörerseite (Rot) mit Kugelgelenk

Ladestation/Sender – Pic. 3

11. Ladekontakte Sender
12. LED Signalanzeige (Betrieb bzw. Bluetooth Status)

Ladestation/Sender Rückseite – Pic. 4


13. Strom/Netzteil - Anschluss (Netzteil mit 5,5V – 550mA)
14. „Pair“ Taste für Pairing/Kopplung (Ladestation zu Kopfhörer)
15. „Audio-In“ Anschluss für analoge Audio Verbindung (3,5mm Klinke bzw. über Cinch Adapter)
16. Eingangswahlschalter für Audioverbindung

3. Packungsinhalt

- Kopfhörer/Empfänger mit integriertem Lithium Polymer Akku
- Sender/Ladestation
- Steckernetzteil
- Analoges Audio-Adapterkabel (Rot/Weiß) – 2x Cinch auf 3,5 mm Stereo-Klinkenkupplung
- Analoges Audiokabel (3,5 mm Stereo-Klinkenstecker an beiden Enden in Blau)
- Optisches Audio Lichtleiterkabel (Toslink/ODT) in schwarz
- 2 Paar Ohrpolster

4. Sicherheitshinweise

Warnung

- Dieses Produkt ist speziell für Personen entwickelt, deren Hörfähigkeit unter anderem eingeschränkt ist. Es ist daher in der Lage, ungewöhnlich hohe Lautstärken zu erzeugen.
- Normal hörende sollten dieses Produkt vor der Benutzung die Lautstärke des angeschlossenen Wiedergabegerätes auf das niedrigste Niveau einstellen!
- Dieses Gerät überträgt Signale auf einer Frequenz von 2400 MHz. Personen mit Herzschrittmachern sollten vor dem Kauf dieses Produktes einen Arzt zu Rate ziehen, da durch den Betrieb dieses Artikels die Funktion von Herzschrittmachern beeinträchtigt werden kann.
- Hoher Schalldruck!
- Es besteht das Risiko eines Gehörschadens.
- Um einen Verlust des Hörsinns zu verhindern, vermeiden Sie das Hören bei großem Lautstärkepegel über lange Zeiträume.
- Die Benutzung des Produktes schränkt Sie in der Wahrnehmung von Umgebungsgeräuschen ein. Bedienen Sie daher während der Benutzung keine Fahrzeuge oder Maschinen.
- Halten Sie die Lautstärke immer auf einem vernünftigen Niveau. Hohe Lautstärken können - selbst bei kurzer Dauer – zu Hörschäden führen. 

- Schützen Sie das Produkt vor Schmutz, Feuchtigkeit und Überhitzung und verwenden Sie es nur in trockenen Räumen.
- Betreiben Sie das Produkt nicht in unmittelbarer Nähe der Heizung, anderer Hitzequellen oder in direkter Sonneneinstrahlung.
- Verwenden Sie den Artikel nur unter moderaten klimatischen Bedingungen.
- Dieses Produkt gehört, wie alle elektrischen Produkte, nicht in Kinderhände!
- Betreiben Sie das Produkt nicht außerhalb seiner in den technischen Daten angegebenen Leistungsgrenzen.
- Verwenden Sie das Produkt nicht in einer feuchten Umgebung und vermeiden Sie Spritzwasser.

- Stellen Sie keine mit Flüssigkeiten gefüllten Gefäße, wie z.B. Blumenvasen, auf oder in die nähere Umgebung des Produktes. Das Gefäß kann umkippen und die Flüssigkeit kann die elektrische Sicherheit beeinträchtigen.
- Halten Sie Kinder unbedingt von dem Verpackungsmaterial fern, es besteht Erstickungsgefahr.
- Der Akku ist fest eingebaut und kann nicht entfernt werden.
- Akkus und Batterien nie öffnen, beschädigen, verschlucken oder in die Umwelt gelangen lassen. Sie können giftige und umweltschädliche Schwermetalle enthalten.
- Verändern und/oder deformieren/erhitzen/zerlegen Sie Akkus/Batterien nicht.
- Das Produkt ist für den privaten, nicht-gewerblichen Haushaltsgebrauch vorgesehen.
- Verwenden Sie das Produkt ausschließlich für den dazu vorgesehenen Zweck.
- Kinder sollten beaufsichtigt werden, um sicher zu stellen, dass sie nicht mit dem Produkt spielen.
- Benutzen Sie das Produkt nicht in Bereichen, in denen elektronische Geräte nicht erlaubt sind.
- Verlegen Sie alle Kabel so, dass sie keine Stolpergefahr darstellen.
- Knicken und quetschen Sie das Kabel nicht.
- Lassen Sie das Produkt nicht fallen und setzen Sie es keinen heftigen Erschütterungen aus.
- Entsorgen Sie das Verpackungsmaterial sofort gemäß den örtlich gültigen Entsorgungsvorschriften.
- Nehmen Sie keine Veränderungen am Produkt vor. Dadurch verlieren sie jegliche Gewährleistungsansprüche.

Gefahr eines elektrischen Schlages



- Öffnen Sie das Produkt nicht und betreiben Sie es bei Beschädigungen nicht weiter.
- Verwenden Sie das Produkt nicht, wenn der AC-Adapter, das Adapterkabel oder die Netzleitung beschädigt sind.
- Versuchen Sie nicht, das Gerät selbst zu warten oder zu reparieren. Überlassen Sie jegliche Wartungsarbeit dem zuständigen Fachpersonal

5. Einführung

Dieser DIGITALE DRAHTLOSE KINNBÜGEL-KOPFHÖRER arbeitet mit der neuesten schnurlosen Bluetooth-Technologie und ermöglicht es, dass auch ältere Menschen beim Fernsehen und Musikhören zu Hause reinen, kristallklaren Klang genießen können. Zugleich bietet er auch die Möglichkeit ein Smartphone oder Tablet gleichzeitig hinzu zu verbinden (Multipoint = zwei Geräte gleichzeitig können gleichzeitig mit diesem Kopfhörer verbunden werden). Verbinden Sie den Sender einfach mit der gewünschten Audioquelle: DVD-Player, CD-Player, TV-Gerät, Hi-Fi-Anlage, Smartphone oder Tablet. Ganz ohne komplizierte Verkabelung und durch einfachstes Plug/Pair & Play-Installation können Sie in Minutenschnelle mitreißenden und lebendigen Sound genießen. Hierbei spielt es keine Rolle ob Sie die Konnektivität über analoge Anschlüsse (Cinch oder Klinke), digitale Anschlüsse (Optisch) verwenden oder über direkter schnurloser Verbindung (über Bluetooth) herstellen.

6. Allgemeine Funktion

- 2.4GHz schnurlose Bluetooth-Technologie
- Ladestation mit LED-Anzeige
- Automatisches Abschalten des Produktes bei Bluetooth-Direktverbindung (wenn der Hörer in die Ladestation gesteckt wird)
- Stummschaltung für Gesprächsaufnahme durch internes Mikrofon bzw. automatische Umschaltung auf das Smartphone/Tablet bei Multipairing/Gesprächsannahme
- Schnellladesystem (in ca. 2-3 Stunden bis zur vollständigen Ladung des Kopfhörers)
- Lautstärkeregelung zur individuellen Anpassung
- Balance-Regelung Links/Rechts
- Play/Pause bzw. Rufannahme Taste am Kinnbügel für Ton Pause bzw. Smartphone/Tablet-Funktion
- LED-Statusanzeige für Betrieb-/Batterieanzeige bzw. zur Statusanzeige Bluetooth Verbindung/Koppelung
- Wahlschalter für die analoge oder digitale Verbindung der Audioquelle an der Sende-/Ladestation
- 2 Größen an Ohrpolstern zur individuellen Anpassung
- Im verbundenen Smartphone/Tablet-Zustand: Akkuanzeige des Kopfhörers (abhängig vom Smartphone/Tablet Funktion)

7. Technische Daten

Sendemodus	schnurlose Bluetooth Technologie
Trägerfrequenz	2,4 GHz
Betriebsspannung Sender	5 V, 550 mA
Betriebsspannung Receiver	3,7 V, 380 mAh über Lithium Polymer Akku
Frequenzbereich	20 Hz – 20 kHz
Verzerrung	< 1 %
Rauschabstand	> 70 dB
Reichweite	10 m
Sprechzeit/Musik	Max. volume: 5h Mid Volume: 6h Min. Volume: 8h bei vollgeladenem Akku
Standby	250 h
Bluetooth-Technologie	Bluetooth V4.1
Bluetooth-Profil	HSP, HFP, A2DP, AVRCP, SPP
Akku	Integrated Lithium Polymer Akku 3,7V
Akkukapazität	380 mA
Frequenzband/ Frequenzbänder	2402 – 2480 MHz
Abgestrahlte maximale Sendeleistung	4 dBm

8. Installation Sender Pic. 4 + 5 + 6

Warnung



- Betreiben Sie das Produkt nur an einer dafür zugelassenen Steckdose. Die Steckdose muss in der Nähe des Produktes angebracht und leicht zugänglich sein.
- Trennen Sie das Produkt mittels des Ein-/Ausschalters vom Netz – wenn dieser nicht vorhanden ist, ziehen Sie die Netzleitung aus der Steckdose.
- Achten Sie bei Mehrfachsteckdosen darauf, dass die angeschlossenen Verbraucher die zulässige Gesamtleistungsaufnahme nicht überschreiten.
- Trennen Sie das Produkt vom Netz, wenn Sie es längere Zeit nicht benutzen.

- Verbinden Sie das Netzteil mit der Anschlussbuchse auf der Rückseite des Senders (Pic. 5). Als Hilfe dient die Farbübereinstimmung (Gelb) an der Ladestation. Die Verbindung zum Stromanschluss erfolgt im späteren Schritt.

Es sind nun 3 Anschlussmöglichkeiten gegeben:

- A) Analoge Audio Verbindung von z.B. TV/HiFi über 3,5mm Klinke- oder Cinch-Adapterkabel
- B) Optische digitale Verbindung von z.B. TV/HiFi/Soundbar über Toslinkkabel
- C) Direkte Bluetooth Verbindung von TV/HiFi/Soundbar zum Kinnbügelkopfhörer direkt

Je nach der Anschlussart sind bitte entsprechend die Verbindungen vorzunehmen.

8.1 Kabelgebundene Anschlussmöglichkeiten

8.1.1 Analoge Audio-Verbindung mittels Klinke- oder Cinch-Anschluss (Pic. 4 + 6)

- Das Klinkenkabel wird häufig für den Kopfhöreranschluss von TV/HiFi verwendet. Hierbei verbinden Sie das eine Ende des Klinkenkabels mit dem Kopfhöreranschluss des TV-Gerätes und das andere Ende mit der Buchse des Senders/Ladestation. Als Hilfe dient die Farbübereinstimmung (Blau) an der Ladestation (Buchse Nr. 5 aus Pic. 4).
- Das Cinchkabel wird häufig für externe Audioausgänge von z.B. SET-TOP-BOX / HiFi oder TV verwendet, um ein direktes Audiosignal anzubieten (oft farblich markiert durch weiße und rote Anschlussbuchsen). Hierbei verbinden Sie das Klinkenkabel (blaue Stecker) und das Cinch-Adapterkabel (rot/weiße Stecker): Stecken Sie die Cinch-Stecker entsprechend der Audioausgangsquelle ein (z.B. HiFi/STB oder TV). Als Rechts/Links Markierung gelten die Farben. Wobei Rot immer für Rechts steht. Bitte das andere Ende (Klinkenstecker blau) mit der Buchse des Senders/Ladestation verbinden. Als Hilfe dient die Farbübereinstimmung (Blau) an der Ladestation. (Buchse Nr. 5 aus Pic. 4).

8.1.2 Digitale Audioverbindung mittels Toslink/ODT Kabel:

Die digitale optische Audioverbindung ist die qualitativ beste kabelgebundene Verbindung (keine Zeitverzögerungen zwischen Bild und Ton), die hierbei hergestellt werden kann. Lösen Sie die Staubschutzkappen des Kabels auf beiden Seiten und verbinden Sie diese mit TV/HiFi/Soundbar einerseits und mit Sende-/Ladestation andererseits. Bitte beachten Sie, dass die Stecker Führungen haben! Als Hilfe dient die Farbübereinstimmung (Schwarz) an der Ladestation (Buchse Nr. 7 aus Pic. 4). Bitte wählen bei kabelgebundener Verbindung (Punkt 8.1.1 oder 8.1.2) zum Sender/Ladestation nun entsprechend Ihre Eingangsquelle aus (Schalter Nr. 6 aus Pic. 4).

8.1.3 Inbetriebnahme Kopfhörer mit Sender/Ladestation

Warnung



- Verwenden Sie nur geeignete Ladegeräte zum Aufladen.
- Verwenden Sie defekte Ladegeräte generell nicht mehr und versuchen Sie nicht, diese zu reparieren.
- Überladen oder tiefentladen Sie das Produkt nicht.
- Vermeiden Sie Lagerung, Laden und Benutzung bei extremen Temperaturen.
- Laden Sie bei längerer Lagerung regelmäßig (mind. vierteljährig) nach.

Hinweis



Je nach TV-Gerät wird bei der Benutzung des 3,5 mm Audio-Kopfhöreranschluss der Fernseher auf Stumm geschaltet – Ggf. müssen Sie u.a. am TV-Gerät die Kopfhörerlautstärke im Menü anpassen (Empfehlung für die Verwendung des Schnurlos-Kopfhörer-Systems ist hierbei bei ca. 80%-90% Kopfhörerlautstärke einzustellen). Die Lautsprechereinstellung des TV bleibt davon häufig unberührt bzw. muss entsprechend angepasst werden



Hinweis



Stellen Sie vor dem ersten Gebrauch sicher, dass der Akku vollständig geladen ist. Bitte laden Sie den Akku vor der ersten Verwendung für mindestens 3 Stunden. Stellen Sie sicher, dass der Kopfhörer während des Ladevorgangs ausgeschaltet und nicht in Betrieb ist.

8.1.3.1 Aktivieren und Verbinden von gekoppelten Geräten (Sender/Ladestation zu Kinnbügelkopfhörer)

Achten Sie darauf, dass für die erstmalige Inbetriebnahme der Kopfhörer nicht in der Ladestation steckt! Im Auslieferungszustand sind sowohl Sender/Ladestation als auch Kinnbügelkopfhörer bereits gekoppelt/synchronisiert. Schalten Sie nun den Kinnbügelkopfhörer auf „ON“ (Pic.1 mit Schalter Nr. 1). Die LED am Kinnbügelkopfhörer (Pic. 1 Nr. 2) blinkt langsam BLAU. Stecken Sie nun das Netzteil in die dafür vorgesehene Stromsteckdose (Pic. 5). Sender/Ladestation blinkt zunächst schnell (Pic. 3 LED Nr. 2), dann langsamer und bleibt konstant BLAU leuchtend bei erfolgreicher Verbindung.

Stellen Sie zunächst die Lautstärke des Kopfhörers auf geringe Lautstärke bevor Sie diesen erstmalig aufsetzen. Nun können Sie Ihre analoge Audioquelle (TV/HiFi oder ähnliches) genießen.

8.1.3.2 Koppeln/Pairing zwischen Sender und Empfänger (Ladestation zu Kinnbügelkopfhörer).

Sollte das Koppeln/Pairing zwischen Sender und Empfänger im Auslieferungszustand nicht gegeben sein (beide LEDs an der Ladestation und dem Kinnbügel blinken laufend), so ist ein manuelles Koppeln/Pairen nötig.

- Hierzu stecken Sie zunächst das Netzkabel in die Buchse an der Ladestation (Pic. 4 Buchse Nr. 3 / Gelb).
- Stellen Sie sicher, dass der Kinnbügel ausgeschaltet ist (Pic. 1 Schalter Nr. 1 auf „OFF“).
- Schalten Sie nun den Kinnbügel ein (Pic. 1 Schalter Nr. 1 auf „ON“).
- Drücken Sie die Mikrofon-/Pairingtaste (Pic. 2 Taste Nr. 6) für etwa 7 Sekunden. Die LED beginnt in BLAU schnell zu blinken.

Hinweis

Sollte die LED GRÜN leuchten, so haben Sie die Taste nicht lange genug gedrückt. Wiederholen Sie den Vorgang.

- Stecken Sie nun das Netzkabel der Sendestation in die Buchse der Ladestation (Pic. 4 Buchse Nr. 3 / Gelb) und drücken Sie die Taste „PAIR“ (Pic. 4 Taste Nr. 4) für etwa 1 Sekunde.
- Warten sie ein paar Sekunden (bis zu 15 Sekunden) bis sich Sender und Empfänger synchronisiert/gekoppelt haben. Bei erfolgreicher Koppelung leuchten beide LED's nun konstant BLAU.
- Sie können wie in Punkt 8.1.3.1 beschrieben nun Ihre analoge Audioquelle genießen.

Hinweis

- Bitte beachten Sie, dass das System sich automatisch abschaltet, wenn Sender und Kinnbügel nicht innerhalb von 2 Minuten gekoppelt sind/werden!
- Die Übertragung des Senders wird automatisch abgeschaltet, wenn der Kinnbügelkopfhörer in die Sende-/Ladestation eingesteckt wird (Ladevorgang). Zur Wieder-Verbindung muss der Kinnbügelkopfhörer von der Station getrennt werden und der Ein/Ausschalter ausgeschaltet sein bzw. wieder eingeschaltet werden (die Koppelung erfolgt nun automatisch).

8.2 Kabellose Anschlussmöglichkeiten (über Bluetooth)

Sie haben die Möglichkeit die direkte Bluetooth-Verbindung zwischen TV/HiFi/Soundbar oder Smartphone/Tablet (Bluetooth Technologie vorausgesetzt) und Kinnbügelkopfhörer vorzunehmen.

Hierbei ist nur die zusätzliche Funktion des Telefonierens mit der Gesprächsannahme oder Gesprächsbeendigung möglich.

8.2.1.1 Bluetooth Erstverbindung (Pairing)

Hinweis: Pairing

- Stellen Sie sicher, dass Ihr Bluetooth-fähiges Endgerät eingeschaltet ist und dass Bluetooth aktiviert ist.
- Stellen Sie sicher, dass Ihr Bluetooth-fähiges Endgerät für andere Bluetooth Geräte sichtbar ist.
- Beachten Sie hierzu die Bedienungsanleitung Ihres Endgerätes.

Hinweis: Bluetooth Verbindung mit Fernsehgerät/HiFi/Soundbar oder Smartphone/Tablet

- Stellen Sie sicher, dass Ihr Gerät (TV/HiFi/Soundbar/Smartphone etc.) mit dem Bluetooth-Kinnbügelkopfhörer kompatibel ist.
- Prüfen Sie, ob Sie das Pairing über das Ton/Audio-Menü oder über das Verbindungsmenü vornehmen müssen. Somit wird eine Verbindung mit sonstigem Zubehör wie z.B. Tastaturen ausgeschlossen.
- Beachten Sie hierzu die Bedienungsanleitung Ihres Fernsehers. Zudem müssen die einzelnen Funktionen von Ihrem Endgerät unterstützt werden (Bluetooth-Profile müssen unterstützt werden).
- Der Kopfhörer und das Endgerät sollten nicht weiter als 1 Meter voneinander entfernt sein. Je geringer der Abstand desto besser. Zudem müssen die einzelnen Funktionen von Ihrem Endgerät unterstützt werden (Bluetooth-Profile müssen unterstützt werden).
- Vergewissern Sie sich, dass der Kopfhörer geladen ist.
- Stellen Sie sicher, dass zunächst die Sende-/Ladestation vom Netz getrennt ist (Pic. 4 Buchse Nr. 3 / Gelb).
- Stellen Sie sicher, dass der Kinnbügel ausgeschaltet ist (Pic. 1 Schalter Nr. 1 auf „OFF“).
- Schalten Sie nun den Kinnbügel wieder ein (Pic. 1 Schalter Nr. 1 auf „ON“).
- Drücken Sie die Mikrofon-/Pairingtaste (Pic. 2 Taste Nr. 6) für etwa 7 Sekunden. Es beginnt die LED in BLAU schnell zu blinken. Der Kopfhörer sucht nun nach einer Bluetooth-Verbindung.

Hinweis

Sollte die LED GRÜN leuchten, so haben Sie die Taste nicht lange genug gedrückt. Wiederholen Sie den Vorgang.

- Öffnen Sie nun auf Ihrem Endgerät (z.B. TV/HiFi oder Smartphone) die Bluetooth-Einstellungen zur Suche von Geräten und warten Sie bis in der Liste „WHP6309BT“ angezeigt wird.
- Wählen Sie „WHP6309BT“ aus und warten Sie bis der Kinnbügel-Kopfhörer als „Verbunden“ (connected) in den Bluetooth-Einstellungen Ihres Endgerätes angezeigt wird. Die LED am Hörer blinkt langsam grün bei Tonpause oder konstant blau bei Wiedergabe.
- Sie können den Kopfhörer nun verwenden.
- Bitte achten Sie darauf die Lautstärke bei Bluetooth gekoppelten Geräten über diese zu steuern! Reduzieren sie zunächst die Lautstärke des Gerätes (z.B. TV/Smartphone) auf 1/3 der maximalen Lautstärke (Vermeidung von Hörschäden), um dann die maximale Lautstärke am Kinnbügelkopfhörer einzustellen.

Hinweis – Bluetooth Passwort



Manche Endgeräte benötigen für die Einrichtung der Verbindung mit einem anderen Bluetooth Gerät ein Passwort.

- Geben Sie für die Verbindung mit dem Kopfhörer das Passwort 0000 ein, wenn Sie zur Eingabe von Ihrem Endgerät aufgefordert werden.

8.2.1.2 Automatische Bluetooth-Verbindung (nach bereits erfolgtem Pairing)

Der Kinnbügelkopfhörer verbindet sich automatisch beim Einschalten (Pic. 1 Schalter Nr. 1 auf „ON“) mit bereits gekoppelten/gepaarten Geräten.

8.3 Multipoint Pairing (kabelgebundener Anschluss kombiniert mit kabellosem Anschluss (Bluetooth))

Zusätzlich können Sie neben der kabelgebunden Verbindung (z.B. vom TV/HiFi) auch noch eine kabellose Verbindung zu dem Kinnbügelkopfhörer herstellen. Dadurch haben Sie z.B. die Möglichkeit neben dem Fernsehen, gleichzeitig über das Smartphone Gespräche (Anruf) anzunehmen.

Hinweis



Hierzu sollte das schnurlose Kopfhörersystem WHP6309BT bereits über eine aktive kabellose Verbindung (Bluetooth) gemäß Kapitel 8.2 verfügen (z.B. Smartphone).

- Schalten Sie nun die kabellose Verbindung am Gerät aus (z.B. Bluetooth am Smartphone auf „AUS“)
- Ziehen Sie das Netzkabel aus der Buchse an der Ladestation (Pic. 4 Buchse Nr. 3 / Gelb)
- Stellen Sie sicher, dass der Kinnbügel ausgeschaltet ist (Pic. 1 Schalter Nr. 1 auf „OFF“).
- Schalten Sie nun den Kinnbügel ein (Pic. 1 Schalter Nr. 1 auf „ON“).
- Drücken Sie die Mikrofon-/Pairingtaste am Kinnbügel (Pic. 2 Taste Nr. 6) für etwa 7 Sekunden. Die LED beginnt schnell BLAU zu blinken.

Hinweis



Sollte die LED GRÜN leuchten, so haben Sie die Taste nicht lange genug gedrückt. Wiederholen Sie den Vorgang.

- Stecken Sie nun das Netzkabel der Sendestation wieder in die Buchse der Ladestation (Pic. 4 Buchse Nr. 3 / Gelb) und drücken Sie 1 x die Taste „PAIR“ (Pic. 4 Taste Nr. 4). Die LED an der Ladestation blinkt schnell BLAU.
- Warten sie ein paar Sekunden (bis zu 15 Sekunden) bis sich Sender und Empfänger synchronisiert/gekoppelt haben. Bei erfolgreicher Koppelung leuchten beide LED's nun konstant BLAU.
- Bitte beachten Sie, dass das System sich automatisch abschaltet, wenn Sender und Kinnbügel nicht innerhalb von 2 Minuten gekoppelt sind/werden! Am besten spielen Sie nun die Audioquelle ab (TV / HiFi), um sicher zu gehen, dass die Verbindung aktiv ist.
- Aktivieren Sie nun Bluetooth am Gerät (z.B. Smartphone Bluetooth auf „Ein“) und wählen Sie die **bereits gekoppelte/gepaarte** Bluetooth-Verbindung „WHP6309BT“ aus.

- Nun sind sowohl die kabelgebundene Anschlussvariante als auch die kabellose Bluetooth-Anschlussvariante zusammen gekoppelt (ähnlich Multipairing).
- Es können z.B. beim Fernsehen nun auch Telefonate angenommen werden.

8.4 Ladevorgang Pic.7

Stellen Sie sicher, dass der Kinnbügel vor dem Ladevorgang ausgeschaltet ist (Pic. 1 Schalter Nr. 1 auf „OFF“). Platzieren Sie den Kopfhörer auf der Sendestation und stellen Sie dabei sicher, dass die Ladekontakte die Ladepins am Sender berühren. Der Ladevorgang startet automatisch. Die LED-Anzeige blinkt langsam GRÜN (Pic. 1 LED Nr. 2) im Ladevorgang. Ist der Akku vollständig geladen leuchtet die LED dauerhaft GRÜN. Ladedauer für die vollständige Ladung liegt bei ca. 2 Stunden.

Hinweis



Um Beschädigungen der Batterien zu vermeiden, schalten Sie die Kopfhörer bitte immer aus, wenn sie nicht in Gebrauch sind. Vor dem ersten Gebrauch müssen die Batterien vollständig aufgeladen sein. Eine dreistündige Initialladung ist nötig, um eine akzeptable Lebensdauer der Batterien zu garantieren. Stellen Sie sicher, dass der Kinnbügelkopfhörer während des Ladevorgangs ausgeschaltet ist.

8.5 Weitere Funktionen

8.5.1.1 Mikrofonnutzung und Tonpause allgemein (Pic. 2 Taste Nr. 6) + LED (Pic. 1 LED Nr. 2)

Sie haben die Möglichkeit, mittels eines integrierten Mikrofon auch während des Hörbetriebes (TV/HiFi) das Mikrofon zur Tonaufnahme der Umgebung (z.B. Türklingel oder Gespräche) zuzuschalten (LED leuchtet bei Zuschaltung GRÜN).

Hinweis

Bitte beachten Sie hierbei die hohe Sensibilität des Mikrofons, um Hörschäden zu vermeiden!



Mittels des Play/Pause Knopfes haben Sie die Möglichkeit den Audio Ton auch jederzeit zu pausieren (Pic. 2 Taste Nr. 5). Bitte beachten Sie hierbei, dass die LED am Hörer dabei langsam GRÜN blinkt (bei Wiedergabe konstant BLAU).

8.5.1.2 Mikrofonnutzung für Telefongespräche (Bluetooth mit Smartphone/Tablet) (Pic. 2 Taste Nr. 5) + LED (Pic. 1 LED Nr. 2)

Bei einer aktiven kabellosen Bluetooth-Verbindung mit einem Smartphone/Tablet können Sie mittels des Play/Pause Knopfes (Pic. 2 Taste Nr. 5) Gespräche annehmen und über das Mikrofon nutzen (soweit vom Endgerät unterstützt). Hierbei blinkt die LED während des Klingelns grün/blau und leuchtet während des Gespräches blau. Eine bestehend Audio Tonwiedergabe wird hierbei pausiert bis das Gespräch beendet ist.

8.5.1.3 Balanceregung (Pic. 1 Regler Nr. 4)

Mittels des Reglers haben Sie die Möglichkeit differenziertes Hören zwischen Rechts und Links auszugleichen.

8.5.1.4 Info über Akkuzustand (Kinnbügelkopfhörer)

Ist der Batteriestand des Kinnbügels niedrig beginnt die LED (Pic. 1 LED Nr. 2) langsam BLAU zu blinken.

8.6 Fehlersuche

8.6.1 Kein Ton

- Überprüfen Sie, ob das Steckernetzteil vollständig in der Steckdose eingesteckt und am anderen Ende korrekt mit der Netzteil-Eingangsbuchse des Senders verbunden ist.
- Stellen Sie sicher, dass sich sowohl am Sender also auch am Kopfhörer die Ein/ Ausschalt-Taste in der Position „ON“ befindet.
- Der Ladestand des Akkus im Kopfhörer könnte eine zu geringe Restladung haben. Laden Sie den Akku.
- Überprüfen Sie, ob Ihr TV-Gerät, Ihre HiFi-Anlage oder Audiokomponente eingeschaltet und ein Kanal zur Audiosignalübertragung eingestellt ist.
- Der Ausgangspegel (Lautstärke) an der Audioquelle könnte zu niedrig eingestellt sein. Stellen Sie die Lautstärke passend ein.
- Erhöhen Sie die Lautstärke mithilfe des Reglers am Kopfhörer.
- Ist die Ton-Pause Taste am Kopfhörer aktiviert (LED am Hörer blinkt langsam GRÜN)?
- Möglicherweise befindet sich das angeschlossene Audio-/ Video-Gerät nicht im Wiedergabemodus? Bitte entsprechend einschalten.

9. Wartung und Pflege

Hinweis



Trennen Sie das Gerät vor der Reinigung und bei längerem Nichtgebrauch vom Netz.

- Reinigen Sie dieses Produkt nur mit einem fusselfreien, leicht feuchten Tuch und verwenden Sie keine aggressiven Reiniger.
- Reinigen Sie die Ohrpolster aus hygienischen Gründen regelmäßig mit nicht alkoholischen Mitteln.

10. Haftungsausschluss

Die Hama GmbH & Co KG übernimmt keinerlei Haftung oder Gewährleistung für Schäden, die aus unsachgemäßer Installation, Montage und unsachgemäßem Gebrauch des Produktes oder einer Nichtbeachtung der Bedienungsanleitung und/oder der Sicherheitshinweise resultieren.

11. Service und Support

Bitte wenden Sie sich bei Fragen zum Produkt gerne an die Hama-Produktberatung.

Hotline: +49 9091 502-115 (Deu/Eng)

Weitere Supportinformationen finden Sie hier:

www.hama.com

12. Entsorgungshinweise

Hinweis zum Umweltschutz:



Ab dem Zeitpunkt der Umsetzung der europäischen Richtlinien 2012/19/EU und 2006/66/EG in nationales Recht gilt folgendes: Elektrische und elektronische

Geräte sowie Batterien dürfen nicht mit dem Hausmüll entsorgt werden. Der Verbraucher ist gesetzlich verpflichtet, elektrische und elektronische Geräte sowie Batterien am Ende ihrer Lebensdauer an den dafür eingerichteten, öffentlichen Sammelstellen oder an die Verkaufsstelle zurückzugeben.

Einzelheiten dazu regelt das jeweilige Landesrecht. Das Symbol auf dem Produkt, der Gebrauchsanleitung oder der Verpackung weist auf diese Bestimmungen hin. Mit der Wiederverwertung, der stofflichen Verwertung oder anderen Formen der Verwertung von Altgeräten/Batterien leisten Sie einen wichtigen Beitrag zum Schutz unserer Umwelt.

13. Konformitätserklärung



Hiermit erklärt die Hama GmbH & Co KG, dass der Funkanlagentyp [00131991] der Richtlinie 2014/53/EU entspricht. Der vollständige Text der EU-Konformitätserklärung ist unter der folgenden Internetadresse verfügbar: www.hama.com -> 00131991 -> Downloads.

Le agradecemos que se haya decidido por un producto de Thomson.

Tómese tiempo y léase primero las siguientes instrucciones e indicaciones. Después, guarde estas instrucciones de manejo en un lugar seguro para poder consultarlas cuando sea necesario. Si vende el aparato, entregue estas instrucciones de manejo al nuevo propietario.

1. Explicación de los símbolos de aviso y de las indicaciones

Peligro de sufrir una descarga eléctrica

Este símbolo hace referencia al peligro de contacto con partes no aisladas del producto que pueden conducir una tensión peligrosa de una intensidad tal que puede provocar una descarga eléctrica.

Aviso

Se utiliza para caracterizar las indicaciones de seguridad o para llamar la atención sobre peligros y riesgos especiales.

Nota

Se utiliza para caracterizar informaciones adicionales o indicaciones importantes.

2. Vista general

Receptor/auriculares - Fig. 1

1. Interruptor on/off
2. Indicador de señal led (funcionamiento, estado de Bluetooth o indicador de estado de la batería)
3. Regulador de volumen (0= volumen mínimo, 10= volumen máximo)
4. Regulador de la balanza (R = derecha/L = izquierda)

Receptor/auriculares - Fig. 2

5. Botón de reproducción (Play)/pausa/aceptar llamada/colgar
6. Botón de micrófono/sincronización Bluetooth (vinculación)
7. Micrófono integrado
8. Contactos de carga de auriculares
9. Lado izquierdo de los auriculares (gris) con articulación esférica
10. Lado derecho de los auriculares (rojo) con articulación esférica

Estación de carga/emisor - Fig. 3

11. Contactos de carga del emisor
12. Indicador de señal led (funcionamiento o estado de Bluetooth)

Parte trasera de la estación de carga/emisor - Fig. 4

13. Conexión de corriente/fuente de alimentación (fuente de alimentación con 5,5 V - 550 mA)
14. Botón «Pair» para sincronizar/vincular (estación de carga para auriculares)
15. Conexión «Audio-In» para conexión de audio analógico (jack de 3,5 mm o mediante adaptador RCA)
16. Selector de entrada para conexión de audio

3. Contenido del paquete

- Auriculares/receptor con batería de polímero de litio integrada
- Emisor/estación de carga
- Fuente de alimentación enchufable
- Cable adaptador de audio analógico (rojo/blanco) -
- 2 RCA a jack estéreo hembra de 3,5 mm
- Cable de audio analógico (jack estéreo hembra de 3,5 mm en ambos extremos en azul)
- Cable óptico electroluminiscente de audio (Toslink/ODT) en negro
- 2 pares de almohadillas para los oídos

4. Instrucciones de seguridad

Aviso

- Este producto ha sido desarrollado especialmente para personas con capacidad auditiva limitada, entre otros trastornos. Por ello, es capaz de generar volúmenes excepcionalmente elevados.
- Antes de utilizar este producto, aquellas personas con capacidad auditiva normal deberán ajustar el volumen del dispositivo de reproducción conectado al volumen mínimo.
- Este dispositivo transmite señales a una frecuencia de 2400 MHz. Antes de comprar este producto, aquellas personas con marcapasos deberán consultar a un médico, puesto que el funcionamiento del marcapasos puede verse afectado por el funcionamiento de este artículo.
- ¡Nivel acústico elevado!
- Existe riesgo de sufrir daños auditivos.
- Para evitar la pérdida de audición, evite la escucha a niveles acústicos elevados durante periodos prolongados de tiempo.
- El uso del producto le limita la percepción de ruidos del entorno. Por tanto, no maneje vehículos o máquinas mientras usa el producto.
- Mantenga siempre el volumen a un nivel razonable. Los volúmenes altos pueden causar daños auditivos, también en caso de exposición breve a ellos.



- Proteja el producto de la suciedad, la humedad y el sobrecalentamiento y utilícelo sólo en recintos secos.
- No opere el producto en las inmediaciones de la calefacción, de otras fuentes de calor o bajo la radiación directa del sol.
- Utilice el artículo exclusivamente con condiciones climáticas moderadas.
- Este aparato, como todos los aparatos eléctricos, no debe estar en manos de los niños.
- No opere el producto fuera de los límites de potencia indicados en los datos técnicos.
- No utilice el producto en entornos húmedos y evite el contacto con las salpicaduras de agua.
- No coloque ningún recipiente lleno de líquido, como p. ej. jarrones con flores, sobre los auriculares o en el entorno próximo de los auriculares. El recipiente puede volcarse y el líquido puede afectar a la seguridad eléctrica.

- Mantenga el material de embalaje fuera del alcance de los niños, existe peligro de asfixia.
- La pila recargable está montada de forma fija y no se puede retirar.
- Nunca abra, deteriore o ingiera baterías o pilas recargables o las deseche en el medio ambiente. Pueden contener metales pesados tóxicos y dañinos para el medio ambiente.
- No modifique ni deforme/caliente/desensamble las pilas recargables/baterías.
- El producto es para el uso doméstico privado, no comercial.
- Emplee el producto exclusivamente para la función para la que fue diseñado.
- Se debe vigilar a los niños para asegurarse de que no juegan con el aparato.
- No utilice el producto en áreas donde no se permitan aparatos electrónicos.
- Tienda todos los cables de modo que no constituyan un peligro de tropezar.
- No doble ni aplaste el cable.
- No deje caer el producto ni lo someta a sacudidas fuertes.
- Deseche el material de embalaje en conformidad con las disposiciones locales sobre el desecho vigentes.
- No realice cambios en el aparato. Esto conllevaría la pérdida de todos los derechos de la garantía.

Peligro de sufrir una descarga eléctrica



- No abra el producto y no lo siga operando de presentar deterioros.
- No utilice el producto si el adaptador de AC, el adaptador del cable o el cable eléctrico están dañados.
- No intente mantener o reparar el aparato por cuenta propia. Encomiende cualquier trabajo de mantenimiento al personal especializado competente.

5. Introducción

Estos AURICULARES ESTETOSCÓPICOS INALÁMBRICOS DIGITALES opera con la más moderna tecnología Bluetooth inalámbrica y permite a las personas de elevada edad poder disfrutar de un sonido claro y nítido mientras ven la TV o escuchan música en casa. Además, ofrece la posibilidad de conectar un smartphone o una tableta al mismo tiempo (Multipoint = pueden conectarse dos dispositivos al mismo tiempo con estos auriculares).

Basta con conectar el emisor a la fuente de audio deseada: Reproductor de DVD o CD, TV, equipo HiFi, smartphone o tableta. En cuestión de un minuto podrá disfrutar de un sonido potente y dinámico sin cableados complicados y mediante una sencilla instalación Plug/Pair & Play. No importa si utiliza la conectividad a través de conexiones analógicas (RCA o jack), digitales (ópticas) o conexión inalámbrica directa (vía Bluetooth).

6. Funcionamiento general

- Tecnología Bluetooth inalámbrica a 2.4 GHz
- Estación de carga con indicador led
- Desconexión automática del producto de la conexión Bluetooth directa (si el auricular está conectado a la estación de carga)

- Modo silencio para la grabación de conversaciones gracias al micrófono interno o conmutación automática a smartphone/tableta para multivinculación/aceptación de llamadas
- Sistema de carga rápida (aprox. 2-3 horas para la carga completa de los auriculares)
- Regulación de volumen para adaptación individual
- Regulación del balance izquierda/derecha
- Botón de reproducción/pausa o de aceptación de llamadas en la correa de la barbilla para pausa de sonido o función de smartphone/tableta
- Indicador led de estado sobre el funcionamiento/indicador de estado de batería o para el indicador de estado de la conexión/vinculación Bluetooth
- Selector para la conexión analógica o digital de la fuente de audio en la estación emisora/de carga
- 2 tamaños de almohadillas para los oídos para una adaptación individual
- Con smartphone/tableta conectados: Indicador de batería de los auriculares (dependiendo de la función del smartphone/tableta)

7. Datos técnicos

Modo de emisión	Tecnología Bluetooth inalámbrica
Frecuencia portadora	2,4 GHz
Tensión de servicio del emisor	5 V, 550 mA
Tensión de servicio del receptor	3,7 V, 380 mAh mediante batería de polímero de litio
Rango de frecuencia	20 Hz – 20 kHz
Distorsión	<1 %
Relación señal/ruido	>70 dB
Alcance	10 m
Tiempo en conversación/reproducción de música	Volumen máx.: 5 h Volumen medio: 6 h Volumen mín.: 8 h con la batería a plena carga
Standby	250 h
Tecnología Bluetooth	Bluetooth V4.1
Perfil Bluetooth	HSP, HFP, A2DP, AVRCP, SPP
Batería	Batería de polímero de litio integrada 3,7 V
Capacidad de la batería	380 mA
Banda de frecuencia/bandas de frecuencia	2402–2480 MHz
Potencia de emisión emitida máx.	4 dBm

8. Instalación del emisor fig. 4 + 5 + 6

Aviso



- Utilice el producto sólo conectado a una toma de corriente autorizada. La toma de corriente debe estar colocada cerca del producto y de forma accesible.
 - Desconecte el producto de la red eléctrica mediante el interruptor on/off – de no existir éste, desenchufe el cable eléctrico de la toma de corriente.
 - En caso de tomas de corriente múltiples, asegúrese de que los consumidores conectados no sobrepasan el consumo total de potencia admisible.
 - Desconecte el producto de la red si no va a emplearse durante un tiempo prolongado.
- Conecte la fuente de alimentación con la hembra de conexión situada en la parte posterior del emisor (fig. 5). La coincidencia de colores (amarillo) de la estación de carga sirve de ayuda. La conexión a la conexión eléctrica se realiza en el paso siguiente.

Ahora hay 3 posibilidades de conexión:

- A) Conexión de audio analógica, por ejemplo, TV/HiFi a través de un jack de 3,5 mm o un cable adaptador RCA.
- B) Conexión digital óptica p. ej. TV/HiFi/Soundbar mediante cable Toslink
- C) Conexión Bluetooth directa de TV/HiFi/Soundbar directamente con los auriculares con correa de barbilla

Las conexiones deben realizarse de la forma correspondiente dependiendo del tipo de conexión.

8.1 Posibilidades de conexión por cable

8.1.1 Conexión de audio analógico mediante jack o conexión RCA (fig. 4 + 6)

- El cable jack se utiliza a menudo para la conexión de auriculares de TV/HiFi. En este caso, se conecta un extremo del cable jack a la conexión de auriculares del televisor y el otro extremo al conector hembra de la estación emisora/de carga. La coincidencia de colores (azul) de la estación de carga (conector hembra n.º 5 de la fig. 4) sirve de ayuda.
- El cable RCA se utiliza a menudo para salidas de audio externas de p. ej. SET-TOP-BOX/HiFi o TV para proporcionar una señal de audio directa (a menudo marcada con hembrillas de conexión blancas y rojas). Conecte el cable jack (conectores azules) y el cable adaptador RCA (conectores rojos/blancos): Conecte los conectores RCA según la fuente de salida de audio (p. ej. HiFi/STB o TV). Los colores sirven como marcas de derecha/izquierda, donde el rojo siempre representa la derecha. Conecte el otro extremo (conector jack azul) al conector hembra del emisor/estación de carga. La coincidencia de colores (azul) de la estación de carga sirve de ayuda. (conector hembra n.º 5 de la fig. 4).

8.1.2 Conexión de audio digital a través del cable Toslink/ODT:

La conexión de audio óptica digital es la que puede crear la

mejor calidad de conexión por cable (sin retardos entre la imagen y el sonido). Afloje las tapas antipolvo del cable por ambos lados y conéctelas a la TV/HiFi/Soundbar, por un lado, y a la estación emisora/de carga, por otro. Tenga en cuenta que los conectores tienen guías. La coincidencia de colores (negro) de la estación de carga (conector hembra n.º 7 de la fig. 4) sirve de ayuda.

Para una conexión por cable (punto 8.1.1.1 u 8.1.2) con el emisor/la estación de carga, seleccione la fuente de entrada correspondiente (interruptor n.º 6 de la fig. 4).

8.1.3 Puesta en funcionamiento de auriculares con emisor/estación de carga

Aviso



- Utilice solo cargadores adecuados para la carga.
- No siga utilizando cargadores defectuosos ni intente repararlos.
- No sobrecargue ni descargue totalmente el producto.
- Evite el almacenamiento extrema, la carga y el uso en condiciones de temperatura extrema.
- En caso de almacenamiento prolongado, cárguelo regularmente (mín. trimestralmente).

Nota



Dependiendo del televisor, este se silencia al utilizar la conexión de auriculares de audio de 3,5 mm; en caso necesario, es posible que tenga que ajustar el volumen de los auriculares en el menú del televisor (para el uso del sistema de auriculares inalámbricos se recomienda ajustar el volumen de los auriculares aprox. entre el 80 y el 90 %). El ajuste de los altavoces del televisor a menudo no se ve afectado o debe ajustarse en consecuencia



Nota



Antes del primer uso, asegúrese de que la batería está plenamente cargada. Cargue la batería al menos durante 3 horas antes de proceder a usar el dispositivo por primera vez. Asegúrese de que los auriculares permanecen apagados y fuera de funcionamiento durante el proceso de carga.

8.1.3.1 Activación y conexión de dispositivos vinculados (emisor/estación de carga de auriculares con correa de barbilla)

Asegúrese de que los auriculares no estén conectados a la estación de carga para la primera puesta en funcionamiento. En el estado de suministro, tanto el emisor/estación de carga como los auriculares con correa de barbilla ya están vinculados/sincronizados. Ahora conecte los auriculares con correa de barbilla en «ON» (fig. 1 con interruptor n.º 1). El led de los auriculares con correa de barbilla (fig. 1 n.º 2) parpadea lentamente en AZUL. Ahora conecte la fuente de alimentación en la toma de corriente prevista para ello (fig. 5). El emisor/estación de carga parpadea rápidamente (fig. 3 led n.º 2), luego más lento y permanece constantemente iluminado en AZUL si la conexión es correcta.

Primero ajuste el volumen de los auriculares a un nivel bajo antes de ponérselos por primera vez. Ahora puede disfrutar de su fuente de audio analógica (TV/HiFi o similar).

8.1.3.2 Vinculación/sincronización entre el emisor y el receptor (estación de carga con auriculares con correa de barbilla).

Si en el estado de suministro no viene establecida la vinculación/sincronización entre el emisor y el receptor (ambos led de la estación de carga y la correa de la barbilla parpadean continuamente), es necesario realizar una vinculación/sincronización manual.

- Para ello, conecte primero el cable de red en el conector hembra de la estación de carga (fig. 4 conector hembra n.º 3/amarillo).
- Asegúrese de que la correa de la barbilla está apagada (fig. 1 interruptor n.º 1 en «OFF»).
- Ahora conecte la correa de la barbilla (fig. 1 interruptor n.º 1 en «ON»).
- Pulse el botón del micrófono/sincronización (fig. 2 botón n.º 6) durante unos 7 segundos. El led comenzará a parpadear rápidamente en AZUL.

Nota

Si el led se ilumina en VERDE, no ha pulsado el botón el tiempo suficiente. Repita el proceso.

- Ahora conecte el cable de red de la estación emisora en el conector hembra de la estación de carga (fig. 4 conector hembra 3 / amarillo) y pulse el botón «PAIR» (fig. 4 botón.º 4) durante unos 1 segundos.
- Espere unos segundos (hasta 15 segundos) hasta que el emisor y el receptor estén sincronizados/vinculados. Si la vinculación tiene éxito, ambos ledes ahora se iluminan de forma constante en AZUL.
- Ahora puede disfrutar de su fuente de audio analógica tal y como se describe en el apartado 8.1.3.1.

Nota

- Tenga en cuenta que el sistema se apaga automáticamente si el emisor y la correa de la barbilla no están vinculados en 2 minutos.
- La transmisión del emisor se desconecta automáticamente cuando los auriculares con correa de barbilla se conectan a la estación emisora/de carga (proceso de carga). Para la reconexión, los auriculares con correa de barbilla deben desconectarse de la estación y el interruptor On/Off debe estar apagado y volver a encenderse (la vinculación ahora es automática).

8.2 Posibilidades de conexión inalámbrica (vía Bluetooth)

Tiene la posibilidad de crear una conexión Bluetooth directa entre la TV/HiFi/Soundbar o smartphone/tableta (siempre con la tecnología Bluetooth) y los auriculares con correa de barbilla.

En este caso, solo es posible la función adicional de llamada telefónica con la aceptación o terminación de llamada.

8.2.1.1 Conexión inicial Bluetooth (sincronización)

Nota: Sincronización

- Asegúrese de que su terminal compatible con Bluetooth está encendido y de que el Bluetooth está activado.
- Asegúrese de que su terminal compatible con Bluetooth es visible para otros dispositivos Bluetooth.
- Tenga en cuenta también las instrucciones de uso de su terminal.

Nota: Conexión Bluetooth con TV/HiFi/Soundbar o smartphone/tableta

- Asegúrese de que su dispositivo (TV/HiFi/Soundbar/smartphone, etc.) sea compatible con los auriculares con correa de barbilla Bluetooth.
- Compruebe si debe efectuar la sincronización a través del menú de sonido/audio o a través del menú de conexión. Así evitará una conexión con otros accesorios como, por ejemplo, teclados.
- Para ello, observe las instrucciones de uso de su televisor. Además, cada una de las funciones debe ser compatible con su terminal (este debe ser compatible con perfiles Bluetooth).
- Entre los auriculares y el terminal no debe haber más de un metro de separación. Cuanto menor sea la distancia entre ellos, mejor. Además, cada una de las funciones debe ser compatible con su terminal (este debe ser compatible con perfiles Bluetooth).
- Asegúrese de que los auriculares estén cargados.
- Asegúrese de que primero la estación emisora/de carga esté desconectada de la red eléctrica (fig. 4 conector hembra n.º 3/amarillo).
- Asegúrese de que la correa de la barbilla está apagada (fig. 1 interruptor n.º 1 en «OFF»).
- Ahora vuelva a conectar la correa de la barbilla (fig. 1 interruptor n.º 1 en «ON»).
- Pulse el botón del micrófono/sincronización (fig. 2 botón n.º 6) durante unos 7 segundos. El led comenzará a parpadear rápidamente en AZUL. Los auriculares ahora buscan una conexión Bluetooth.

Nota

Si el led se ilumina en VERDE, no ha pulsado el botón el tiempo suficiente. Repita el proceso.

- Abra ahora la configuración de Bluetooth de su terminal (por ejemplo, TV/HiFi o smartphone) para buscar dispositivos y espere hasta que aparezca «WHP6309BT» en la lista.
- Seleccione «WHP6309BT» y espere hasta que los auriculares con correa de barbilla se muestren como «conectados» (connected) en la configuración Bluetooth de su terminal. El led de los auriculares parpadea lentamente en verde durante la pausa de sonido o constantemente en azul durante la reproducción.
- Ahora puede utilizar los auriculares.

- Tenga cuidado de controlar el volumen de los dispositivos vinculados con Bluetooth a través de ellos. En primer lugar, reduzca el volumen del dispositivo (p. ej., TV/smartphone) a 1/3 del volumen máximo (para evitar daños en los oídos) y, a continuación, ajuste el volumen máximo de los auriculares con correa de barbilla.

Nota: Contraseña Bluetooth



Algunos terminales requieren una contraseña para instalar la conexión con otro dispositivo Bluetooth.

- Para la conexión con los auriculares, introduzca la contraseña 0000 si el terminal lo requiere.

8.2.1.2 Conexión Bluetooth automática (una vez realizada la sincronización)

Los auriculares con correa de barbilla se conectan automáticamente al encenderse (fig. 1 interruptor n.º 1 en «ON») con dispositivos ya vinculados/sincronizados.

8.3 Sincronización multipoint (conexión por cable combinada con conexión inalámbrica [Bluetooth])

Además de la conexión por cable (p. ej. de la TV/HiFi), también puede establecer una conexión inalámbrica con los auriculares con correa de barbilla. Esto le permite, por ejemplo, aceptar conversaciones (llamadas) a través de su smartphone al mismo tiempo que ve la televisión.

Nota



Para ello, el sistema de auriculares inalámbricos WHP6309BT debe tener ya una conexión inalámbrica activa (Bluetooth) tal y como se describe en el capítulo 8.2 (p. ej. smartphone).

- Ahora desconecte la conexión inalámbrica del dispositivo (p. ej. Bluetooth en el smartphone en «OFF»)
- Desconecte el cable de red del conector hembra de la estación de carga (fig. 4 conector hembra n.º 3/amarillo)
- Asegúrese de que la correa de la barbilla está apagada (fig. 1 interruptor n.º 1 en «OFF»).
- Ahora conecte la correa de la barbilla (fig. 1 interruptor n.º 1 en «ON»).
- Pulse el botón del micrófono/sincronización de la correa de barbilla (fig. 2 botón n.º 6) durante unos 7 segundos. El led comenzará a parpadear rápidamente en AZUL.

Nota



Si el led se ilumina en VERDE, no ha pulsado el botón el tiempo suficiente. Repita el proceso.

- Ahora conecte el cable de red de la estación emisora en el conector hembra de la estación de carga (fig. 4 conector hembra n.º 3/amarillo) y pulse el botón «PAIR» una vez (fig. 4 botón n.º 4). El led de la estación de carga parpadeará rápidamente en color AZUL.
- Espere unos segundos (hasta 15 segundos) hasta que el emisor y el receptor estén sincronizados/vinculados. Si la vinculación tiene éxito, ambos ledes ahora se iluminan de forma constante en AZUL.

- Tenga en cuenta que el sistema se apaga automáticamente si el emisor y la correa de la barbilla no están vinculados en 2 minutos. Lo mejor es reproducir la fuente de audio (TV/HiFi) para asegurarse de que la conexión está activa.
- Ahora active el Bluetooth en el dispositivo (p. ej. Bluetooth del smartphone en «ON») y seleccione la conexión Bluetooth ya **vinculada/sincronizada** «WHP6309BT».
- Ahora están vinculadas tanto la variante de conexión por cable como la variante de conexión inalámbrica Bluetooth (similar a la multivinculación).
- Ahora también se puede, por ejemplo, aceptar llamadas telefónicas mientras se ve la televisión.

8.4 Proceso de carga fig. 7

Asegúrese de que la correa de la barbilla está apagada antes del proceso de carga (fig. 1 interruptor n.º 1 en «OFF»). Coloque los auriculares sobre la estación emisora asegurándose de que los contactos de carga hacen contacto con los pines de carga del emisor. El proceso de carga se inicia de forma automática. El indicador led parpadea lentamente en VERDE (fig. 1 led n.º 2) durante el proceso de carga. Una vez cargada completamente la batería, el led se mantiene continuamente iluminado en VERDE. El tiempo de carga para la carga completa es de aprox. 2 horas.

Nota



Para evitar daños en las baterías, asegúrese siempre de apagar los auriculares cuando no estén usándose. Las baterías deben estar completamente cargadas antes del primer uso. Se requiere una carga inicial de tres horas de duración para garantizar una vida útil aceptable de la batería. Asegúrese de que los auriculares con correa de barbilla permanecen apagados durante el proceso de carga.

8.5 Otras funciones

8.5.1.1 Información general del uso del micrófono y pausa de sonido (fig. 2 botón n.º 6) + led (fig. 1 led n.º 2)

Tiene la posibilidad de utilizar un micrófono integrado incluso durante la escucha (TV/HiFi) para encenderlo (el led se ilumina en VERDE cuando está encendido) y captar el sonido de los alrededores (por ejemplo, el timbre de la puerta o las conversaciones).

Nota



Tenga en cuenta la alta sensibilidad del micrófono para evitar daños en los oídos.



Con el botón de reproducción/pausa también tiene la posibilidad de pausar el sonido de audio en cualquier momento (fig. 2 botón n.º 5). Tenga en cuenta que el led del auricular parpadea lentamente en VERDE (durante la reproducción es constantemente AZUL).

8.5.1.2 Uso del micrófono para llamadas telefónicas (Bluetooth con smartphone/tableta) (fig. 2 botón n.º 5) + led (fig. 1 led n.º 2)

Con una conexión Bluetooth inalámbrica activa con smartphone/tableta puede utilizar el botón de reproducción/pausa (fig. 2 botón n.º 5) para aceptar llamadas y utilizar el micrófono (siempre y cuando el terminal sea compatible). El led parpadea en verde/azul cuando suena el timbre y se ilumina en azul durante la llamada. La reproducción de audio existente se pausa hasta que finaliza la llamada.

8.5.1.3 Regulación de balance (fig. 1 regulador n.º 4)

Mediante el regulador tiene la posibilidad de equilibrar la escucha diferenciada entre la derecha y la izquierda.

8.5.1.4 Información sobre el estado de la batería (auriculares con correa de barbilla)

Si el nivel de la batería de la correa de la barbilla es bajo, el led (fig. 1 led n.º 2) comenzará a parpadear lentamente en AZUL.

8.6 Búsqueda de fallos

8.6.1 No hay sonido

- Compruebe si la fuente de alimentación enchufable está completamente conectada a la toma de corriente y si su otro extremo está correctamente conectado al conector hembra de entrada de la fuente de alimentación del emisor.
- Asegúrese de que el botón On/Off se encuentra en la posición «ON» tanto en el emisor como en los auriculares.
- Es posible que la carga restante de la batería de los auriculares sea demasiado baja. Cargue la batería.
- Compruebe si su TV, equipo HiFi o componente de audio está encendido y si se ha ajustado un canal para la transmisión de audio.
- Es posible que el nivel de salida (volumen) de la fuente de audio sea demasiado bajo. Ajuste el volumen como corresponda.
- Aumente el volumen mediante el regulador situado en los auriculares.
- ¿Está activado el botón de pausa de sonido de los auriculares (el led del auricular parpadea lentamente en VERDE)?
- ¿Es posible que el dispositivo de audio/vídeo conectado no se encuentre en el modo de reproducción? Actívelo como corresponda.

9. Mantenimiento y cuidado

Nota

Desconecte el dispositivo de la red eléctrica antes de limpiarlo y cuando no lo vaya a utilizar durante un período de tiempo prolongado.

- Limpie este producto sólo con un paño ligeramente humedecido que no deje pelusas y no utilice detergentes agresivos.
- Por motivos de higiene, limpie las almohadillas de los oídos regularmente con productos sin alcohol.

7. Exclusión de responsabilidad

Hama GmbH & Co KG no se responsabiliza ni concede garantía por los daños que surjan por una instalación, montaje o manejo incorrectos del producto o por la no observación de las instrucciones de manejo y/o de las instrucciones de seguridad.

8. Servicio y soporte

Si tiene que hacer alguna consulta sobre el producto, diríjase al asesoramiento de productos Hama.

Línea directa: +49 9091 502-115 (Alemán/Inglés)

Encontrar más información de soporte aquí: www.hama.com

9. Instrucciones para desecho y reciclaje

Nota sobre la protección medioambiental:



Después de la puesta en marcha de la directiva Europea 2012/19/EU y 2006/66/EU en el sistema legislativo nacional, se aplicará lo siguiente: Los aparatos eléctricos y electrónicos, así como las baterías, no se deben evacuar en la basura doméstica. El usuario está legalmente obligado a llevar los aparatos eléctricos y electrónicos, así como pilas y pilas recargables, al final de su vida útil a los puntos de recogida comunales o a devolverlos al lugar donde los adquirió. Los detalles quedaran definidos por la ley de cada país. El símbolo en el producto, en las instrucciones de uso o en el embalaje hace referencia a ello. Gracias al reciclaje, al reciclaje del material o a otras formas de reciclaje de aparatos/pilas usados, contribuye Usted de forma importante a la protección de nuestro medio ambiente.

10. Declaración de conformidad

CE Por la presente, Hama GmbH & Co KG, declara que el tipo de equipo radioeléctrico [00131991] es conforme con la Directiva 2014/53/UE. El texto completo de la declaración UE de conformidad está disponible en la dirección Internet siguiente: www.hama.com -> 00131991 -> Downloads.

Grazie per avere acquistato un prodotto Thomson!

Prima della messa in esercizio, leggete attentamente le seguenti istruzioni e avvertenze, quindi conservatele in un luogo sicuro per una eventuale consultazione. In caso di cessione dell'apparecchio, consegnate anche le presenti istruzioni al nuovo proprietario.

1. Spiegazione dei simboli di avvertimento e delle indicazioni

Pericolo dovuto a scossa elettrica

Questo simbolo indica un pericolo dovuto al contatto con parti non isolate del prodotto che potrebbero provocare una tensione pericolosa di entità tale da generare il pericolo di una scossa elettrica.

Attenzione

Viene utilizzato per contrassegnare le indicazioni di sicurezza oppure per rivolgere l'attenzione verso particolari rischi e pericoli.

Avvertenza

Viene utilizzato per contrassegnare informazioni supplementari o indicazioni importanti.

2. Panoramica

Ricevitore / Cuffie - Fig. 1

1. Interruttore On/Off
2. Indicatore LED (funzionamento, funzionamento Bluetooth oppure stato della batteria)
3. Regolatore volume audio (0 = volume minimo, 10 = volume massimo)
4. Regolatore bilanciamento (R =destra/ L = sinistra)

Ricevitore / Cuffie - Fig. 2

5. Tasti per la riproduzione (Play) / Pausa / Rispondere chiamata / Terminare chiamata
6. Tasto per il microfono / Bluetooth pairing (accoppiamento)
7. Microfono integrato
8. Contatti di carica cuffie
9. Parte sinistra delle cuffie (grigia) con snodo sferico
10. Parte della delle cuffie (rossa) con snodo sferico

Stazione di carica/Trasmettitore - Fig. 3

11. Contatti di carica trasmettitore
12. Indicatore LED (funzionamento e stato Bluetooth)

Stazione di carica/Lato posteriore trasmettitore - Fig. 4

13. Corrente elettrica/Alimentatore (alimentatore con 5,5V - 550mA)
14. Tasto "Pair" per pairing/accoppiamento (stazione di carica verso le cuffie)
15. Collegamento „Audio-In“ per la connessione audio (jack da 3,5mm e adattatore cinch)
16. Interruttore di selezione ingresso per la connessione audio

3. Contenuto della confezione

- Cuffie/Ricevitore con batteria ai polimeri di litio integrata
- Trasmettitore/Stazione di carica
- Alimentatore a spina
- Cavo adattatore per audio analogico (rosso/bianco) –
- 2x cinch per l'accoppiamento jack stereo da 3,5 mm
- Cavo audio analogico (presa jack stereo 3,5 mm su entrambe le estremità blu)
- Cavo audio a conduttore ottico (Toslink/ODT) nero
- 2 coppie di cuscinetti per cuffia

4. Indicazioni di sicurezza:

Attenzione

- Questo prodotto è stato sviluppato in particolare per le persone con ridotte capacità uditive. Perciò può raggiungere un volume insolitamente alto.
- Prima di utilizzare questo prodotto, le persone con capacità uditive normali dovrebbero impostare al minimo il volume del riproduttore collegato.
- Questo dispositivo trasmette i segnali ad una frequenza di 2400 MHz. Prima dell'acquisto del prodotto, i portatori di pace-maker dovrebbero consultare il medico per evitare che l'utilizzo di questo articolo comprometta il funzionamento del pace-maker.
- Elevata pressione sonora!
- Si corre il rischio di danni all'udito.
- Per evitare la perdita di udito non ascoltare con il volume molto alto per lunghi periodi di tempo. L'utilizzo del prodotto limita la percezione dei rumori ambientali. Perciò, durante l'utilizzo, non manovrare veicoli o macchine.
- Regolare il volume su un livello adeguato. Il volume troppo forte può causare danni all'udito, anche per breve durata.



- Proteggere il prodotto da sporcizia, umidità e surriscaldamento e utilizzarlo solo in ambienti asciutti.
- Evitare di mettere in esercizio il prodotto in prossimità di riscaldamento, altre fonti di calore o la luce diretta del sole.
- Utilizzare l'articolo solo nelle condizioni climatiche moderate.
- Tenere questo apparecchio, come tutte le apparecchiature elettriche, fuori dalla portata dei bambini!
- Non mettere in esercizio il prodotto al di fuori dei suoi limiti di rendimento indicati nei dati tecnici.
- Non usare il prodotto in ambienti umidi ed evitare il contatto con gli spruzzi.
- Non posizionare contenitori con liquidi, ad es. un vaso di fiori, sul o nelle vicinanze del prodotto. Il contenitore potrebbe capovolgersi e il liquido compromettere la sicurezza elettrica.
- Tenere l'imballo fuori dalla portata dei bambini, pericolo di soffocamento!
- L'accumulatore è fisso e non può essere rimosso.
- Non aprire mai batterie o batterie ricaricabili, non danneggiarle, ingerirle, né disperderle nell'ambiente. Possono contenere metalli pesanti dannosi e tossici.

- Non modificare, né deformare, surriscaldare, smontare le batterie/le batterie ricaricabili.
- Il prodotto è concepito per l'uso domestico privato, non commerciale.
- Utilizzare il prodotto esclusivamente per lo scopo previsto.
- Sorvegliare i bambini per accertarsi che non giochino con l'apparecchio.
- Non utilizzare il prodotto in zone in cui non sono ammesse le apparecchiature elettroniche.
- Disporre tutti i cavi in modo da non inciamparsi.
- Non piegare, né schiacciare il cavo.
- Non fare cadere il prodotto e non sottoporlo a forti scossoni!
- Smaltire immediatamente il materiale d'imballaggio attenendosi alle prescrizioni locali vigenti.
- Non apportare modifiche all'apparecchio per evitare di perdere i diritti di garanzia.

Pericolo dovuto a scossa elettrica



- Non aprire il prodotto e non utilizzarlo più se danneggiato.
- Non utilizzare il prodotto se l'adattatore AC, il cavo adattatore o il cavo di rete sono danneggiati.
- Non tentare di aggiustare o riparare l'apparecchio da soli. Fare eseguire qualsiasi lavoro di riparazione al personale specializzato competente.

5. Introduzione

Queste CUFFIE DIGITALI WIRELESS utilizzano l'ultimissima tecnologia radio che consente anche alle persone più anziane di guardare la TV e ascoltare la musica godendosi un suono puro e cristallino. Allo stesso tempo permettono anche di collegare contemporaneamente uno smartphone o un tablet (multipoint = due dispositivi possono essere contemporaneamente collegati alle cuffie).

Collegare il trasmettitore alla sorgente audio desiderata: lettore DVD, lettore CD, TV, impianto Hi-Fi, smartphone o tablet. Senza cablaggi complicati, grazie ad una semplice installazione Plug/Pair & Play potrete ottenere in pochi minuti un sound vivo e coinvolgente. Non ha alcuna importanza se la connessione avviene tramite collegamenti analogici (jack o cinch), collegamenti digitali (ottici) oppure direttamente wireless (tramite Bluetooth).

6. Funzione generale

- Tecnologia Bluetooth Wireless 2.4 GHz
- Stazione di carica con indicatore LED
- Spegnimento automatico del prodotto in caso di collegamento diretto Bluetooth (quando le cuffie vengono inserite nella stazione di carica)
- Funzione mute per rispondere alle chiamate con il microfono interno e passaggio automatico allo smartphone o al tablet con la funzione multipairing/rispondere alle chiamate
- Sistema di carica veloce (sono necessarie ca. 2-3 ore per caricare completamente le cuffie)
- Regolazione del volume in base alle esigenze personali
- Regolazione bilanciamento a destra/a sinistra

- Play/Pause e tasto per rispondere alle chiamate sull'archetto per pausa audio e con la funzione smartphone/tablet
- Indicatore di stato del LED per funzionamento/batterie e per l'indicazione di stato della connessione/accoppiamento Bluetooth
- Interruttore di selezione tra collegamento analogico o digitale con la fonte audio sulla stazione di trasmissione/carica
- 2 misure dei cuscinetti auricolari per adattarli alle esigenze personali
- In funzionamento accoppiato smartphone/tablet: indicatore delle batterie per le cuffie (in base alla funzione smartphone/tablet)

7. Dati tecnici

Modalità di trasmissione	Tecnologia Wireless Bluetooth
Frequenza portante	2,4 GHz
Tensione di esercizio trasmettitore	5 V, 550 mA
Tensione di esercizio ricevitore	3,7 V, 380 mAh tramite batteria ai polimeri di litio
Gamma di frequenza	20 Hz – 20 kHz
Distorsione	< 1 %
Rapporto segnale/rumore	> 70 dB
Portata	10 m
Autonomia in conversazione/riproduzione musica	Volume max.: 5h Volume medio: 6h Min. Volume: 8 h con batteria carica
Standby	250 h
Tecnologia Bluetooth	Bluetooth V4.1
Profilo Bluetooth	HSP, HFP, A2DP, AVRCP, SPP
Batteria	batteria integrata da 3,7 V ai polimeri di litio
Capacità della batteria	380 mA
Banda di frequenza/Bande di frequenza	2402 – 2480 MHz
Potenza massima del segnale trasmesso	4 dBm

8. Installazione trasmettitore Fig. 4 + 5 + 6

Attenzione



- Collegare il prodotto solo a una presa appositamente omologata. La presa deve trovarsi nei pressi del prodotto ed essere facilmente accessibile.
- Scollegare il prodotto dalla rete mediante l'interruttore on/off; se questo non è presente, estrarre il cavo di rete dalla presa.
- Se si utilizzano prese multiple, prestare attenzione che le utenze collegate non superino la potenza totale assorbita.
- Collegare la radio dalla presa di rete se non la si utilizza per lungo tempo.
- Collegare l'alimentatore alla presa di allacciamento sul retro del trasmettitore (Fig. 5). Per facilitare l'operazione, collegare le parti dello stesso colore (giallo) sulla stazione di carica. Il collegamento alla presa di corrente avviene in un secondo tempo.

Vi sono solo 3 possibilità di collegamento:

- A) collegamento audio analogico da TV/HiFi tramite jack da 3,5 mm oppure cavo adattatore cinch
- B) Collegamento ottico ad es. a TV/HiFi/Soundbar tramite cavo Toslink
- C) Collegamento Bluetooth diretto ca TV/HiFi/Soundbar alle cuffie

In base al tipo di collegamento sono necessari i seguenti attacchi.

8.1 Tipi di collegamento via cavo

8.1.1 Collegamento audio analogico tramite presa jack o cinch (fig. 4 + 6)

- Il cavo jack viene spesso utilizzato per l'accoppiamento delle cuffie a TV/HiFi. Per fare ciò collegare una estremità del cavo jack con il collegamento per le cuffie sul televisore e l'altra estremità con la presa del trasmettitore/della stazione base. Per facilitare l'operazione collegare le parti dello stesso colore (blu) alla stazione di carica (presa n. 5 nella fig. 4).
- Il cavo cinch viene spesso utilizzato per uscite audio ad es. SET-TOP-BOX /HiFi oppure TV in modo da ottenere un segnale audio diretto (spesso contrassegnato da una presa di collegamento bianca e rossa). Per fare ciò collegare i cavo jack (spina blu) e il cavo adattatore cinch (spina rosso/bianca): Inserire quindi la spina cinch nella rispettiva uscita audio (ad es. HiFi/STB oppure TV). I colori contrassegnano destra/sinistra. Il rosso indica sempre destra. Quindi collegare l'altra estremità (spina jack blu) con la presa del trasmettitore/della stazione di carica. Per facilitare l'operazione collegare le parti dello stesso colore (blu) della stazione di carica. (Pres. n. 5 nella fig. 4).

8.1.2 Connessione audio digitale tramite cavo Toslink/ODT:

La connessione audio ottico digitale è il collegamento via cavo qualitativamente migliore (non vi sono ritardi tra video e audio) che si possa ottenere. Staccare i cappucci protettivi del cavo su entrambi i lati e collegare un'estremità a TV/HiFi/Soundbar e l'altra al trasmettitore/alla stazione base. Fare attenzione che le spine abbiano delle guide! Per facilitare l'operazione collegare le parti dello stesso colore (nero) alla stazione di carica (presa n. 7 nella fig. 4).

Selezionare quindi per il collegamento via cavo (Punto 8.1.1. oppure 8.1.2.) per il trasmettitore/stazione di carica una rispettiva fonte d'ingresso (interruttore n. 6 nella fig. 4).

8.1.3 Messa in esercizio delle cuffie con trasmettitore/stazione di carica

Attenzione



- Per la carica utilizzare esclusivamente caricabatterie idonei.
- Non utilizzare più caricabatterie difettosi e non cercare di ripararli.
- Non sovraccaricare, né scaricare interamente il prodotto.
- Evitare di conservare, caricare e utilizzare la batteria a temperature estreme.
- In caso di lungo inutilizzo, ricaricare regolarmente (almeno una volta ogni tre mesi).

Avvertenza



In base al tipo di televisore quando si utilizza la connessione audio 3,5 mm delle cuffie è necessario selezionare la modalità mute - in tal caso è necessario impostare anche sul menu del televisore il volume delle cuffie (consigliamo per l'uso del sistema cuffie WiFi un volume audio di ca. 80%-90%). L'impostazione del volume TV non necessariamente deve essere modificata e può restare invariata



Avvertenza



Prima del primo utilizzo, accertarsi che la batteria sia completamente carica. La prima volta la batteria deve essere caricata per almeno 3 ore. Accertarsi che durante il processo di carica le cuffie siano spente e non siano in funzione.

8.1.3.1 Attivare e collegare dispositivi accoppiati (trasmettitore/stazione di carica pe le cuffie con staffa)

Fare attenzione che durante la prima messa in esercizio le cuffie non si trovino nella stazione di carica!
Al momento della consegna sia il trasmettitore/la stazione di carica che le cuffie ad archetto sono già accoppiate/sincronizzate. Accendere ora le cuffie ad archetto con „ON“ (Fig. 1 con l'interruttore n. 1). Il LED sulle cuffie ad archetto (Fig. 1 n. 2) lampeggia lentamente con luce blu. Inserire ora l'alimentatore nella presa adatta (Fig. 5), il trasmettitore/la stazione di carica lampeggia dapprima velocemente (Fig. 3 LED n. 2), quindi lentamente e poi resta accesa con luce BLU quando il collegamento è stato effettuato con successo.

Impostare dapprima il volume audio delle cuffie al minimo prima di indossarle. Ora si può godere la propria fonte audio analogica (TV/HiFi o simile).

8.1.3.2 Accoppiamento/Pairing tra trasmettitore e ricevitore (dalla stazione di carica alle cuffie ad archetto).

Nel caso che al momento della consegna l'accoppiamento/ pairing tra trasmettitore e ricevitore non sia avvenuto (entrambi i LED sulla stazione di carica e sulle cuffie ad archetto lampeggiano continuamente) è necessario effettuare l'accoppiamento/pairing manualmente.

- Per fare ciò inserire dapprima l'alimentatore nella presa della stazione di carica (Fig. 4 presa n.3 / giallo).
- Accertarsi che le cuffie ad archetto siano spente (Fig. 1 interruttore n. 1 su "OFF").
- Accendere quindi l'archetto (Fig. 1 interruttore n. 1 su "ON").
- Premere il pulsante del microfono/tasto per il pairing (Fig. 2 tasto n.6) per ca. 7 secondi. Il LED inizia a lampeggiare velocemente a luce BLU.

Avvertenza

Nel caso che il LED si illuminasse di luce VERDE, significa che il tasto è stato premuto per troppo poco tempo. Ripetere l'operazione.

- Inserire ora l'alimentatore della stazione trasmittente nella presa della stazione di carica (Fig. 4 presa n. 3 / giallo) e premere il tasto „PAIR“ (Fig. 4 tasto n.4) per ca. 1 secondo.
- Attendere alcuni secondi (fino a 15 secondi) fino a che il trasmettitore e il ricevitore si siano sincronizzati/acoppiati. Quando l'accoppiamento è riuscito, il LED si illumina di luce fissa BLU.
- Ora è possibile godere dell'audio perfetto emesso dalla fonte come descritto al Punto 8.1.3.1.

Avvertenza

- Facciamo notare che il sistema si spegne automaticamente quando il trasmettitore e le cuffie ad archetto non sono accoppiate nel giro di 2 minuti!
- La trasmissione del trasmettitore si spegne automaticamente quando le cuffie ad archetto vengono inserite nella stazione di trasmissione/stazione di carica (fase di carica). Per eseguire nuovamente la connessione, è necessario staccare le cuffie ad archetto dalla stazione e l'interruttore On/Off deve essere prima spento e poi riaccessò (l'accoppiamento avviene ora automaticamente).

8.2 Tipi di collegamento senza fili (tramite Bluetooth)

C'è la possibilità di effettuare direttamente il collegamento Bluetooth tra TV/HiFi/Soundbar oppure Smartphone/Tablet (solo con la tecnologia Bluetooth) e le cuffie ad archetto. Inoltre è solo possibile la funzione telefono con risposta e terminazione delle chiamate.

8.2.1.1 Prima connessione Bluetooth (pairing)

Nota: Pairing

- Accertarsi che il terminale compatibile Bluetooth sia acceso e che la funzione Bluetooth sia attiva.
- Assicurarsi che il terminale con funzione Bluetooth sia riconoscibile dagli altri dispositivi Bluetooth.
- Consultare le istruzioni per l'uso del proprio terminale.

Nota: connessione Bluetooth con televisore/ HiFi/Soundbar oppure Smartphone/Tablet

- Assicurarsi che il proprio dispositivo (TV/HiFi/Soundbar/ Smartphone ecc.) sia compatibile con la funzione Bluetooth delle cuffie ad archetto.
- Controllare se sia necessario effettuare il pairing tramite il menu suono/audio oppure tramite il menu di connessione. Così si esclude la connessione con altri accessori come ad es. tastiere.
- Attenersi alle istruzioni per l'uso del televisore. Inoltre le singole funzioni devono essere supportate dal proprio terminale (devono essere supportati i profili Bluetooth).
- Le cuffie e il terminale non dovrebbero essere lontani più di 1 metro. Minore è la distanza, migliore è la connessione. Inoltre le singole funzioni devono essere supportate dal proprio terminale (devono essere supportati i profili Bluetooth).

- Assicurarsi che le cuffie siano cariche.
- Assicurarsi che dapprima la stazione di trasmissione/la stazione di carica sia scollegata dalla rete (Fig. 4 presa n.3 / giallo).
- Accertarsi che le cuffie ad archetto siano spente (Fig. 1 interruttore n. 1 su "OFF").
- Accendere quindi nuovamente l'archetto (fig. 1 interruttore n. 1 su "ON").
- Premere il pulsante del microfono/tasto per il pairing (Fig. 2 tasto n.6) per ca. 7 secondi. Il LED inizia a lampeggiare velocemente con luce BLU. La cuffia cerca un collegamento Bluetooth.

Avvertenza

Nel caso che il LED si illuminasse di luce VERDE, significa che il tasto è stato premuto per troppo poco tempo. Ripetere l'operazione.

- Aprire sul proprio terminale (ad es. TV/HiFi o Smartphone) le impostazioni Bluetooth per la ricerca dei dispositivi e aspettare fino a che nella lista appare „WHP6309BT“.
- Selezionare „WHP6309BT“ e attendere finché le cuffie vengono visualizzate come „Verbunden“ (collegato) nelle impostazioni Bluetooth del proprio terminale. Il LED sulle cuffie inizia lentamente a lampeggiare di luce verde nelle pause audio oppure si illumina con luce fissa blu durante la riproduzione.
- Le cuffie si possono ora utilizzare.

- Fare attenzione di regolare il volume dei dispositivi accoppiati via Bluetooth sui dispositivi stessi! Diminuire dapprima il volume del dispositivo (ad es. TV/Smartphone) ad 1/3 del volume massimo (per evitare danni all'udito) e quindi aumentare al massimo il volume sulle cuffie ad archetto.

Nota – Password Bluetooth

Per stabilire la connessione con un altro apparecchio Bluetooth alcuni terminali richiedono una password.

- Per la connessione con le cuffie immettere la password 0000 nel caso venga richiesta dal proprio terminale.

8.2.1.2 Connessione automatica Bluetooth (dopo aver effettuato il pairing)

Le cuffie ad archetto si connettono automaticamente quando vengono accese (fig. 1 interruttore n. 1 su "ON") con i dispositivi accoppiati.

8.3 Multipoint Pairing (connessione via cavo abbinata alla connessione wireless (Bluetooth))

Oltre alla connessione wireless (ad es. a TV/HiFi) è possibile una connessione wireless con le cuffie ad archetto. In questo caso si ha ad es. la possibilità di registrare contemporaneamente durante la visione TV telefonate effettuate con lo Smartphone (chiamate).

Avvertenza

Inoltre è necessario che il sistema wireless delle cuffie WHP6309BT permetta già una connessione wireless attiva (Bluetooth) come indicato al Capitolo 8.2 (ad es. Smartphone).

- Spegnerne la connessione wireless sul dispositivo (ad es. Bluetooth e Smartphone su "OFF")
- Staccare l'alimentatore dalla presa della stazione di carica (Fig. 4 prese n.3 / giallo)
- Accertarsi che le cuffie ad archetto siano spente (Fig. 1 interruttore n. 1 su "OFF").
- Accendere quindi l'archetto (Fig. 1 interruttore n. 1 su "ON").
- Premere il pulsante del microfono/tasto sulle cuffie ad archetto (Fig. 2 tasto n.6) per ca. 7 secondi. Il LED inizia a lampeggiare velocemente con luce BLU.

Avvertenza

Nel caso che il LED si illuminasse di luce VERDE, significa che il tasto è stato premuto per troppo poco tempo. Ripetere l'operazione.

- Inserire ora il cavo di alimentazione della stazione trasmittente nella presa della stazione di carica (Fig. 4 presa n. 3 / giallo) e premere 1 volta il tasto „PAIR“ (Fig. 4 tasto n. 4). Il LED della stazione di carica inizia a lampeggiare velocemente con luce BLU.
- Attendere alcuni secondi (fino a 15 secondi) fino a che il trasmettitore e il ricevitore si siano sincronizzati/acoppiati. Quando l'accoppiamento è riuscito, il LED si illumina di luce fissa BLU.
- Facciamo notare che il sistema si spegne automaticamente quando il trasmettitore e le cuffie ad archetto non sono accoppiate nel giro di 2 minuti! Per controllare che la connessione sia attiva, effettuare una riproduzione della fonte audio (TV / HiFi).

- Accendere quindi la funzione Bluetooth sul dispositivo (ad es. Smartphone Bluetooth su "On") e selezionare connessione "WHP6309BT" **già accoppiata/pairing**.
- Ora sono connesse anche le variati di connessione via cavo come anche quelle wireless via Bluetooth (simile alla funzione Multipairing).
- Quindi è anche possibile rispondere a chiamate quando si guarda la TV.

8.4 Processo di carica Fig. 7

Prima di iniziare il processo di carica, assicurarsi che le cuffie ad archetto siano spente (Fig. 1 interruttore n. 1 su "OFF"). Riporre le cuffie sulla stazione trasmittente e accertarsi che i contatti di carica tocchino i pin sul trasmettitore. Il processo di carica si avvia automaticamente. L'indicatore LED lampeggia lentamente con luce VERDE (Fig. 1 LED n. 2) durante il processo di carica. Quando la batteria è completamente carica, il LED si illumina di luce fissa VERDE. La durata per una carica completa è di ca. 2 ore.

Avvertenza

Per evitare di danneggiare la batteria, spegnere sempre le cuffie quando non vengono utilizzate. La batteria deve essere completamente carica prima del primo utilizzo. Una carica iniziale di tre ore è necessaria per garantire una durata accettabile della batteria. Assicurarsi che le cuffie ad archetto siano spente durante il processo di carica.

8.5 Ulteriori funzioni

8.5.1.1 Indicazioni generali sull'uso del microfono e sulla pausa audio (Fig. 2 tasto n.6) + LED (Fig. 1 LED n.2)

Vi è la possibilità, grazie ad un microfono integrato, di effettuare una registrazione ambientale (ad es. campanello della porta o conversazione) durante l'emissione suono (TV/HiFi) (con questa funzione attiva il LED si accende di luce VERDE).

Avvertenza

Facciamo notare che il microfono è altamente sensibile e quindi è necessario evitare danni all'udito!



Con il pulsante Play/Pause è possibile mettere in qualunque momento l'audio in modalità di pausa (Fig. 2 tasto n. 5). Assicurarsi che il LED sulle cuffie lampeggia lentamente di luce VERDE (durante la riproduzione con luce fissa BLU).

8.5.1.2 Uso del microfono per telefonate (Bluetooth con Smartphone/Tablet) (Fig. 2 tasto n.5) + LED (Fig. 1 LED n.2)

Per una connessione wireless Bluetooth con uno smartphone/tablet è possibile accettare le chiamate utilizzando il pulsante Play/Pause (Fig. 2 tasto n.5) e rispondere con il microfono (sempre che il dispositivo supporti questa funzione). In questo caso il LED lampeggia durante lo squillo con luce verde/blu e si illumina di luce fissa blu durante la conversazione. La riproduzione audio corrente va in funzione di pausa fino a che la conversazione non sia terminata.

8.5.1.3 Regolazione bilanciamento (Fig. 1 Regolatore n.4)

Con il regolatore si ha la possibilità di un audio differenziato a destra e a sinistra.

8.5.1.4 Informazioni livello della batteria (cuffie ad archetto)

Se il livello della batteria delle cuffie ad archetto è basso, il LED (Fig. 1 LED n.2) inizia lentamente a lampeggiare di luce BLU.

8.6 Ricerca guasti

8.6.1 Nessun audio

- Verificare che l'alimentatore sia inserito completamente nella presa e sia collegato correttamente all'altra estremità nella presa di ingresso alimentatore del trasmettitore.
- Accertarsi che il tasto di alimentazione ON/OFF sia in posizione ON sia sul trasmettitore che sul ricevitore.
- Lo stato di carica della batteria per le cuffie potrebbe avere una carica residua ridotta. Caricare la batteria.
- Verificare se la TV, l'impianto Hi-Fi o i componenti audio sono accesi e se sia stato impostato un canale per la trasmissione del segnale audio.
- Il livello di uscita (volume) sulla sorgente audio potrebbe essere stato impostato troppo basso. Regolare il volume di conseguenza.
- Alzare il volume mediante il regolatore sulla cuffia.
- Il tasto audio/pausa sulle cuffie è attivato (il LED sulle cuffie lampeggia lentamente di luce VERDE)?
- È possibile che l'apparecchio audio/video collegato non si trovi in modalità di riproduzione? Attivare la modalità di riproduzione.

9. Cura e manutenzione

Avvertenza



Prima della pulizia e in un caso di lungo inutilizzo, scollegare il dispositivo dalla rete elettrica.

- Pulire questo prodotto solo con un panno umido e che non lascia pelucchi e non utilizzare mai detergenti aggressivi
- Per ragioni igieniche, pulire i cuscinetti auricolari regolarmente con un detergente privo di alcol.

7. Esclusione di garanzia

Hama GmbH & Co KG non si assume alcuna responsabilità per i danni derivati dal montaggio o l'utilizzo scorretto del prodotto, nonché dalla mancata osservanza delle istruzioni per l'uso e/o delle indicazioni di sicurezza.

8. Assistenza e supporto

In caso di domande sul prodotto, rivolgersi alla Consulenza prodotto Hama.

Hotline: +49 9091 502-115 (ted./ing.)

Ulteriori informazioni sul supporto sono disponibili qui:
www.hama.com

9. Indicazioni di smaltimento

Informazioni per protezione ambientale:



Dopo l'implementazione della Direttiva Europea 2012/19/EU e 2006/66/EU nel sistema legale nazionale, ci sono le seguenti applicazioni: Le apparecchiature elettriche ed elettroniche e le

batterie non devono essere smaltite con i rifiuti domestici. I consumatori sono obbligati dalla legge a restituire i dispositivi elettrici ed elettronici e le batterie alla fine della loro vita utile ai punti di raccolta pubblici preposti per questo scopo o nei punti vendita. Dettagli di quanto riportato sono definiti dalle leggi nazionali di ogni stato. Questo simbolo sul prodotto, sul manuale d'istruzioni o sull'imballo indicano che questo prodotto è soggetto a queste regole. Riciclando, ri-utilizzando i materiali o utilizzando sotto altra forma i vecchi prodotti/le batterie, darete un importante contributo alla protezione dell'ambiente.

10. Dichiarazione di conformità



Il fabbricante, Hama GmbH & Co KG, dichiara che il tipo di apparecchiatura radio [00131991] è conforme alla direttiva 2014/53/UE. Il testo completo della dichiarazione di conformità UE è disponibile al seguente indirizzo Internet:

www.hama.com -> 00131991 -> Downloads.

Hartelijk dank dat u voor een product van Thomson heeft gekozen.

Neem de tijd om de volgende aanwijzingen en instructies volledig door te lezen. Berg deze gebruiksaanwijzing vervolgens op een goede plek op zodat u hem als naslagwerk kunt gebruiken. Op zodat u hem als naslagwerk kunt gebruiken. Mocht u het toestel verkopen, geeft u dan ook deze gebruiksaanwijzing aan de nieuwe eigenaar.

1. Verklaring van waarschuwingssymbolen en instructies

Gevaar voor een elektrische schok



Dit symbool duidt op gevaar bij aanraking van niet-geïsoleerde onderdelen van het product, welke mogelijk onder een zodanig gevaarlijke spanning staan, dat het gevaar voor een elektrische schok aanwezig is.

Waarschuwing



Wordt gebruikt voor veiligheidsinstructies of om de aandacht te trekken op bijzondere gevaren en risico's.

Aanwijzing



Wordt gebruikt voor extra informatie of belangrijke informatie.

2. Overzicht

Ontvanger / koptelefoon - afb. 1

1. Aan/uit-schakelaar
2. Led-signaalindicator (werking, Bluetooth-status of batterij-indicatie)
3. Geluidsvolumeregeling (0= laagste volume, 10= maximale volume)
4. Balansregelaar (R = rechts/ L= links)

Ontvanger / koptelefoon - afb. 2

5. Knop voor afspelen (Play) / pauze / gesprek aannemen / ophangen
6. Knop voor microfoon / Bluetooth pairing (koppeling)
7. Geïntegreerde microfoon
8. Laadcontacten koptelefoon
9. Linker koptelefoonzijde (grijs) met kogelgewricht
10. Rechter koptelefoonzijde (rood) met kogelgewricht

Laadstation/zender - afb. 3

11. Laadcontacten zender
12. Led-signaalweergave (werking of Bluetooth-status)

Laadstation/achterzijde zender - afb. 4

13. Stroom/voeding - aansluiting (voeding met 5,5V - 550mA)
14. "Pair"-knop voor pairing/koppelen (voor koptelefoon)
15. "Audio-In"-aansluiting voor analoge audioverbinding (3,5mm-aansluiting of via cinch-adapter)
16. Ingangskoeschakelaar voor audioverbinding

3. Inhoud verpakking

- Koptelefoon/ontvanger met geïntegreerde lithium-poly-meer-batterij
- Zender/laadstation
- Insteekbare voeding
- Analoge audio-adapterkabel (rood/wit) -
- 2x cinch op 3,5 mm stereo-jackaansluiting
- Analoge audiokabel (3,5 mm stereo-jackstekker aan beide uiteinden in blauw)
- Optische audio-glasvezelkabel (Toslink/ODT) in zwart
- 2 paar oorkussens

4. Veiligheidsinstructies

Waarschuwing



- Dit product is speciaal voor personen met o.a. een beperkt gehoorvermogen ontwikkeld. Het is om die reden in staat ongevoelbaar grote geluidsvolumen te produceren.
- Personen met een normaal gehoorvermogen moeten het geluidsvolume van het aangesloten weergavetoestel vóór het gebruik op het laagste niveau instellen!
- Dit apparaat zendt signalen uit met een frequentie van 2400 MHz. Personen met een pacemaker dienen vóór de aanschaf van dit product een arts om advies te vragen, omdat door de werking van dit product het functioneren van pacemakers negatief kan worden beïnvloed.
- Hoog geluidsdrukniveau!
- Gevaar voor gehoorschade.
- Om gehoorverlies te voorkomen, dient u het horen bij een hoog geluidsdrukniveau gedurende lange periodes te vermijden.
- De gebruikmaking van het product beperkt u in de waarneming van omgevingsgeluiden. Bedient u om deze reden tijdens het gebruik ervan geen voertuigen of machines.
- Houd het geluidsvolume te allen tijde op een verstandig niveau. Grote geluidsvolumen kunnen – zelfs kortstondig – tot hoorbeschadiging leiden.



- Bescherm het product tegen vuil, vocht en oververhitting en gebruik het alleen in droge omgevingen.
- Gebruik het product niet in de onmiddellijke nabijheid van een verwarming of andere warmtebronnen en stel het niet bloot aan directe zonnestralen.
- Gebruik het artikel alleen onder gematigde klimatologische omstandigheden.
- Elektrische apparaten dienen buiten het bereik van kinderen gehouden te worden!
- Gebruik het product niet buiten de in de technische gegevens vermelde vermogensgrenzen.
- Gebruik het product niet in een vochtige omgeving en voorkom spat- en spuitwater.
- Plaats geen met vloeistof gevulde voorwerpen bijv. bloemvazen op of in de buurt van het product. Het voorwerp met vloeistof kan omvallen en de vloeistof kan de elektrische veiligheid in gevaar brengen.

- Het verpakkingsmateriaal mag absoluut niet in handen van kinderen komen; verstikkingsgevaar.
- De accu is vast ingebouwd en kan niet worden verwijderd.
- Accu's en batterijen nimmer openen, beschadigen, inslikken of in het milieu terecht laten komen. Zij kunnen giftige en zware metalen bevatten welke schadelijk zijn voor het milieu.
- De accu's/batterijen niet wijzigen en/of vervormen/verhitten/demonteren.
- Het product is bedoeld voor niet-commercieel privegebruik in huiselijke kring.
- Gebruik het product uitsluitend voor het doel waarvoor het gemaakt is.
- Kinderen dienen onder toezicht te staan, teneinde te waarborgen dat zij niet met het product spelen.
- Gebruik het product niet binnen omgevingen, waarin elektronische apparatuur niet is toegestaan.
- Leg alle kabels zodanig dat zij geen struikelgevaar vormen.
- De kabel niet knikken of inklemmen.
- Laat het product niet vallen en stel het niet bloot aan zware schokken of stoten.
- Het verpakkingsmateriaal direct en overeenkomstig de lokaal geldende afvoerschriften afvoeren.
- Verander niets aan het toestel. Daardoor vervalt elke aanspraak op garantie.

Gevaar voor een elektrische schok



- Open het product niet en gebruik het niet meer als het beschadigd is.
- Gebruik het product niet indien de AC-adapter, de adapterkabel of de voedingskabel is beschadigd.
- Probeer niet het product zelf te onderhouden of te repareren. Laat onderhouds- en reparatiewerkzaamheden door vakpersoneel uitvoeren.

5. Introductie

Deze DIGITALE DRAADLOZE KINBEUGEL-KOPELEFOON maakt gebruik van de nieuwste draadloze Bluetooth-technologie om ook ouderen te laten genieten van een zuiver, kristalhelder geluid terwijl ze thuis tv kijken en naar muziek luisteren. Tegelijkertijd biedt dit toestel de mogelijkheid om gelijktijdig een smartphone of tablet aan te sluiten (multipoint = twee apparaten kunnen tegelijkertijd met deze koptelefoon worden verbonden). Sluit de zender gewoon aan op de gewenste audiobron: dvd-speler, cd-speler, tv-toestel, hifi-systeem, smartphone of tablet. Zonder ingewikkelde bedrading en met de eenvoudigste plug-and-play installatie kunt u binnen enkele minuten genieten van een meeslepende en levendige klank. Het maakt niet uit of u gebruik maakt van connectiviteit via analoge verbindingen (cinch of jack), digitale verbindingen (optisch) of directe draadloze verbindingen (via Bluetooth).

6. Algemene functie

- 2.4GHz draadloze Bluetooth-technologie
- Oplaadstation met led-display
- Automatische uitschakeling van het product bij directe Bluetooth-verbinding (als de koptelefoon in het laadstation is gestoken).

- Geluidsonderdrukking voor gespreksopname via interne microfoon of automatische overschakeling naar smartphone/tablet bij multipairing/aannemen van gesprekken.
- Snellaadsysteem (ongeveer 2-3 uur totdat de koptelefoon volledig is opgeladen).
- Geluidsvolumeregeling voor individuele aanpassing
- Balansregeling links/rechts
- Play/Pause of gespreksaanneemknop op de kinband voor geluid, pauze of smartphone/tablet-functie
- Led-statusweergave voor de bedrijfs-/batterij-indicatie of voor de statusweergave Bluetooth-verbinding/koppeling
- Keuzeschakelaar voor de analoge of digitale verbinding van de audiobron met het zend-/laadstation
- 2 maten oorkussens voor individuele aanpassing
- In aangesloten smartphone/tablet-toestand: Batterij-indicatie van de koptelefoon (afhankelijk van de smartphone/tablet-functie)

7. Technische gegevens

Zendmodus	draadloze Bluetooth-technologie
Dragerfrequentie	2,4 GHz
Bedrijfsspanning zender	5 V, 550 mA
Bedrijfsspanning ontvanger	3,7 V, 380 mAh via lithium-polymeer-batterij.
Frequentiebereik	20 Hz – 20 kHz
Vervorming	< 1 %
Signaal-ruisverhouding	> 70 dB
Reikwijdte	10 m
Spreektijd/muziek	Max. volume: 5h Mid. volume: 6h Min. volume: 8h met volledig opgeladen batterij
Stand-by	250 h
Bluetooth-technologie	Bluetooth V4.1
Bluetooth-profiel	HSP, HFP, A2DP, AVRCP, SPP
Batterij	Geïntegreerde lithium-polymeerbatterij 3,7V
Batterijcapaciteit	380 mA
Frequentieband/frequentiebanden	2402 – 2480 MHz
Uitgestraald maximaal zendvermogen	4 dBm

8. Installatie zender afb. 4 + 5 + 6

Waarschuwing



- Sluit het product alleen aan op een daarvoor geschikt en intact stopcontact. Het stopcontact moet in de buurt van het product zijn aangebracht en goed bereikbaar zijn.
- Het product met behulp van de aan/uit schakelaar van het net scheiden – indien deze niet ter beschikking is, trek dan de netstekker uit het stopcontact.
- Let er bij meervoudige stopcontacten resp. tafelcontactdozen op dat de aangesloten verbruikers niet het toegestane totale opgenomen vermogen overschrijden.
- Indien het product gedurende langere tijd niet wordt gebruikt, trek dan de stekker uit het stopcontact.
- Sluit de voedingseenheid aan op de aansluiting aan de achterzijde van de zender (afb. 5). De kleurcombinatie (geel) op het laadstation dient als hulpmiddel. De aansluiting op de stroomvoorziening vindt in een latere stap plaats.

Er zijn maar 3 aansluitmogelijkheden:

- A) Analoge audio-aansluiting van bijv. tv/hifi via 3,5mm jack- of cinch-adapterkabel
- B) Optische digitale aansluiting van bijv. tv/hifi/soundbar via Toslink-kabel
- C) Directe Bluetooth-aansluiting van tv/hifi/soundbar op kinband-koptelefoons

Afhankelijk van het type aansluiting moeten de verbindingen dienovereenkomstig worden uitgevoerd.

8.1 Bedrade aansluitmogelijkheden

8.1.1 Analoge audioverbinding via jack- of cinch-aansluiting (afb. 4 + 6)

- De jackkabel wordt vaak gebruikt voor de koptelefoonaansluiting van tv/hifi, waarbij u het ene uiteinde van de jackkabel verbindt met de koptelefoonaansluiting van het tv-toestel en het andere uiteinde met de aansluiting van de zender/het laadstation. Als hulpmiddel dient de kleurovereenstemming (blauw) op het laadstation (stekker nr. 5 van afb. 4).
- De cinch-kabel wordt vaak gebruikt voor externe audio-uitgangen van bijv. SET-TOP-BOX / hifi of tv om een direct audiosignaal te bieden (vaak aangegeven met witte en rode aansluitingen). Hierbij sluit u de jackkabel (blauwe stekkers) en de cinch-adapterkabel (rood/witte stekkers) aan: Steek de cinch-stekkers in overeenstemming met de audio-uitgangsborden (bijv. hifi/STB of tv). De kleuren dienen als rechts/links-markeringen. Daarbij staat rood altijd voor rechts. Sluit het andere uiteinde (jackstekker blauw) aan op de aansluiting van de zender/het laadstation. De kleurovereenstemming (blauw) op het laadstation dient als hulpmiddel. (Bus nr. 5 van afb. 4).

8.1.2 Digitale audioverbinding via Toslink/ODT-kabel:

De digitale optische audioverbinding is kwalitatief de beste kabelverbinding (geen tijlvertragingen tussen beeld en geluid) die kan worden gemaakt. Maak de stofkappen van de kabel

aan beide zijden los en sluit ze met de ene zijde aan op de tv/hifi/soundbar en met de andere zijde op de zender/het laadstation aan. Houd er rekening mee dat de stekkers geleidingen hebben! Als hulpmiddel dient de kleurovereenstemming (zwart) van het laadstation (aansluitbus nr. 7 uit afb. 4). Selecteer voor een bedrade aansluiting (subparagraaf 8.1.1 of 8.1.2) op de zender/het laadstation de desbetreffende ingangsbron (schakelaar nr. 6 van afb. 4).

8.1.3 Inbedrijfstelling van de koptelefoon met zender/laadstation

Waarschuwing



- Gebruik alleen geschikte laders voor het opladen.
- Gebruik als regel defecte laders niet meer en probeer ze ook niet meer te repareren.
- Het op te laden product niet overladen of diep ontladen.
- Opbergen, opladen en gebruik bij extreme temperaturen voorkomen.
- Indien de accu's gedurende langere tijd worden opgeborgen, dan dienen ze ten minste regelmatig (min. om die 3 maanden) te worden opgeladen.

Aanwijzing



Afhankelijk van het televisietoestel wordt het geluid van het televisietoestel gedempt wanneer de 3,5 mm audio-koptelefoonaansluiting wordt gebruikt - het is mogelijk dat u het geluidsvolume van de koptelefoon in het menu van het televisietoestel moet aanpassen (aanbeveling voor het gebruik van het draadloze koptelefoonstelsysteem is hierbij ongeveer 80%-90% van het geluidsvolume van de koptelefoon). De luidsprekerinstelling van de tv blijft vaak onaangestast of moet dienovereenkomstig worden aangepast.



Aanwijzing



Zorg ervoor dat de batterij volledig is opgeladen voordat u deze voor het eerst gebruikt. Laad de batterij minstens 3 uur op voor het eerste gebruik. Zorg ervoor dat de koptelefoon tijdens het opladen is uitgeschakeld en niet wordt gebruikt.

8.1.3.1 Gekoppelde apparaten activeren en aansluiten (zender/laadstation voor de kinband-koptelefoon)

Zorg ervoor dat de koptelefoon bij de eerste inbedrijfstelling niet op het laadstation is aangesloten!

In de uitleveringstoestand zijn zowel zender/laadstation als kinband-koptelefoon al gekoppeld/gesynchroniseerd. Zet nu de kinband-koptelefoon op "ON" (afb. 1 met schakelaar nr. 1). De led op de kinband-koptelefoon (afb. 1 nr. 2) knippert langzaam BLAUW. Steek nu de stekker van de voedingseenheid in het daarvoor bestemde stopcontact (afb. 5). Zender/laadstation knippert aanvankelijk snel (afb. 3 led nr. 2), dan langzamer en blijft constant BLAUW branden als de verbinding succesvol is. Zet eerst het geluidsvolume van de koptelefoon laag alvorens hem voor het eerst op te zetten. Nu kunt u genieten van uw analoge audiobron (tv/hifi of iets dergelijks).

8.1.3.2 Koppelen/pairing tussen zender en ontvanger (laadstation voor kinband-koptelefoon).

Mocht de koppeling tussen zender en ontvanger bij levering niet mogelijk zijn (beide leds op het laadstation en de kinband knipperen continu), dan is handmatige koppeling/pairing noodzakelijk.

- Om dit te doen, steekt u eerst het netsnoer in de aansluiting van het laadstation (afb. 4 bus nr. 3 / geel).
- Zorg ervoor dat de kinband is uitgeschakeld (afb. 1 schakelaar nr. 1 op "OFF").
- Schakel nu de kinband in (afb. 1 schakelaar nr. 1 op "ON").
- Druk op de knop Microfoon/koppeling (afb. 2 knop nr. 6) gedurende ongeveer 7 seconden. De led begint snel BLAUW te knipperen.

Aanwijzing

Mocht de led GROEN branden, dan hebt u de knop niet lang genoeg ingedrukt. Herhaal de procedure.

- Steek nu de netkabel van het zendstation in de aansluiting van het laadstation (afb. 4 bus nr. 3 / geel) en druk op de "PAIR"-knop (afb. 4 knop nr. 4) gedurende ongeveer 1 seconde.
- Wacht enkele seconden (tot 15 seconden) tot de zender en ontvanger gesynchroniseerd/gekoppeld zijn. Als de koppeling succesvol is, gaan beide leds nu continu BLAUW branden.
- U kunt nu genieten van uw analoge audiobron zoals beschreven in subparagraaf 8.1.3.1.

Aanwijzing

- Houd er rekening mee dat het systeem zichzelf automatisch uitschakelt als de zender en de kinband niet binnen 2 minuten gekoppeld zijn/worden!
- De transmissie van de zender wordt automatisch uitgeschakeld wanneer de kinband-koptelefoon op het zend-/laadstation wordt aangesloten (laadproces). Om de kinband-koptelefoon weer aan te sluiten, moet hij van het station worden losgekoppeld en moet de aan/uitschakelaar zijn uitgeschakeld of opnieuw worden ingeschakeld (de koppeling vindt nu automatisch plaats).

8.2 Draadloze aansluitmogelijkheden (via Bluetooth)

U hebt de mogelijkheid om een directe Bluetooth-verbinding tot stand te brengen tussen de tv/hifi/soundbar of smartphone/tablet (op voorwaarde van Bluetooth-technologie) en de kinband-koptelefoon.

Hierbij is alleen de extra functie van telefoneren met gespreksaanname of gespreksbeëindiging mogelijk.

8.2.1.1 Eerste Bluetooth-verbinding (pairing)

Opmerking: Pairing

- Zorg ervoor dat uw Bluetooth-apparaat is ingeschakeld en dat Bluetooth is geactiveerd.
- Zorg ervoor dat uw Bluetooth-apparaat zichtbaar is voor andere Bluetooth-apparaten.
- Zie de gebruikershandleiding van uw eindapparaat.

Opmerking: Bluetooth-aansluiting met tv/hifi/soundbar of smartphone/tablet

- Controleer of uw apparaat (tv/hifi/soundbar/smartphone enz.) compatibel is met de Bluetooth-kinband-koptelefoon.
- Controleer of u de pairing via het audio-/geluidsmenu of het verbindingsmenu uit moet voeren. Zo is een verbinding met ander toebehoren zoals toetsenborden uitgesloten.
- Zie de gebruikershandleiding van uw televisie. Bovendien moeten de afzonderlijke functies door uw eindapparaat worden ondersteund (Bluetooth-profielen moeten worden ondersteund).
- De afstand tussen de koptelefoon en het eindapparaat mag niet meer dan 1 meter bedragen. Hoe kleiner de afstand, des te beter. Bovendien moeten de afzonderlijke functies door uw eindapparaat worden ondersteund (Bluetooth-profielen moeten worden ondersteund).

- Zorg ervoor dat de koptelefoon is opgeladen.
- Zorg ervoor dat het zend-/oplaadstation eerst van het elektriciteitsnet is losgekoppeld (afb. 4 bus nr. 3 / geel).
- Zorg ervoor dat de kinband is uitgeschakeld (afb. 1 schakelaar nr. 1 op "OFF").
- Schakel nu de kinband weer in (afb. 1 schakelaar nr. 1 op "ON").
- Druk op de knop Microfoon/koppeling (afb. 2 knop nr. 6) gedurende ongeveer 7 seconden. De led begint snel BLAUW te knipperen. De koptelefoon zoekt nu naar een Bluetooth-verbinding.

Aanwijzing

Mocht de led GROEN branden, dan hebt u de knop niet lang genoeg ingedrukt. Herhaal de procedure.

- Open nu de Bluetooth-instellingen op uw eindapparaat (bijv. tv/hifi of smartphone) om naar apparaten te zoeken en wacht tot "WHP6309BT" in de lijst wordt weergegeven.
- Selecteer "WHP6309BT" en wacht tot de kinband-koptelefoon wordt weergegeven als "Verbonden" (connected in de Bluetooth-instellingen van uw eindapparaat. De led op de koptelefoon knippert langzaam groen tijdens de pauze of constant blauw tijdens het afspele).
- U kunt de koptelefoon nu gebruiken.
- Zorg ervoor dat u het volume van de gekoppelde Bluetooth-apparaten via deze apparaten regelt! Verlaag eerst het geluidsvolume van het apparaat (bijv. tv/smartphone) tot 1/3 van het maximale volume (om schade aan het gehoor te voorkomen) en stel vervolgens het maximale volume van de kinband-koptelefoon in.

Opmerking - Bluetooth-wachtwoord

Sommige apparaten hebben een wachtwoord nodig om een verbinding met een ander Bluetooth-apparaat tot stand te brengen.

- Voer om verbinding te maken met de koptelefoon, het wachtwoord 0000 in wanneer uw eindapparaat hierom vraagt.

8.2.1.2 Automatische Bluetooth-verbinding (na reeds plaatsgevonden pairing)

De kinband-koptelefoon wordt automatisch aangesloten wanneer deze wordt ingeschakeld (afb. 1 schakelaar nr. 1 op "ON") met reeds gekoppelde/gepaarde apparaten.

8.3 Multipoint pairing (bedrade verbinding in combinatie met draadloze verbinding (Bluetooth))

Naast de bekabelde aansluiting (bijv. van tv/hifi) kunt u ook een draadloze verbinding met de kinband-koptelefoon tot stand brengen. Zo kunt u bijvoorbeeld gesprekken op uw smartphone aannemen en tegelijkertijd tv-kijken.

Aanwijzing

Het draadloze koptelefoonsysteem WHP6309BT moet al over een actieve draadloze verbinding (Bluetooth) beschikken zoals beschreven in paragraaf 8.2 (bijv. smartphone).

- Schakel nu de draadloze verbinding op het apparaat uit (bijv. Bluetooth op de smartphone op "UIT").
- Koppel het netsnoer los van de aansluiting op het laadstation (afb. 4 bus nr. 3 / geel).
- Zorg ervoor dat de kinband is uitgeschakeld (afb. 1 schakelaar nr. 1 op "OFF").
- Schakel nu de kinband in (afb. 1 schakelaar nr. 1 op "ON").
- Druk op de microfoon-/pairingknop op de kinband (afb. 2 knop nr. 6) gedurende ongeveer 7 seconden. De led begint snel BLAUW te knipperen.

Aanwijzing

Mocht de led GROEN branden, dan hebt u de knop niet lang genoeg ingedrukt. Herhaal de procedure.

- Steek nu de netkabel van het zendstation weer in de aansluiting van het laadstation (afb. 4 bus nr. 3 / geel) en druk op de knop "PAIR" (afb. 4 knop nr. 4). De led op het laadstation knippert snel BLAUW.
- Wacht enkele seconden (tot 15 seconden) tot de zender en ontvanger gesynchroniseerd/gekoppeld zijn. Als de koppeling succesvol is, gaan beide leds nu continu BLAUW branden.
- Houd er rekening mee dat het systeem zichzelf automatisch uitschakelt als de zender en de kinband niet binnen 2 minuten gekoppeld zijn/worden! Het is het beste om de audiobron (tv/hifi) aan te zetten om er zeker van te zijn dat de verbinding actief is.
- Activeer nu Bluetooth op het apparaat (bijv. smartphone Bluetooth op "Aan") en selecteer de **reeds gekoppelde/gepaarde** Bluetooth-verbinding "WHP6309BT".
- Nu zijn zowel bedrade aansluitingsvariant als draadloze Bluetooth-verbindingsvariant aan elkaar gekoppeld (zoals bij multipairing).
- Tijdens het televisiekijken kunnen nu bijvoorbeeld ook telefoongesprekken worden aangenomen.

8.4 Laadproces afb. 7

Zorg ervoor dat voorafgaande aan het laadproces de kinband is uitgeschakeld (afb. 1 schakelaar nr. 1 op "OFF").

Plaats de koptelefoon op het zenderstation en zorg ervoor dat de laadcontacten de laadpinnen van de zender raken. Het laden begint automatisch. De led knippert langzaam GROEN (afb. 1 led nr. 2) tijdens het laden. Is de batterij volledig opgeladen, dan brandt de led permanent GROEN. De oplaadtijd voor het volledig opladen bedraagt ca. 2 uur.

Aanwijzing

Om schade aan de batterijen te voorkomen, moet u de koptelefoon altijd uitschakelen wanneer deze niet in gebruik is. De batterijen moeten vóór het eerste gebruik volledig zijn opgeladen. Om een aanvaardbare levensduur van de batterij te garanderen, is een eerste oplading van drie uur nodig. Zorg ervoor dat de kinband-koptelefoon tijdens het opladen is uitgeschakeld.

8.5 Overige functies

8.5.1.1 Microfoongebruik en geluidspauzes in het algemeen (afb. 2 knop 6) + led (afb. 1 led nr. 2)

U hebt de mogelijkheid om tijdens het luisteren een geïntegreerde microfoon te gebruiken (tv/hifi) om de microfoon in te schakelen voor het opnemen van geluid uit de omgeving (bijv. deurbel of gesprekken) (led brandt GROEN bij het inschakelen).

Aanwijzing

Denk aan de hoge gevoeligheid van de microfoon om gehoorschade te voorkomen!



Met de knop Play/Pause hebt u de mogelijkheid om het geluid op elk moment te pauzeren (afb. 2 knop nr. 5). Houd er rekening mee dat de led op de koptelefoon langzaam GROEN knippert (tijdens de weergave continu BLAUW).

8.5.1.2 Microfoongebruik voor telefoongesprekken (Bluetooth met smartphone/tablet) (afb. 2 knop 5) + led (afb. 1 led nr. 2)

Bij een actieve draadloze Bluetooth-verbinding met een smartphone/tablet kunt u via de knop Play/Pause (afb. 2 knop 5) gesprekken aannemen en deze via de microfoon voeren (indien ondersteund door het eindapparaat). Hierbij knippert de led tijdens het bellen groen/blauw en brandt tijdens het gesprek blauw. Een bestaande audioweergave wordt hierbij gepauzeerd totdat het gesprek is beëindigd.

8.5.1.3 Balansregeling (afb. 1 regelaar nr. 4)

Door middel van de regelaar hebt u de mogelijkheid om voor gedifferentieerd horen rechts en links in balans te brengen.

8.5.1.4 Informatie over de batterijstatus (kinband-koptelefoon)

Als de batterij van de kinband bijna leeg is, begint de led (afb. 1 led nr. 2) langzaam BLAUW te knipperen.

8.6 Problemen oplossen

8.6.1 Geen geluid

- Controleer of de voeding goed is aangesloten op het stopcontact en aan het andere uiteinde correct is aangesloten op de voedingsingang van de zender.
- Zorg ervoor dat de knop Aan/Uit op zowel de zender als de koptelefoon in de stand "ON" staat.
- Het laadniveau van de batterij in de koptelefoon kan te weinig restlading hebben. Laad de batterij op.
- Controleer of uw tv-toestel, hifi-installatie of audiocomponent is ingeschakeld en of er een kanaal voor de overdracht van audiosignalen is ingesteld.
- Het uitgangsniveau (geluidsvolume) van de audiobron kan te laag zijn ingesteld. Stel het geluidsvolume op het gewenste niveau in.
- Verhoog het geluidsvolume met behulp van de regelaar op de koptelefoon.
- Is de geluidspauzeknop op de koptelefoon geactiveerd (led op de koptelefoon knippert langzaam GROEN)?
- Misschien staat het aangesloten audio-/videoapparaat niet in de afspeelmodus? Schakel het apparaat dienovereenkomstig in.

9. Onderhoud en verzorging

Aanwijzing



Trek de stekker van het apparaat uit het stopcontact voordat u het reinigt en wanneer het apparaat voor langere tijd niet wordt gebruikt.

- Reinig dit product uitsluitend met een pluisvrije, licht vochtige doek en maak geen gebruik van agressieve reinigingsmiddelen.
- Reinig de oorkussens om hygiënische redenen regelmatig met alcoholvrije middelen.

7. Uitsluiting van garantie en aansprakelijkheid

Hama GmbH & Co KG aanvaardt geen enkele aansprakelijkheid of garantieclaims voor schade of gevolgschade, welke door ondeskundige installatie, montage en ondeskundig gebruik van het product ontstaan of het resultaat zijn van het niet in acht nemen van de bedieningsinstructies en/of veiligheidsinstructies.

8. Service en support

Neem bij vragen over het product contact op met de afdeling Productadvies van HAMA.
Hotline: +49 9091 502-115 (Duits/Engels)
Meer support-informatie vindt u hier: www.hama.com

9. Aanwijzingen over de afvalverwerking

Notitie aangaande de bescherming van het milieu:



Ten gevolge van de invoering van de Europese Richtlijn 2012/19/EU en 2006/66/EU in het nationaal juridisch systeem, is het volgende van toepassing:

Elektrische en elektronische apparatuur, zoals batterijen mag niet met het huisvuil weggegooid worden. Consumenten zijn wettelijk verplicht om elektrische en elektronische apparaten zoals batterijen op het einde van gebruik in te dienen bij openbare verzamelplaatsen speciaal opgezet voor dit doeleinde of bij een verkooppunt. Verdere specificaties aangaande dit onderwerp zijn omschreven door de nationale wet van het betreffende land. Dit symbool op het product, de gebruiksaanwijzing of de verpakking duidt erop dat het product onderworpen is aan deze richtlijnen. Door te recycleren, hergebruiken van materialen of andere vormen van hergebruiken van oude toestellen/batterijen, levert u een grote bijdrage aan de bescherming van het milieu.

10. Conformiteitsverklaring



Hierbij verklaar ik, Hama GmbH & Co KG, dat het type radioapparatuur [00131991] conform is met Richtlijn 2014/53/EU. De volledige tekst van de EU-conformiteitsverklaring kan worden geraadpleegd op het volgende internetadres:

www.hama.com -> 00131991 -> Downloads.

Dziękujemy za zakup naszego produktu!

Przed pierwszym użyciem należy dokładnie przeczytać instrukcję obsługi. Instrukcję należy przechować, gdyż może być jeszcze potrzebna.

1. Objasnienie symboli ostrzegawczych i wskazówek

Ryzyko porażenia prądem elektrycznym



Symbol ten wskazuje niebezpieczeństwo dotknięcia niez izolowanych części produktu, którą mogą być pod napięciem grożącym porażeniem prądem elektrycznym.

Ostrzeżenie



Używane w celu zwrócenia uwagi na szczególnie niebezpieczeństwo lub ryzyko.

Wskazówki



Używane w celu zwrócenia uwagi na szczególnie przydatne informacje.

2. Przegląd

Odbiornik/słuchawki – rys. 1

1. Włącznik/wyłącznik
2. Wskaźnik sygnału LED (praca, status połączenia Bluetooth lub wskaźnik baterii)
3. Regulacja głośności (0 = głośność minimalna, 10 = głośność maksymalna)
4. Regulacja balansu (R = prawo / L = lewo)

Odbiornik/słuchawki – rys. 2

5. Przycisk odtwarzania (Play) / Pauza / Odbieranie połączenia / Odkładanie słuchawki
6. Przycisk mikrofonu / Bluetooth Pairing (parowanie)
7. Wbudowany mikrofon
8. Styki ładowania słuchawek
9. Lewa strona słuchawek (szara) z przegubem kulowym
10. Prawa strona słuchawek (czerwona) z przegubem kulowym

Stacja ładowania/nadajnik – rys. 3

11. Styki ładowania nadajnika
12. Wskaźnik sygnału LED (praca lub status połączenia Bluetooth)

Tylna część stacji ładowania / nadajnika – rys. 4

13. Przyłącze zasilania/zasilacza (zasilacz 5,5 V – 550 mA)
14. Przycisk „Pair” do łączenia/parowania (stacji ładowania ze słuchawkami)
15. Złącze „Audio-In” do analogowego połączenia audio (wtyk jack 3,5 mm lub adapter cinch)
16. Przełącznik wyboru wejścia dla połączenia audio

3. Zawartość opakowania

- Słuchawki/odbiornik ze zintegrowanym akumulatorem litowo-polimerowym
- Nadajnik / stacja ładowania
- Zasilacz sieciowy z wtyczką

- Analogowy kabel adaptera audio (czerwony/biały) –
- 2x cinch na wtyk jack 3,5 mm stereo
- Analogowy kabel audio (wtyk jack 3,5 mm stereo na obu końcach niebieski)
- Optyczny przewód światłowodowy audio (Toslink/ODT) czarny
- 2 pary poduszek słuchawkowych

3. Wskazówki bezpieczeństwa

Ostrzeżenie



- Produkt ten jest przeznaczony specjalnie dla osób o ograniczonej zdolności słyszenia. Wytwarza on dźwięki o podwyższonym poziomie głośności.
- Przed użyciem osoby normalnie słyszące powinny ustawić głośność podłączonych urządzeń audio na najniższy poziom głośności!
- Niniejsze urządzenie transmituje sygnały na częstotliwości 2400 MHz. Przed zakupem tego produktu osoby z rozrusznikami serca powinny skonsultować się z lekarzem, gdyż produkt ten może zakłócać działanie rozruszników serca.
- Wysokie ciśnienie akustyczne!
- Ryzyko uszkodzenia słuchu.
- Aby zapobiec ryzyku uszkodzenia słuchu, unikać słuchania przy dużym poziomie głośności i przez długi czas.
- Podczas używania produktu ograniczona jest percepcja dźwięków z otoczenia. Z tego powodu stosując produkt, nie obsługiwać pojazdów ani maszyn.
- Głośność ustawiać zawsze na rozsądny poziom. Wysoki poziom głośności może – nawet jeżeli trwa krótko – prowadzić do uszkodzenia słuchu.



- Chronić produkt przed zanieczyszczeniem, wilgocią i przegrzaniem oraz stosować go tylko w suchym otoczeniu.
- Nie używać produktu w bezpośredniej bliskości ogrzewania, innych źródeł ciepła ani nie wystawiać go na bezpośrednie promieniowanie słoneczne.
- Używać produktu wyłącznie w umiarkowanych warunkach klimatycznych.
- Trzymać urządzenie, jak wszystkie urządzenia elektryczne, z dala od dzieci!
- Nie stosować produktu poza zakresem mocy podanym w danych technicznych.
- Nie stosować produktu w wilgotnym otoczeniu i chronić go przed bryzgami wody.
- W pobliżu produktu ani na produkcie nie stawiać żadnych naczyń wypełnionych płynami, np. wazonów z kwiatami. Naczynie może się przechylić, a płyn może spowodować zagrożenie elektryczne.
- Materiały opakowaniowe trzymać koniecznie z dala od dzieci, istnieje niebezpieczeństwo uduszenia.
- Akumulator jest zamontowany na stałe i nie można go usunąć.
- Nie otwierać, uszkadzać ani nie polykać akumulatorów lub baterii oraz chronić je przed kontaktem ze środowiskiem. Mogą one zawierać toksyczne i szkodliwe dla środowiska metale ciężkie.

- Nie modyfikować / deformować / podgrzewać / rozkładać akumulatorów / baterii.
- Produkt jest przeznaczony do prywatnego, niekomercyjnego użytku domowego.
- Stosować produkt wyłącznie zgodnie z przewidzianym przeznaczeniem.
- Dzieci powinny być nadzorowane, aby nie używały urządzenia do zabawy.
- Nie używać produktu w miejscach, gdzie nie jest dozwolone stosowanie urządzeń elektronicznych.
- Wszystkie kable poprowadzić tak, aby nie stanowiły one ryzyka potknięcia się.
- Nie zginać ani nie zakleszczać kabla.
- Chronić produkt przed upadkiem i silnymi wstrząsami.
- Materiały opakowaniowe należy natychmiast poddać utylizacji zgodnie z obowiązującymi przepisami miejscowymi.
- Nie modyfikować urządzenia. Prowadzi to do utraty wszelkich roszczeń z tytułu gwarancji.

Ryzyko porażenia prądem elektrycznym



- Nie otwierać produktu i nie używać go, gdy jest uszkodzony.
- Nie używać produktu, jeżeli zasilacz sieciowy, kabel zasilacza bądź przewód sieciowy są uszkodzone.
- Nie próbować naprawiać samodzielnie urządzenia. Prace serwisowe zlecać wykwalifikowanemu personelowi fachowemu.

5. Wprowadzenie

Niniejszy CYFROWY BEZPRZEWODOWY ZESTAW SŁUCHAWKOWY Z PAŁĄKIEM POD BRODĘ korzysta z najnowszej technologii bezprzewodowej Bluetooth i umożliwia również starszym osobom niepowtarzalne doznania akustyczne podczas oglądania telewizji bądź słuchania muzyki. Dodatkowo pozwala na równoczesne podłączenie smartfona lub tabletu (Multipoint = możliwość równoczesnego podłączenia do tego zestawu słuchawkowego dwóch urządzeń).

To łatwy sposób na połączenie nadajnika z wybranym źródłem audio, takim jak: odtwarzacz DVD, odtwarzacz CD, telewizor, wieża Hi-Fi, smartfon lub tablet. Bez skomplikowanego podłączania kabli – dzięki łatwej i szybkiej instalacji Plug/Pair & Play można delektować się dźwiękiem o porównywalnym brzmieniu. Sposób połączenia – za pomocą złączy analogowych (cinch lub jack), złączy cyfrowych (optycznie) lub bezpośredniego połączenia bezprzewodowego (Bluetooth) – pozostaje bez znaczenia.

6. Ogólne działanie

- Technologia bezprzewodowa Bluetooth 2,4 GHz
- Stacja ładowania z diodą LED
- Automatyczne odłączanie produktu w przypadku bezpośredniego połączenia Bluetooth (gdy zestaw słuchawkowy jest wpięty do stacji ładowania)
- Funkcja wyciszenia do odbioru rozmów przez mikrofon wewnętrzny lub automatyczne przełączenie na smartfon/tablet w przypadku sparowania z wieloma urządzeniami / odbioru rozmowy

- System szybkiego ładowania (pełne ładowanie słuchawek trwa ok. 2–3 godzin)
- Regulacja głośności w zależności od indywidualnych potrzeb
- Regulator balansu lewo/prawo
- Play/Pause lub przycisk odbioru rozmowy na pałąku pod brodą do zatrzymania dźwięku lub funkcji smartfon/tablet
- Wskaźnik LED stanu pracy/baterii lub stanu połączenia/sparowania Bluetooth
- Przełącznik wyboru połączenia analogowego lub cyfrowego ze źródłem dźwięku na stacji nadawczej/ładowania
- 2 rozmiary poduszek słuchawkowych do indywidualnego dopasowania
- W stanie połączenia ze smartfonem/tabletem: wskaźnik akumulatora słuchawek (zależnie od funkcji smartfona/tabletu)

7. Dane techniczne

Tryb nadawania	technologia bezprzewodowa Bluetooth
Częstotliwość nośnika	2,4 GHz
Napięcie robocze nadajnika	5 V, 550 mA
Napięcie robocze odbiornika	3,7 V, 380 mAh przez akumulator litowo-polimerowy
Zakres częstotliwości	20 Hz – 20 kHz
Zniekształcenia częstotliwościowe	< 1 %
Stosunek sygnału do szumu	> 70 dB
Zasięg	10 m
Czas rozmowy / muzyka	Maks. głośność: 5 h Śr. głośność: 6 h Min. głośność: 8 h przy całkowicie naładowanym akumulatorze
Czas czuwania (Standby)	250 h
Technologia Bluetooth	Bluetooth V4.1
Profil Bluetooth	HSP, HFP, A2DP, AVRCP, SPP
Akumulator	Zintegrowany akumulator litowo-polimerowy 3,7 V
Pojemność akumulatora	380 mA
Pasma częstotliwości / pasma częstotliwości	2402–2480 MHz
Maksymalna emitowana moc nadawania	4 dBm

8. Instalowanie nadajnika – rys. 4 + 5 + 6

Ostrzeżenie



- Podłączać produkt tylko do odpowiedniego gniazda wtykowego. Gniazdo wtykowe musi znajdować się w pobliżu produktu i być łatwo dostępne.
 - Odłączyć produkt od sieci za pomocą wyłącznika zasilania – jeżeli nie jest on na wyposażeniu, wyciągnąć przewód sieciowy z gniazda wtykowego.
 - W przypadku wielu gniazd wtykowych zwracać uwagę, aby podłączone urządzenia nie przekraczały dopuszczalnego, całkowitego poboru mocy.
 - W przypadku nieużywania produktu przez dłuższy czas odłączyć go od zasilania.
- Połączyć zasilacz sieciowy z gniazdem przyłączeniowym z tyłu nadajnika (rys. 5). Jako pomoc służy znacznik ze zgodnym kolorem (żółty) na stacji ładowania. Połączenie ze źródłem zasilania odbywa się w późniejszym kroku.

Dostępne są 3 możliwości podłączenia:

- A) Analogowe połączenie audio od strony np. TV/Hi-Fi za pomocą kabla adaptera z wtykiem jack 3,5 mm lub cinch
- B) Optyczne połączenie cyfrowe od strony np. TV/Hi-Fi/soundbara za pomocą kabla TOSLINK
- C) Bezpośrednie połączenie Bluetooth od strony TV/Hi-Fi/soundbara bezpośrednio z zestawem słuchawkowym

Połączyć odpowiednio w zależności od wybranego rodzaju podłączenia.

8.1 Opcje podłączenia za pomocą kabla

8.1.1 Analogowe połączenie audio za pomocą złącza jack lub cinch (rys. 4 + 6)

- Kabel z wtykiem jack jest często stosowany do podłączania słuchawek do TV/Hi-Fi. Stosując takie rozwiązanie należy podłączyć jeden koniec kabla z wtykiem jack do złącza na słuchawki w telewizorze, a drugi koniec do gniazda nadajnika / stacji ładowania. Jako pomoc służy znacznik ze zgodnym kolorem (niebieski) na stacji ładowania (złącze nr 5 na rys. 4).
- Kabel z wtykiem cinch jest często stosowany do zewnętrznych wyjść audio np. w urządzeniach set-top box, Hi-Fi lub telewizorach, co zapewnia bezpośredni sygnał audio (często kolorowe oznaczenie za pomocą białego i czerwonego złącza). Stosując to rozwiązanie należy podłączać kabel z wtykiem jack (wtyk niebieski) i kabel z wtykiem cinch (wtyki czerwony i biały) w następujący sposób: wpiąć wtyki cinch odpowiednio do źródła wyjścia sygnału audio (np. Hi-Fi / przystawka STB lub telewizor). Do oznaczenia kierunków prawo/lewo użyto kolorów. Czerwony zawsze oznacza prawo. Drugi koniec (wtyk jack niebieski) podłączyć do złącza nadajnika / stacji ładowania. Jako pomoc służy znacznik ze zgodnym kolorem (niebieski) na stacji ładowania. (złącze nr 5 na rys. 4).

8.1.2 Cyfrowe połączenie audio za pomocą kabla Toslink/ODT:

Cyfrowe, optyczne połączenie audio to pod względem jakości najlepsze połączenie kablowe (bez opóźnień czasowych między obrazem a dźwiękiem) jakie można zastosować. Zdjąć zaślepki ochronne z obu końców kabla i podłączyć je z TV/Hi-Fi/soundbarem z jednej oraz ze stacją nadawczą/ładowania z drugiej strony. Należy zwrócić uwagę na prowadnice wtyków! Jako pomoc służy znacznik ze zgodnym kolorem (czarny) na stacji ładowania (złącze nr 7 na rys. 4).

W przypadku połączenia kablowego (punkt 8.1.1 lub 8.1.2) z nadajnikiem / stacją ładowania wybrać odpowiednie źródło wejściowe (przełącznik nr 6 na rys. 4).

8.1.3 Uruchomienie zestawu słuchawkowego z nadajnikiem / stacją ładowania

Ostrzeżenie



- Do ładowania używać tylko odpowiednich ładowarek.
- Nie należy stosować uszkodzonych ładowarek ani próbować ich naprawiać.
- Chronić produkt przed przeladowaniem lub głębokim rozładowaniem.
- Unikać przechowywania, ładowania i stosowania w skrajnych temperaturach.
- W przypadku dłuższego przechowywania regularnie (przynajmniej co kwartał) doładowywać akumulatory.

Wskazówki



W zależności od telewizora w trakcie korzystania ze złącza audio 3,5 mm na słuchawki odbiornik jest wyciszony, a w razie potrzeby należy w jego menu ustawić żądaną głośność słuchawek (dla słuchawek bezprzewodowych zaleca się ustawienie głośności na poziomie ok. 80–90%). Nie ma to zwykle wpływu na ustawienie poziomu głośności telewizora, ale może się zdarzyć, że regulacja głośności jest konieczna



Wskazówki



Przed pierwszym użyciem należy całkowicie naładować akumulator. Przed pierwszym użyciem ładować akumulator przez co najmniej 3 godziny. Podczas ładowania zestaw słuchawkowy musi być wyłączony.

8.1.3.1 Włączanie i łączenie sparowanych urządzeń (nadajnik / stacja ładowania z zestawem słuchawkowym)

Podczas pierwszego uruchomienia słuchawki nie mogą być wpięte w stację ładowania!

Fabrycznie zarówno nadajnik / stacja ładowania, jak i zestaw słuchawkowy są już sparowane/zsynchronizowane. Przełączyć słuchawki na „ON” (rys. 1 z przełącznikiem nr 1). Dioda LED na słuchawkach (rys. 1 nr 2) miga powoli na NIEBIESKO. Następnie wpiąć zasilacz do przewidzianego w tym celu gniazda zasilania elektrycznego (rys. 5). Nadajnik / stacja ładowania miga najpierw szybko (rys. 3 dioda LED nr 2), a później wolniej, aż po pomyślnym nawiązaniu połączenia świeci światłem

ciągłym na NIEBIESKO.

Przed pierwszym nałożeniem słuchawek na uszy ustawić minimalną głośność słuchawek. Teraz już można się delektować dźwiękiem z analogowego źródła audio (TV/Hi-Fi itp.).

8.1.3.2 Łączenie/parowanie nadajnika i odbiornika (stacji ładowania z zestawem słuchawkowym).

Jeśli łączenie/parowanie nadajnika i odbiornika nie zostało wykonane fabrycznie (migają obie diody LED na stacji ładowania i pałąku pod brodę), wówczas należy przeprowadzić łączenie/parowanie ręczne.

- W tym celu należy wpiąć kabel sieciowy w złącze na stacji ładowania (rys. 4 złącze nr 3 / żółte).
- Upewnić się, że pałąk pod brodę jest wyłączony (rys. 1 przełącznik nr 1 w pozycji „OFF”).
- Teraz włączyć pałąk pod brodę (rys. 1 przełącznik nr 1 na pozycję „ON”).
- Wcisnąć przycisk mikrofonu/parowania (rys. 2 przycisk nr 6) na ok. 7 sekund. Dioda LED zaczyna migać szybko na NIEBIESKO.

Wskazówki

Jeśli dioda LED miga na ZIELONO, oznacza to, że przycisk był wciśnięty zbyt krótko. Powtórzyc proces.

- Następnie wpiąć kabel sieciowy stacji nadawczej do gniazda stacji ładowania (rys. 4 złącze nr 3 / żółte) i wcisnąć przycisk „PAIR” (rys. 4 przycisk nr 4) na ok. 1 sekundę.
- Odczekać kilka sekund (do 15 s), aż do momentu zsynchronizowania/połączenia nadajnika i odbiornika. Po pomyślnym nawiązaniu połączenia obie diody LED świecą światłem ciągłym na NIEBIESKO.
- Teraz można rozpocząć korzystanie z analogowego źródła audio zgodnie z opisem w punkcie 8.1.3.1.

Wskazówki

- Należy pamiętać, że system wyłącza się automatycznie, gdy nadajnik i pałąk pod brodę nie zostaną połączone w ciągu 2 minut!
- Transmisja z nadajnika jest automatycznie przerywana po wpięciu słuchawek do stacji nadawczej/ładowania (proces ładowania). W celu ponownego nawiązania połączenia należy odłączyć słuchawki od stacji i wyłączyć lub ponownie załączyć włącznik/wyłącznik (parowanie następuje automatycznie).

8.2 Opcje podłączania bezprzewodowego (przez Bluetooth)

Istnieje możliwość bezpośredniego połączenia za pomocą Bluetooth między TV/Hi-Fi/soundbarem lub smartfonem/tabletem (wymagana obsługa technologii Bluetooth) a słuchawkami z pałąkiem pod brodę.

W przypadku takiego połączenia możliwe jest dodatkowo korzystanie z funkcji dzwonienia z opcją odbioru i zakończenia połączenia telefonicznego.

8.2.1.1 Pierwsze łączenie Bluetooth (parowanie)

Wskazówka: Parowanie

- Urządzenie końcowe Bluetooth musi być włączone, a łącze Bluetooth musi być aktywne.
- Urządzenie końcowe Bluetooth musi być „widoczne” dla innych urządzeń Bluetooth.
- Uwzględnić instrukcję obsługi urządzenia końcowego.

Wskazówka: połączenie Bluetooth z telewizorem/Hi-Fi/soundbarem lub smartfonem/tabletem

- Upewnić się, że dane urządzenie (TV/Hi-Fi/soundbar/smartfon itp.) jest kompatybilne z zestawem słuchawkowym z technologią Bluetooth.
- Sprawdzić, czy parowanie należy wykonać przez menu dźwięk/audio czy przez menu połączeń. Tym samym połączenie z innymi akcesoriami, np. z klawiaturą, nie będzie możliwe.
- Uwzględnić instrukcję obsługi telewizora. Poza tym urządzenie końcowe musi obsługiwać poszczególne funkcje (muszą być obsługiwane profile Bluetooth).
- Słuchawki i urządzenie końcowe nie powinny znajdować się od siebie w odległości większej niż 1 m. Im mniejsza odległość, tym lepiej. Poza tym urządzenie końcowe musi obsługiwać poszczególne funkcje (muszą być obsługiwane profile Bluetooth).

- Upewnić się, że słuchawki są naładowane.
- Upewnić się, że stacja nadawcza/ładowania jest odłączona od zasilania (rys. 4 złącze nr 3 / żółte).
- Upewnić się, że pałąk pod brodę jest wyłączony (rys. 1 przełącznik nr 1 w pozycji „OFF”).
- Teraz ponownie włączyć pałąk pod brodę (rys. 1 przełącznik nr 1 na pozycję „ON”).
- Wcisnąć przycisk mikrofonu/parowania (rys. 2 przycisk nr 6) na ok. 7 sekund. Dioda LED zaczyna szybko migać na NIEBIESKO. Zestaw słuchawkowy szuka teraz połączenia Bluetooth.

Wskazówki

Jeśli dioda LED miga na ZIELONO, oznacza to, że przycisk był wciśnięty zbyt krótko. Powtórzyc proces.

- Na urządzeniu końcowym (np. TV/Hi-Fi lub smartfon) otworzyć ustawienia Bluetooth w celu wyszukania urządzeń i zacząć, aż na liście pojawi się „WHP6309BT”.
- Wybrać „WHP6309BT” i poczekać, aż słuchawki zostaną wyświetlone w ustawieniach Bluetooth urządzenia końcowego jako „połączone” (connected). Dioda LED na słuchawkach miga powoli na zielono w przypadku zatrzymania dźwięku i świeci światłem ciągłym na niebiesko w przypadku otwierania.
- Teraz można zacząć korzystać ze słuchawek.
- Należy pamiętać, aby w przypadku urządzeń sparowanych przez Bluetooth regulować głośność na tych urządzeniach! Najpierw zmniejszyć głośność urządzenia (np. TV/smartfona) do 1/3 maksymalnej głośności (zapobieganie uszkodzeniu słuchu), a następnie ustawić maksymalną głośność na słuchawkach.

Wskazówka – hasło Bluetooth



Niektóre urządzenia końcowe wymagają podania hasła do konfiguracji połączenia z innym urządzeniem Bluetooth.

- Jeżeli na urządzeniu końcowym pojawi się polecenie podania hasła, w celu nawiązania połączenia z zestawem słuchawkowym wpisać hasło 0000.

8.2.1.2 Automatyczne połączenie Bluetooth (po wcześniejszym sparowaniu urządzeń)

Słuchawki łączą się automatycznie po włączeniu (rys. 1 przełącznik nr 1 na pozycję „ON”) z już połączonymi/sparowanymi urządzeniami.

8.3 Multipoint – parowanie z wieloma urządzeniami (połączenie złącza kablowego z bezprzewodowym (Bluetooth))

Oprócz połączenia kablowego (np. z TV/Hi-Fi) można dodatkowo nawiązać połączenie bezprzewodowe ze słuchawkami. Dzięki temu oprócz podłączenia telewizora można przykładowo równocześnie odbierać połączenia (rozmowy) telefoniczne ze smartfona.

Wskazówki



W tym celu słuchawki bezprzewodowe WHP6309BT muszą mieć aktywne połączenie bezprzewodowe (Bluetooth) zgodnie z rozdziałem 8.2.

- Wyłączyć połączenie bezprzewodowe na urządzeniu (np. Bluetooth na smartfonie przełączyć na „WYL.”)
- Wyjąć kabel sieciowy z gniazda w stacji ładowania (rys. 4 złącze nr 3 / żółte)
- Upewnić się, że pałąk pod brodę jest wyłączony (rys. 1 przełącznik nr 1 w pozycji „OFF”).
- Teraz włączyć pałąk pod brodę (rys. 1 przełącznik nr 1 na pozycję „ON”).
- Wcisnąć na słuchawkach przycisk mikrofonu/parowania (rys. 2 przycisk nr 6) na ok. 7 sekund. Dioda LED zaczyna migać szybko na NIEBIESKO.

Wskazówki



Jeśli dioda LED miga na ZIELONO, oznacza to, że przycisk był wciśnięty zbyt krótko. Powtórzyć proces.

- Następnie ponownie wpiąć kabel sieciowy stacji nadawczej do gniazda stacji ładowania (rys. 4 złącze nr 3 / żółte) i jeden raz wcisnąć przycisk „PAIR” (rys. 4 przycisk nr 4). Dioda LED na stacji ładowania miga szybko na NIEBIESKO.
- Odczekać kilka sekund (do 15 s), aż do momentu zsynchronizowania/połączenia nadajnika i odbiornika. Po pomyślnym nawiązaniu połączenia obie diody LED świecą światłem ciągłym na NIEBIESKO.
- Należy pamiętać, że system wyłącza się automatycznie, gdy nadajnik i pałąk pod brodę nie zostaną połączone w ciągu 2 minut! Aby się upewnić, że połączenie jest aktywne, najlepiej rozpocząć odtwarzanie źródła audio (TV/Hi-Fi).
- Włączyć funkcję Bluetooth na urządzeniu (np. przełączyć Bluetooth na smartfonie na „WŁ.”) i wybrać już **połączone/sparowane** urządzenie Bluetooth „WHP6309BT”.

- Teraz nawiązane jest równocześnie zarówno połączenie kablowe, jak i bezprzewodowe połączenie Bluetooth (jak w przypadku funkcji Multipairing).
- Po podłączeniu np. telewizora można teraz również odbierać rozmowy telefoniczne.

8.4 Proces ładowania – rys. 7

Upewnić się, że przed rozpoczęciem ładowania pałąk pod brodę jest wyłączony (rys. 1 przełącznik nr 1 w pozycji „OFF”). Umieścić słuchawki na stacji ładowania i sprawdzić, czy styki ładowania dotykają styków nadajnika. Proces ładowania rozpoczyna się automatycznie. Wskaźnik LED miga powoli na ZIELONO (rys. 1 dioda LED nr 2) w trakcie ładowania. Po całkowitym naładowaniu akumulatora dioda LED stanu świeci światłem ciągłym na ZIELONO. Czas ładowania trwa ok. 2 godzin do pełnego naładowania.

Wskazówki



Aby zapobiec uszkodzeniu akumulatorów, zawsze wyłączć słuchawki, jeżeli nie są używane. Przed pierwszym użyciem baterie muszą być całkowicie naładowane. 3-godzinne wstępne ładowanie akumulatora zapewnia odpowiednią trwałość baterii. Podczas ładowania zestaw słuchawkowy musi być wyłączony.

8.5 Inne funkcje

8.5.1.1 Ogólne zasady korzystania z mikrofonu i przycisku paazy (rys. 2 przycisk nr 6) + dioda LED (rys. 1 dioda LED nr 2)

W trybie słuchania (TV/Hi-Fi) także istnieje możliwość dodatkowego włączenia wbudowanego mikrofonu w celu rejestracji dźwięku z otoczenia (np. dzwonka do drzwi lub rozmowy). W przypadku takiego załączenia mikrofonu dioda LED świeci na ZIELONO.

Wskazówki



W celu uniknięcia uszkodzenia słuchu należy pamiętać o wysokiej czułości mikrofonu!



Za pomocą przycisku Play/Pause można w dowolnym momencie zatrzymać dźwięk audio (rys. 2 przycisk nr 5). W takim przypadku dioda LED na słuchawkach miga powoli na ZIELONO (podczas odtwarzania świeci światłem ciągłym na NIEBIESKO).

8.5.1.2 Korzystanie z mikrofonu do rozmów telefonicznych (Bluetooth ze smartfonem/tabletem) (rys. 2 przycisk nr 5) + dioda LED (rys. 1 dioda LED nr 2)

W przypadku aktywnego połączenia bezprzewodowego Bluetooth ze smartfonem/tabletem można za pomocą przycisku Play/Pause (rys. 2 przycisk nr 5) odbierać rozmowy i korzystać z mikrofonu (jeśli funkcja ta jest obsługiwana przez urządzenie końcowe). Gdy dzwoni telefon, dioda LED miga na zielono/niebiesko, a podczas rozmowy świeci na niebiesko. Odtwarzanie dźwięku jest wówczas przerywane aż do zakończenia rozmowy.

8.5.1.3 Regulacja balansu (rys. 1 regulator nr 4)

Za pomocą regulatora można skompensować różnice w słuchaniu między prawą a lewą stroną.

8.5.1.4 Informacja o stanie akumulatora (słuchawki)

Jeśli poziom naładowania pałaka jest niski, dioda LED (rys. 1 dioda LED nr 2) miga powoli na NIEBIESKO.

8.6 Lokalizacja usterek

8.6.1 Brak dźwięku

- Sprawdzić, czy zasilacz sieciowy jest prawidłowo podłączony do gniazda wtykowego, a na drugim końcu do wejścia zasilacza sieciowego nadajnika.
- Zarówno na nadajniku, jak i na zestawie słuchawkowym wyłącznik zasilania Wł./wył. musi znajdować się w pozycji „ON”.
- Poziom naładowania akumulatora słuchawek może być za niski. Naładować akumulator.
- Sprawdzić, czy telewizor, wieża Hi-Fi lub urządzenie audio jest włączone i czy jest ustawiony kanał do transmisji sygnałów audio.
- Poziom wyjścia (głośności) na urządzeniu audio może być ustawiony zbyt nisko. Odpowiednio wyregulować głośność.
- Zwiększyć głośność regulatorem na słuchawkach.
- Czy przycisk Pause na słuchawkach jest wciśnięty (dioda LED na słuchawkach miga powoli na ZIELONO)?
- Możliwe, że podłączone urządzenie audio/wideo nie znajduje się w trybie odtwarzania? Odpowiednio włączyć urządzenie.

9. Czyszczenie

Wskazówki



Przed czyszczeniem i w przypadku dłuższego nieużywania odłączyć urządzenie od zasilania elektrycznego.

- Produkt można czyścić jedynie lekko zwilżoną szmatką. Do czyszczenia nie należy używać żadnych silnych i agresywnych detergentów.
- Ze względów higienicznych regularnie czyścić poduszki słuchawkowe środkami bez dodatku alkoholu.

7. Wyłączenie odpowiedzialności

Hama GmbH & Co KG nie udziela gwarancji ani nie odpowiada za szkody wskutek niewłaściwej instalacji, montażu oraz nieprawidłowego stosowania produktu lub nieprzestrzegania instrukcji obsługi i/lub wskazówek bezpieczeństwa.

8. Serwis i pomoc techniczna

W razie pytań dotyczących produktu prosimy zwrócić się do infolinii Hama.

Gorąca linia: +49 9091 502-115 (niem./ang.)

Dodatkowe informacje są dostępne na stronie:

www.hama.com

9. Informacje dotycząca recyklingu

Wskazówki dotyczące ochrony środowiska:



Od czasu wprowadzenia europejskiej dyrektywy 2012/19/EU i 2006/66/EU do prawa narodowego obowiązują następujące ustalenia: Urządzeń elektrycznych, elektronicznych oraz baterii

jednorazowych nie należy wyrzucać razem z codziennymi odpadami domowymi! Użytkownik zobowiązany prawnie do odniesienia zepsutych, zniszczonych lub niepotrzebnych urządzeń elektrycznych i elektronicznych do punktu zbiórki lub do sprzedawcy. Szczegółowe kwestie regulują przepisy prawne danego kraju. Informuje o tym symbol przekreślonego kosza umieszczony na opakowaniu. Segregując odpady pomagasz chronić środowisko!

10. Deklaracja zgodności



Hama GmbH & Co KG niniejszym oświadcza, że typ urządzenia radiowego [00131991] jest zgodny z dyrektywą 2014/53/UE. Pełny tekst deklaracji zgodności UE jest dostępny pod następującym adresem internetowym: www.hama.com -> 00131991 -> Downloads.

Köszönjük, hogy ezt a Thomson terméket választotta! Kérjük, hogy felszerelés előtt szánjon rá időt és olvassa el végig az alábbi útmutatót. A későbbiekben tartsa biztonságos helyen ezt a füzetet, hogy ha szükség van rá, bármikor megtalálja. Ha eladja ezt a terméket, vele együtt adja tovább ezt az útmutatót is az új tulajdonosnak.

1. Figyelmeztető szimbólumok és előírások ismertetése

Áramütés veszélye



Ez a szimbólum a termék azon nem szigetelt részeinek megérintésére vonatkozó veszélyre utal, amelyek olyan szintű veszélyes feszültségen lehetnek, ami miatt áramütés veszélye áll fenn.

Figyelmeztetés



Figyelmeztető jeleket használunk a biztonsági tényezők bemutatására, ill. felhívjuk a figyelmet a különleges veszélyekre és kockázatokra.

Hivatkozás



Az itt látható figyelmeztető jeleket használjuk fel, ha kiegészítő információkat közlünk vagy fontos tudnivalókra hívjuk fel a figyelmet.

2. Áttekintés

Vevőegység/fejhallgató - ábra 1

1. Be-/kikapcsoló
2. LED jelkijelzés (használat, Bluetooth állapot vagy töltőszéljelző)
3. Hangerőszabályzó (0 = legalacsonyabb hangerő, 10 = maximális hangerő)
4. Balance-szabályzó (R=jobb/L=bal)

Vevőegység/fejhallgató – ábra 2

5. Lejátszás (play)/szünet/hívásfogadás/hívás elutasítása gomb
6. Mikrofon/Bluetooth párosítás gomb (párosítás)
7. Beépített mikrofon
8. Fejhallgató töltőérintkezők
9. Bal fejhallgató oldal (szürke) gőmbcsuklóval
10. Jobb fejhallgató oldal (piros) gőmbcsuklóval

Töltőállomás/adókészülék – ábra 3

11. Töltőérintkező adókészülék
12. LED jelkijelzés (használat, ill. Bluetooth állapot)

Töltőállomás/adók a hátoldalon – ábra 4

13. Tápcsatlakozó/hálózati csatlakozó (hálózati tápegység 5,5V – 550mA-rel)
14. „Párosítás” gomb a párosításhoz/összekapcsoláshoz (töltőállomás fejhallgatóhoz)
15. „Audio-In” csatlakozás analóg audiocsatlakozáshoz (3,5 mm-es jack vagy RCA adapter)
16. Bemenetválasztó kapcsoló audio csatlakozáshoz

3. A csomag tartalma

- Fejhallgató/vevő beépített lítium-polimer akkumulátorral
- Adókészülék/töltőállomás
- Hálózati tápegység
- Analóg audio-adapterkábel (piros/fehér) – 2x RCA 3,5 mm sztereó jack csatlakozón
- Analóg audio kábel (3,5 mm-es sztereó jack dugasz mindkét végén kék)
- Száloptikai kábel (Toslink/ODT) fekete
- 2 pár fülpárna

4. Biztonsági előírások:

Figyelmeztetés



- Ezt a terméket speciálisan olyan személyek számára tervezték, akiknek a hallóképessége többek között korlátozott. Ezért képes szokatlanul magas hangerőket generálni.
- A termék használata előtt a normálisan halló személyek a csatlakoztatott lejátszó készülék hangerejét a legalacsonyabb szintre kell állítsák!
- Ez a készülék jeleket küld 2400 MHz-es frekvencián. Mielőtt ezt a terméket szívritmus-szabályzót viselő személyek megvásárolnák, kérjük ki orvos tanácsát, mivel a cikk üzemeltetése a szívritmus-szabályzó működését korlátozhatja.
- Magas hangnyomás!
- Halláskárosodás veszélye áll fenn.
- Ahhoz, hogy elkerülje a hallása károsodását, kerülje a zenehallgatást túl nagy hangerővel hosszabb ideig.
- A termék használata korlátozza Önt a környezeti zajok észlelésében. Ezért használata közben ne kezeljen járművet vagy gépet.
- A hangerőt tartsa mindig ésszerű szinten. A nagy hangerő – akár rövid ideig is – halláskárosodáshoz vezethet.



- Óvja meg a terméket szennyeződéstől, nedvességtől és túlmelegedéstől, és kizárólag zárt környezetben használja.
- A terméket ne használja a fűtés és egyéb hőforrások közelében, vagy közvetlen napsütésnek kitéve.
- A terméket csak mérsékelt éghajlati feltételek között használja.
- Ez a készülék, mint minden elektromos készülék, nem gyermekek kezébe való!
- Ne üzemeltesse a terméket a műszaki adatokban megadott teljesítményhatárain túl.
- Ne használja a terméket párás környezetben, és kerülje az érintkezést fröccsenő vízzel.
- Ne helyezzen folyadékkal töltött edényeket, pl. virágvázak, a termékre vagy annak közvetlen közelébe. Az edény felborulhat, és a folyadék befolyásolhatja az elektromos biztonságot.
- Feltétlenül tartsa távol a gyermekeket a csomagolóanyagtól, mert fulladásveszély áll fenn.
- Az akkumulátor állandó beszerelésű és nem távolítható el.

- Az akkumulátorokat és elemeket soha ne nyissa fel, károsítsa, nyelje le vagy juttassa a környezetbe. Mérgező és környezetre káros nehézfémeket tartalmazhatnak.
- Ne módosítsa és/vagy deformálja/hevítse/szedje szét az akkumulátorokat/elemeket.
- A termék a magánháztartási, nem üzleti célú alkalmazásra készül.
- A terméket kizárólag az előírt célra használja.
- A gyermekekre ügyelni kell, nehogy játsszanak a készülékkel.
- Ne használja a terméket olyan helyen, ahol elektronikus készülékek nincsenek megengedve.
- Úgy helyezze el az összes kábelt, hogy azok ne okozzanak botlásveszélyt.
- Ne törje meg és ne csíptesse be a kábelt.
- Ne ejtse le a terméket és ne tegye ki heves rázkódásnak.
- Azonnal ártalmatlanítsa a csomagolóanyagot a helyi érvényes ártalmatlanítási előírások szerint.
- Ne végezzen módosítást a készüléken. Ebben az esetben minden garanciaigény megszűnik.

Aramütés veszélye



- Ne nyissa ki a terméket és sérülés esetén ne üzemeltesse tovább.
- Ne használja a terméket, ha az AC-adapter, az adapterkábel vagy a hálózati kábel megsérült.
- Ne kísérlelje meg a készülék saját karbantartását vagy javítását. Bármely karbantartási munkát bízjon illetékes szakemberre.

5. Bevezetés

Ez a DIGITAL WIRELESS CHINEL HEAD állpántos fejhallgató a legújabb vezeték nélküli Bluetooth-technológiával dolgozik és lehetővé teszi, hogy az idősebb személyek is tökéletes, kristálytisza hangot élvezhessenek otthoni tévézés és zenehallgatás közben. Ugyanakkor lehetőséget nyújt egy okostelefon vagy tablet egyszerű történő csatlakoztatására is (multipont = két készülék egyidejűleg csatlakoztatható ezzel a fejhallgatóval).

Az adót kösse össze egyszerűen a kívánt hangforrással: DVD-lejátszó, CD-lejátszó, TV-készülék, Hi-Fi-berendezés, okostelefon vagy táblagép. Bonyolult kábelezés nélkül, a legegyszerűbb plug/pair & play telepítéssel semmi perc alatt élvezheti a magával ragadó, eleven hanghatást. Nem számít, hogy analóg csatlakozáson (RCA vagy jack), digitális csatlakozáson (optikai) vagy közvetlen vezeték nélküli kapcsolaton (Bluetooth-on) keresztül használja-e a kapcsolatot.

6. Általános funkció

- 2,4 GHz-es vezeték nélküli Bluetooth-technológia
- Töltőállomás LED kijelzővel
- A termék automatikusan kikapcsol Bluetooth közvetlen kapcsolatnál (amikor a vevő csatlakozik a töltőállomáshoz)
- Némitás a hangfelvételekhez belső mikrofon segítségével, vagy automatikus átváltás okostelefonra/táblagépre multi párosításnál/hívásfogadásnál
- Gyorstöltő rendszer (kb. 2-3 óráig tart, amíg a fejhallgató teljesen feltöltődik)

- Hangerőszabályzó az egyéni beállításhoz
- Balance-szabályozás bal/jobbról
- Lejátszás/szünet vagy válasz gomb az állpánton a lejátszásszünethez vagy okostelefon/tablet funkció használatához
- LED állapotkijelzés használat kijelzése/töltöttségjelző, ill. állapotkijelzés Bluetooth-kapcsolathoz/párosításhoz
- A hangforrás analóg vagy digitális csatlakoztatására szolgáló kapcsoló az adó/töltőállomáson
- 2 fülpárna méret az egyéni beállításhoz
- Csatlakoztatott okostelefon/tablet állapotban: A fülhallgató akkumulátorjelzője (az okostelefon/tablet funkció függvényében)

7. Műszaki adatok

Adási mód	vezeték nélküli Bluetooth-technológia
Vivőfrekvencia	2,4 GHz
Üzemi feszültség adó	5 V, 550 mA
Üzemi feszültség vevő	3,7 V, 380 mAh lítium-polimer akkumulátor
Frekvenciatartomány	20 Hz – 20 kHz
Torzítás	< 1 %
Jel-zaj viszony	> 70 dB
Hatótávolság	10 m
Beszélgetés/zene	Max. hangerő: 5h Közepes hangerő: 6h Min. Hangerő: 8 h teljesen feltöltött akkumulátor esetén
Készenlét	250 h
Bluetooth-technológia	Bluetooth V4.1
Bluetooth profil	HSP, HFP, A2DP, AVRCP, SPP
Akkumulátor	Integrált lítium-polimer akkumulátor 3,7V
Akkumulátorkapacitás	380 mA
Frekvenciatartomány/frekvenciasáv	2402 – 2480 MHz
max. sugárzott adási teljesítmény	4 dBm

8. Az adókészülék telepítése ábra 4 + 5 + 6

Figyelmeztetés



- Kizárólag egy erre a célra engedélyezett csatlakozó aljzattal üzemeltesse a terméket. A csatlakozó aljzatnak a termék közelében kell elhelyezkednie, és könnyen hozzáférhetőnek kell lennie.
 - A terméket a be-/kikapcsolóval válassza le a hálózatról – ha ilyen nincs, húzza ki a hálózati kábelt a dugaszaljzatról.
 - Dugaszor esetén ügyeljen rá, hogy a csatlakoztatott fogyasztók ne lépjék túl a megengedett összesített teljesítményfelvételt.
 - Ha hosszabb ideig nem használja a terméket, válassza le a hálózatról.
- Csatlakoztassa a tápegységet az adóegység hátoldalán lévő csatlakozóba (5. ábra). A színegyezés (sárga) a töltőállomáson segítségként szolgál. A tápcsatlakozás egy későbbi lépésben történik.

3 csatlakozási lehetőség áll rendelkezésre:

- A) Analóg audiocsatlakozás, pl. TV/HiFi 3,5 mm-es jack vagy RCA adapterkábelen keresztül
B) Optikai digitális csatlakozás pl. TV/HiFi/Soundbar Toslink kábelen keresztül
C) Közvetlen Bluetooth-kapcsolat TV-hez/HiFi-hez/Soundbarhoz közvetlenül az állpántos fejhallgatóhoz
- A csatlakozás típusától függően, hozza létre a csatlakozásokat.

8.1 Vezetékes csatlakozási lehetőségek

8.1.1 Analóg hangcsatlakozás jack vagy RCA csatlakozón keresztül (4 + 6 ábra)

- A jack kábelt gyakran a TV / HiFi fejhallgató csatlakozójához használják, ahol az aljzat egyik végét a TV fejhallgató csatlakozójához a másik végét pedig az adó/töltő dugaszához csatlakoztathatja. A színegyezés (kék) a töltőállomáson (5. csatlakozó a 4. ábráról) segítségként szolgál.
- A jack kábelt gyakran külső audio kimenetekhez használják pl. A SET-TOP-BOX-hoz/HiFi-hez vagy a TV-hez közvetlen audio hangjel biztosításához (általában színnel jelzett fehér és piros csatlakozóaljzatokkal). Itt csatlakoztathatja az jack kábelt (kék dugasz) és az RCA adapterkábel (piros/fehér dugasz): Csatlakoztassa a jack dugókat az audio kimeneti forrásnak megfelelően (pl. HiFi/STB vagy TV). A jobb/bal oldalt a színek jelzik. Ahol a piros mindig a jobb oldalt jelzi. Csatlakoztassa a másik végét (kék jack csatlakozó) az adó-/töltőállomás aljzatához. A színegyezés (kék) a töltőállomáson segítségként szolgál. (5. aljzat a 4. ábráról) segítségként szolgál.

8.1.2 Digitális hangkapcsolat Toslink/ODT kábel segítségével:

A digitális optikai audiocsatlakozás a legjobb minőségű vezetékes kapcsolat (nincs időbeli késleltetés a kép és a hang között), amelyet létre lehet hozni. Lazítsa meg a porvédő sapkát a kábel mindkét oldalán, és csatlakoztassa őket egyrészt a TV-

hez/HiFi-hez/Soundbar-hoz, másrészt az adó-/töltőállomáshoz. Kérjük, vegye figyelembe, hogy a dugaszoknak vezetőik vannak! A színegyezés (fekete) a töltőállomáson (7. csatlakozó a 4. ábrán) segítségként szolgál.

Az adó-/töltőállomáshoz történő kábeles csatlakozásnál (8.1.1 vagy 8.1.2 pont) válassza ki a megfelelő bemeneti forrást (6. kapcsoló a 4. ábrán) segítségként szolgál.

8.1.3 A fejhallgató üzembe helyezése adó-/töltőállomással

Figyelmeztetés



- A töltéshez csak megfelelő töltőket vagy USB-csatlakozókat használjon.
- A meghibásodott töltőkészülékeket ne használja tovább, és ne próbálja megjavítani őket.
- Ne töltsen túl és ne merítse túlságosan a terméket.
- Kerülje a tárolást, a töltést és a használatot extrém hőmérsékleteken.
- Hosszabb tárolás esetén rendszeresen (min. negyedévente) töltsen a terméket.

Hivatkozás



A tévékészüléktől függően a tv-készülék elnélmű, ha a 3,5 mm-es fejhallgató-csatlakozót használja – ha szükséges, be kell állítani többek között a fejhallgató hangerejét a TV menüjében (a vezeték nélküli fejhallgatórendszer használatára vonatkozó ajánlás szerint kb. 80%-90%-os hangertől kell beállítani a fejhallgatót).

A TV hangszórójának beállítása gyakran változatlan marad, vagy ennek megfelelően kell beállítani



Hivatkozás



Első használat előtt bizonyosodjon meg róla, hogy az akku teljesen fel van töltve. Első használat előtt töltsen az akkumulátort minimum 3 órán át. Bizonyosodjon meg róla, hogy a fejhallgató a töltési folyamat során ki legyen kapcsolva és ne legyen üzemben.

8.1.3.1 Párosított eszközök aktiválása és összekapcsolása (adókészülék/töltőállomás az állpántos fejhallgatóhoz)

Ügyeljen arra, hogy a fejhallgató első használatakor ne csatlakoztassa a töltőállomáshoz.

Kiszállítási állapotban az adókészülék/töltőállomás és az állpántos fejhallgató már párosítva/szinkronizálva vannak. Kapcsolja az állpántos fejhallgatót „ON” állásba (1. ábra, 1. számú kapcsolóval). Az állpántos fejhallgatón a LED (1. kép 2.) lassan KÉKEN villog. Csatlakoztassa a hálózati tápegységet a megfelelő aljzatba (5. ábra). Az adókészülék/töltőállomás előbb gyorsan (3. ábra 2.), majd lassabban villog és állandó KÉK marad a sikeres csatlakozásnál.

A fejhallgató hangerejét állítsa alacsonyra, mielőtt először felveszi. Ezután élvezheti is az analóg audio forrást (TV/HiFi vagy hasonló).

8.1.3.2 Az adó és vevő közötti csatlakozás/párosítás (töltőállomás az állpántos fejhallgatóhoz).

Ha a csatlakozás/párosítás az adó és a vevő között a kiszállítási állapotban nem adott (a töltőállomás mindkét LED-je és az állpánt folyamatosan villognak), manuális csatlakoztatás/párosítás szükséges.

- Ehhez csatlakoztassa a hálózati kábelt a töltőállomás aljzatába (4. ábra 3. aljzat/sárga).
- Győződjön meg róla, hogy az állpánt ki van kapcsolva (1. ábra 1. kapcsoló „OFF” állásban)
- Ezután kapcsolja be az állpántot (1. ábra 1. kapcsoló „ON” állásban).
- Nyomja meg a mikrofon/párosítás gombot (2. ábra 6. gomb) kb. 7 másodpercig. A LED gyorsan KÉKEN villogni kezd.

Hivatkozás

Ha a LED ZÖLDEN világít, akkor nem nyomta le a gombot elég hosszán. Ismétlje meg a folyamatot.

- Csatlakoztassa az adóállomás hálózati kábelét a töltőállomás aljzatába (4. ábra 3. aljzat/sárga) és nyomja meg a „PAIR” gombot (4. ábra, 4. gomb) kb. 1 másodpercig.
- Várjon néhány másodpercig (akár 15 másodpercig), míg az adó és a vevő szinkronizálása/párosítása megtörténik. A sikeres párosításnál mindkét LED állandóan KÉKEN világít.
- A 8.1.3.1 pontban leírtak szerint élvezheti az analóg audio forrást.

Hivatkozás

- Ügyeljen arra, hogy a rendszer automatikusan kikapcsol, ha az adó és az állpánt 2 percen belül nincsenek párosítva!
- Az adó átvitele automatikusan kikapcsol, ha az állpántos fejhallgatót csatlakoztatják az adó-/töltőállomáshoz (töltési folyamat). Az újbóli csatlakoztatáshoz az állpántos fülhallgatót le kell választani az állomásról, és a be-/kikapcsolót ki kell kapcsolni, ill. újra be kell kapcsolni (a párosítás ezután automatikusan végbemegy).

8.2 Vezeték nélküli csatlakozási lehetőségek (Bluetooth-on keresztül)

Lehetősége van arra, hogy a TV/HiFi/Soundbar vagy az okostelefon/táblagép Bluetooth technológia szükséges hozzá) és az állpántos fejhallgató között közvetlen Bluetooth kapcsolatot hozzon létre.

Itt csak a hívás elfogadásával vagy a hívás befejezésével történő telefonálás további funkciója lehetséges.

8.2.1.1 Első Bluetooth-kapcsolat (párosítás)

Tájékoztató: Párosítás

- Győződjön meg róla, hogy a Bluetooth-képes eszköz be van-e kapcsolva, és a Bluetooth aktívva van-e.
- Győződjön meg róla, hogy a Bluetooth-képes eszköz más Bluetooth-eszközök számára látható-e.
- Ehhez vegye figyelembe az eszköz használati útmutatóját.

Tájékoztató: Bluetooth-kapcsolat a tévékészülékkel/HiFi-vel/Soundbarral vagy okostelefonnal/táblagéppel

- Ügyeljen arra, hogy eszköze (TV/HiFi/Soundbar/ okostelefon) kompatibilis legyen a Bluetooth állpántos fejhallgatóval.
- Ellenőrizze, hogy a párosítást a hang/audió-menüen, vagy a kapcsolatok menüen kell-e végrehajtani. Ezáltal kizárt a kapcsolódás egyéb tartozékokkal (pl. billentyűzettel).
- Vegye ehhez figyelembe a tévékészüléke használati útmutatóját. Emellett fontos, hogy eszköze támogassa az egyes funkciókat (a Bluetooth-profilok támogatása szükséges).
- A fejhallgató és a végberendezés nem lehet 1 méternél nagyobb távolságra egymástól. Minél kisebb a távolság, annál jobb. Emellett fontos, hogy eszköze támogassa az egyes funkciókat (a Bluetooth-profilok támogatása szükséges).

- Győződjön meg arról, hogy a fejhallgató fel van töltve.
- Ügyeljen arra, hogy az adó-/vevőállomás le legyen választva a hálózatról (4. ábra 3. aljzat/sárga).
- Győződjön meg róla, hogy az állpánt ki van kapcsolva (1. ábra 1. kapcsoló „OFF” állásban)
- Ezután kapcsolja be ismét az állpántot (1. ábra 1. kapcsoló „ON” állásban).
- Nyomja meg a mikrofon/párosítás gombot (2. ábra 6. gomb) kb. 7 másodpercig. A LED elkezd gyorsan, KÉKEN villogni. A fejhallgató ekkor Bluetooth-kapcsolatot keres.

Hivatkozás

Ha a LED ZÖLDEN világít, akkor nem nyomta le a gombot elég hosszán. Ismétlje meg a folyamatot.

- Nyissa meg a Bluetooth-beállításokat az eszközén (pl. TV/ HiFi vagy okostelefon) az eszközök kereséséhez, és várjon, míg a listán megjelenik a „WHP6309BT” felirat.
- Válassza ki a „WHP6309BT”-t és várjon, míg a fejhallgató „csatlakozottként”(connected) jelenik meg eszköze Bluetooth-beállításaiában. A hallgató LED-je lassan zölden villog hanglejátszás közbeni szünetnél vagy folyamatosan kéken a lejátszásnál.
- Most már használhatja a fejhallgatót.
- Ügyeljen arra, hogy a Bluetooth-on párosított eszközöknél a hangerőt ezen szabályozza. Először csökkentse a készülék hangerejét (pl. a TV/okostelefon) a maximális hangerő 1/3-át (a halláskárosodás elkerülése érdekében), majd állítsa be az állapánt fülhallgatójának maximális hangerejét.

Megjegyzés – Bluetooth-jelszó

Egyes eszközök esetén jelszót kell megadni, amikor az eszközt egy másik Bluetooth-eszközhöz csatlakoztatjuk.

- A fejhallgató csatlakoztatásához írja be a 0000 jelszót, amikor az eszköz a jelszó megadására szólítja fel.

8.2.1.2 Automatikus Bluetooth-kapcsolat (sikeres párosítás követően)

Az állpántos fejhallgató, amikor be van kapcsolva (1. ábra 1. sz az „ON” állásban) automatikusan kapcsolódik a már csatlakoztatott/párosított eszközökkel.

8.3 Többpontos párosítás (vezetékes kapcsolat vezeték nélküli kapcsolattal (Bluetooth))

Ezenkívül a vezetékes kapcsolat mellett (pl. TV/HiFi) vezeték nélküli kapcsolatot is létesíthet az állpántos fejhallgatóval. Ennek eredményeként pl. a televíziózás mellett egyidejűleg lehetséges van az okostelefonnal beszélgetések (hívások) fogadására.

Hivatkozás

Ehhez a WHP6309BT vezeték nélküli fülhallgatórendszernek már aktív vezeték nélküli kapcsolattal (Bluetooth) kell rendelkeznie a 8.2 fejezetben leírtak szerint (pl. okostelefon).

- Ezután kapcsolja ki a vezeték nélküli kapcsolatot az eszközön (pl. az okostelefon Bluetooth-ját tegye „OFF” állásba)
- Húzza ki a tápkábelt a töltőállomás aljzatából (4. ábra 3./sárga)
- Győződjön meg róla, hogy az állpánt ki van kapcsolva (1. ábra 1. kapcsoló „OFF” állásban)
- Ezután kapcsolja be az állpántot (1. ábra 1. kapcsoló „ON” állásban).
- Nyomja meg a mikrofon/párosítás gombot az állpánton (2. ábra 6. gomb) kb. 7 másodpercig. A LED gyorsan KÉKEN villogni kezd.

Hivatkozás

Ha a LED ZÖLDEN világít, akkor nem nyomta le a gombot elég hosszán. Ismétlje meg a folyamatot.

- Csatlakoztassa az adóállomás hálózati kábelét ismét a töltőállomás aljzatába (4. ábra 3. aljzat/sárga) és nyomja meg 1x a „PAIR” gombot (4. gomb 4.) A töltőállomáson a LED gyorsan KÉKEN villog.
- Várjon néhány másodpercig (akár 15 másodpercig), míg az adó és a vevő szinkronizálása/párosítása megtörténik. A sikeres párosításnál mindkét LED állandóan KÉKEN világít.
- Ügyeljen arra, hogy a rendszer automatikusan kikapcsol, ha az adó és az állpánt 2 percen belül nincsenek párosítva! A legjobb, ha lejátssza az audio forrást (TV/HiFi), hogy a kapcsolat biztosan aktív legyen.
- Ezután aktiválja a Bluetooth-t az eszközön (pl. okostelefonon tegye a Bluetooth-t „Be” állásba), és válassza ki a **már összekapcsolt/párosított** „WHP6309BT” Bluetooth-kapcsolatot.
- Így mind a vezetékes csatlakozási változat, mind a vezeték nélküli Bluetooth-kapcsolat változata össze van kapcsolva (hasonló a többszörös csatlakoztatáshoz).
- Pl. televíziózás közben fogadhat telefonhívásokat.

8.4 Töltési folyamat 7. ábra.

Győződjön meg róla, hogy az állpánt a töltési folyamat előtt ki van kapcsolva (1. ábra 1. kapcsoló „OFF” állásban) Helyezze a fejhallgatót az adóállomásra és bizonyosodjon meg róla, hogy a töltőérintkezők érintik az adó töltőtűskéit. A

töltési folyamat automatikusan elindul. A LED jelzőfény lassan ZÖLDEN villog (1. kép 2. LED) töltés közben. Ha az akku teljesen feltöltődött, a LED folyamatosan ZÖLDEN világít. A teljes töltöttségi szintig a töltés ideje 2 óra.

Hivatkozás

Kérjük, hogy mindig kapcsolja ki a fejhallgatót amikor nem használja, az elemek károsodásának elkerülése érdekében. Első használat előtt teljesen töltse fel az elemeket. Egy háromórás kezdeti töltés szükséges, hogy szavatolva legyen az elemek elfogadható élettartama. Ügyeljen rá, hogy a töltési folyamat során az állpántos fejhallgató a ki legyen kapcsolva.

8.5 További funkciók

8.5.1.1 Mikrofon használat és hanglejtátszás közbeni szünet általában (2. kép 6. gomb) + LED (1. ábra 2. LED)

Lehetsége van beépített mikrofon segítségével akár hallgató üzemmód (TV/HiFi) alatt a mikrofont a környezet hangjának rögzítéséhez (pl. egy csengő vagy beszélgetések) átkapcsolni (átkapcsoláskor a LED zölden világít).

Hivatkozás

A halláskárosodás elkerülése érdekében vegye figyelembe a mikrofon nagyfokú érzékenységét!



A Lejátsszás/Szünet gomb segítségével bármikor szüneteltetheti az audio hangot (2. ábra 5.) Vegye figyelembe, hogy a hallgató LED-je ekkor lassan ZÖLDEN villog (lejátsszáskor folyamatosan KÉK).

8.5.1.2 A mikrofon használat a telefonhívásokhoz (Bluetooth okostelefonnal/táblagéppel) (2. ábra 5. gomb) + LED (1. ábra 2. LED)

Aktív vezeték nélküli Bluetooth-kapcsolatnál okostelefonnal/táblagéppel, a Lejátsszás/Szünet gomb használatával (2. kép 5. gomb) fogadhatja a hívásokat és a mikrofon keresztül beszélhet (ha az eszköz támogatja). A csengés alatt a LED zölden/kéken villog, a hívás alatt pedig kéken világít. Az épp lejátsszott audio hang a hívás végéig szünetel.

8.5.1.3 Balance-szabályozás (1. ábra, 4. szabályozó)

A szabályozó segítségével lehetősége van a jobb és bal oldali differenciált hallás kompenzálására.

8.5.1.4 Információ az akkumulátor állapotáról (állpántos fejhallgató)

Ha az állpánt akkumulátorának töltöttségi szintje alacsony, a LED (1. ábra 2. LED) lassan KÉKEN villog.

8.6 Hibakeresés

8.6.1 Nincs hang

- Ellenőrizze, hogy a hálózati adapter teljesen van-e dugva a dugaszoló aljzatba, és a másik végén megfelelően össze van-e kötve az adóegység hálózati adapterének bemeneti csatlakozójával.
- Bizonyosodjon meg róla, hogy úgy az adónál, mint a fejhallgató vevőjénél a be-/kikapcsoló gomb „ON” pozícióban van.
- Előfordulhat, hogy a fejhallgatóban lévő akkumulátor töltöttsége túl alacsony. Töltse fel az akkumulátort.
- Ellenőrizze, hogy a tévékészülék, a hifiberendezés vagy az egyéb audio-komponens be van-e kapcsolva, és be van-e állítva egy csatorna a hangátvitelhez.
- Előfordulhat, hogy a hangforrás kimeneti szintje (hangerő) túl alacsonyra van beállítva. Állítsa be megfelelően a hangerőt.
- Növelje a hangerőt a fejhallgatón lévő szabályzóval.
- A fülhallgatón lévő hang-szünet gomb aktíválva van (a kézi beszélő LED-je lassan ZÖLDEN villog)?
- Lehetséges, hogy a csatlakoztatott audio-/video készülék nincs lejátszás módban? Kérjük, kapcsolja be megfelelően.

9. Karbantartás és ápolás

Hivatkozás



Tisztítás előtt és hosszabb nemhasználat esetén válassza le a készüléket a hálózatról.

- Ha a mérleg felülete beszennyeződik, tisztítsa meg egy puha törülköhával. Ne használjon kémiai tisztítószereket, és bevezetett textilt, mert a víz befolyhat a mérleg belsejébe.
- Higiéniai okokból rendszeresen tisztítsa meg a fülpárnákat alkoholfmentes szerekkel.

7. Szavatosság kizárása

A Hama GmbH & Co KG semmilyen felelősséget vagy szavatosságot nem vállal a termék szakszerűtlen telepítéséből, szereléséből és szakszerűtlen használatából, vagy a kezelési útmutató és/vagy a biztonsági előírások be nem tartásából eredő károkért.

8. Szerviz és támogatás

Kérjük, hogy a termékkel kapcsolatos kérdéseivel forduljon a Hama terméktanácsadáshoz.

Közvetlen vonal Közvetlen vonal:

+49 9091 502-115 (Deu/Eng)

További támogatási információt itt talál: www.hama.com

9. Ártalmatlanítási előírások

Környezetvédelmi tudnivalók:



Az európai irányelvek 2012/19/EU és 2006/66/EU ajánlása szerint, a megjelölt időponttól kezdve, minden EU-s tagállamban érvényesek a következők:

Az elektromos és elektronikai készülékeket és az elemeket nem szabad a háztartási szemétkébe dobni! A leselejtezett elektromos és elektronikus készülékeket és elemeket, akkumulátorokat nem szabad a háztartási szemétkébe dobni. Az elhasznált és működésképtelen elektromos és elektronikus készülékek gyűjtésére törvényi előírás kötelez mindenkit, ezért azokat el kell szállítani egy kijelölt gyűjtő helyre vagy visszavinni a vásárlás helyére. A termék csomagolásán feltüntetett szimbólum egyértelmű jelzést ad erre vonatkozóan a felhasználónak. A régi készülékek begyűjtése, visszaváltása vagy bármilyen formában történő újra hasznosítása közös hozzájárulás környezetünk védelméhez.

10. Megfelelőségi nyilatkozat



Hama GmbH & Co KG igazolja, hogy a [00131991] típusú rádióberendezés megfelel a 2014/53/EU irányelvnek. Az EU-megfelelőségi nyilatkozat teljes szövege elérhető a következő internetes címen: www.hama.com -> 00131991 -> Downloads.

Děkujeme, že jste si vybrali výrobek Thomson. Přečtěte si, prosím, všechny následující pokyny a informace. Uchovejte tento text pro případné budoucí použití. Pokud výrobek prodáte, předejte tento text novému majiteli.

1. Vysvětlení výstražných symbolů a pokynů

Nebezpečí poranění elektrickým proudem

Tento symbol upozorňuje na nebezpečí při dotyku neizolovaných částí produktu, které by mohly vést k nebezpečnému napětí o takové síle, že hrozí nebezpečí poranění elektrickým proudem.

Upozornění

Tento symbol označuje bezpečnostní upozornění, které poukazuje na určitá rizika a nebezpečí.

Poznámka

Tento symbol označuje dodatečné informace nebo důležité poznámky.

2. Přehled

Přijímač/sluchátka – obr. 1

1. Zapínač/Vypínač
2. Signální LED dioda (provoz, stav Bluetooth nebo indikátor baterie)
3. Regulační hlasitosti (0 = nejnižší hlasitost, 10 = maximální hlasitost)
4. Regulační vyvážení (R = vpravo / L = vlevo)

Přijímač/sluchátka – obr. 2

5. Tlačítko pro přehrávání (Play) / pauzu / příjem hovoru / ukončení hovoru
6. Tlačítko pro mikrofon / Bluetooth párování (připojení)
7. Vestavěný mikrofon
8. Nabíjecí kontakty sluchátek
9. Levá strana sluchátek (šedá) s kulovým kloubem
10. Pravá strana sluchátek (červená) s kulovým kloubem

Nabíjecí stanice/vysílač – obr. 3

11. Nabíjecí kontakty vysílače
12. Signální LED dioda (provoz příp. stav Bluetooth)

Zadní strana nabíjecí stanice/vysílače – obr. 4


13. Připojka proudu/nabíjecího zdroje (napájecí zdroj 5,5 V – 550 mA)
14. Tlačítko „Pair“ pro spárování/připojení (nabíjecí stanice ke sluchátkům)
15. Připojka „Audio-In“ pro připojení analogového audia (jack 3,5 mm příp. pomocí cinch adaptéru)
16. Volič vstupů pro připojení audia

3. Obsah balení

- Sluchátka/přijímač s integrovaným lithium-polymerovým akumulátorem
- Vysílač/nabíjecí stanice
- Napájecí zdroj
- Kabel s adaptérem pro analogové audio (červený/bílý) – 2x cinch na spojku stereo jacku 3,5 mm
- Analogový audio kabel (spojka jack stereo 3,5 mm na obou koncích v modré barvě)
- Optický audio kabel (Toslink/ODT) v černé barvě
- 2 páry náušníků

4. Bezpečnostní pokyny

Upozornění

- Tento výrobek byl vyvinut speciálně pro osoby, u nichž je mimo jiné omezena jejich schopnost sluchu. Proto může vytvářet neobvykle vysoké hlasitosti.
- Osoby slyšící normálně, by měly před použitím tohoto výrobku snížit hlasitost připojeného reprodukcího zařízení na nejnižší úroveň!
- Tento přístroj přenáší signály na frekvenci 2400 MHz. Osoby s kardiostimulátory by se před zakoupením tohoto výrobku měly poradit se svým lékařem, protože provoz tohoto výrobku může ovlivnit funkci kardiostimulátorů.
- Vysoký akustický tlak!
- Nebezpečí poškození sluchu.
- Aby nedošlo k poškození sluchu, neposlouchejte zařízení dlouhou dobu při vysoké hlasitosti.
- Používání výrobku Vás omezuje při vnímání okolních zvuků. Během používání proto neovládejte vozidla nebo stroje.
- Hlasitost udržujte vždy na přiměřené úrovni. Vysoká hlasitost může – i při krátkém trvání – způsobit poškození sluchu. 

- Výrobek chraňte před znečištěním. Nepoužívejte ve vlhkém prostředí a zabraňte styku s vodou. Používejte pouze v suchých prostorách.
- Výrobek nepoužívejte v blízkosti zdrojů tepla, ani nevystavujte působení přímého slunečního záření.
- Tento produkt používejte pouze v mírných klimatických podmínkách.
- Výrobek nepatří do rukou dětem, stejně jako i všechny elektrické přístroje.
- Přístroj nepoužívejte mimo rozsah předepsaných hodnot v technických údajích.
- Výrobek nepoužívejte ve vlhkém prostředí a zabraňte styku s vodou.
- Nepokládejte na produkt nebo do jeho blízkosti žádné nádoby naplněné kapalinou, jako např. vázy s květinami. Nádoba se může převrhnout a kapalina může narušit elektrickou bezpečnost.
- Obalový materiál odložte mimo dosah dětí, hrozí riziko udušení.
- Akumulátor je pevně instalován a nelze jej vyjmout.

- Akumulátory a baterie nikdy neotvírejte, nepoškozujte, nepolykejte nebo nevyhazujte do okolí. Mohou obsahovat jedovaté těžké kovy škodící životnímu prostředí.
- Na akumulátorech/bateriích neprovádějte změny a/nebo je nedeformujte/nezahřívejte/nerozkládejte.
- Výrobek je určen pro použití v soukromých domácnostech.
- Výrobek používejte výhradně pro stanovený účel.
- Děti by měly být pod dozorem dospělé osoby, aby si s přístrojem nehrály.
- Výrobek nepoužívejte na místech, kde platí zákaz používání elektronických přístrojů.
- Všechny kabely pokládejte tak, aby neohrozilo nebezpečí zakopnutí.
- Kabel nelámejte a nestlačujte.
- Zabraňte pádu výrobku a výrobek nevystavujte velkým otřesům.
- Obalový materiál likvidujte ihned podle platných místních předpisů o likvidaci.
- Na výrobku neprovádějte žádné změny. Tím zanikají veškeré záručky ze záruky.

Nebezpečí poranění elektrickým proudem

- Výrobek neotvírejte a v případě poškození již dále nepoužívejte.
- Výrobek nepoužívejte, pokud je síťový adaptér, kabel adaptéru nebo síťová šňůra poškozena.
- Do výrobku nezasahujte a neopravujte ho. Veškeré úkony údržby přenechejte příslušnému odbornému personálu.

5. Úvod

Tato DIGITÁLNÍ BEZDRÁTOVÁ SLUCHÁTKA S PODBRADNÍKEM jsou vybavena nejmodernější bezdrátovou Bluetooth technologií a umožňují také starším lidem vychutnávat si při sledování televize a poslechu hudby doma čistý, křišťálově jasný zvuk. Zároveň také nabízí možnost současného připojení smartphonu nebo tabletu (vícebodový = s těmito sluchátky lze propojit dvě zařízení současně).

Propojte vysílač jednoduše s požadovaným zdrojem audia: DVD přehrávač, CD přehrávač, TV přijímač, Hi-Fi systémy, smartphone nebo tablet. Zcela bez komplikovaných kabelů a se snadnou instalací Plug/Pair & Play si můžete během několika minut užívat strhující a živý zvuk. Přitom nehraje žádnou roli jestli propojení vytvoříte prostřednictvím analogových přípojek (cinch nebo jack), digitálních přípojek (optika) nebo přímým bezdrátovým spojením (pomocí Bluetooth).

6. Obecná funkce

- Bezdrátová Bluetooth technologie 2,4 GHz
- Nabíjecí stanice s LED diodou
- Automatické vypnutí produktu při přímém připojení Bluetooth (když jsou sluchátka připojena k nabíjecí stanici)
- Vypínání zvuku pro příjem hovoru interním mikrofonem příp. automatické přepnutí na smartphone/tablet při násobném spárování/příjmu hovoru
- Rychlonabíjecí systém (úplné nabití sluchátek přibližně během 2 – 3 hodin)
- Individuální přizpůsobení regulace hlasitosti
- Regulace rovnováhy vlevo/vpravo

- Tlačítko pro přehrávání/pauzu příp. příjem hovoru na podbradníku pro funkci pozastavení zvuku nebo funkce smartphonu/tabletu
- Stavová LED dioda pro indikaci provozu/baterie nebo pro zobrazení stavu Bluetooth spojení/spárování
- Přepínač pro analogové nebo digitální připojení zdroje audia k vysílací/nabíjecí stanici
- 2 velikosti náušníků pro individuální přizpůsobení
- V režimu s připojeným smartphonem/tabletem: indikátor baterie sluchátek (závislý na funkci smartphone/tablet)

7. Technické údaje

Režim vysílání	Bezdrátová Bluetooth technologie 2,4 GHz
Nosný kmitočet	2,4 GHz
Provozní napětí vysílače	5 V, 550 mA
Provozní napětí přijímače	3,7 V, 380 mA lithium-polymerový akumulátor
Kmitočtový rozsah	20 Hz – 20 kHz
Zkreslení	< 1 %
Odstup šumu	> 70 dB
Dosah	10 m
Doba hovoru/hudby	Max. hlasitost: 5 h Střední hlasitost: 6 h Min. hlasitost: 8 h při plně nabitě baterii
Pohotovostní režim	250 h
Technologie Bluetooth	Bluetooth V4.1
Profil Bluetooth	HSP, HFP, A2DP, AVRCP, SPP
Baterie	Integrovaný lithium-polymerový akumulátor 3,7 V
Kapacita baterie	380 mA
Frekvenční pásmo/ Frekvenční pásma	2402 – 2480 MHz
Max. vyzářený výkon vysílače	4 dBm

8. Instalace vysílače – obr. 4 + 5 + 6

Upozornění

- Výrobek provozujte pouze připojený ke schválené zásuvce. Zásuvka se musí nacházet v blízkosti výrobku a být snadno přístupná.
- Výrobek odpojte od sítě pomocí spínače/vypínače – pokud tento není k dispozici, vytáhněte síťovou šňůru ze zásuvky.
- U vícenásobných zásuvek dbejte na to, aby připojené spotřebiče nepřekročily přípustnou celkovou spotřebu energie.
- Vypojte produkt ze sítě, pokud ho delší dobu nepoužíváte.

- Připojte napájecí zdroj k připojovací zdířce na zadní straně vysílače (obr. 5). Jako pomůcka slouží shoda barev (žlutá) na nabíjecí stanici. Připojení k elektrické přípojce proběhne později.

Nyní jsou k dispozici 3 možnosti připojení:

- A) Analogové audio připojení např. z TV/HiFi zařízení pomocí jacku 3,5 mm nebo cinch kabelu s adaptérem
 - B) Digitální optické připojení např. z TV / HiFi zařízení / soundbaru přes kabel Toslink
 - C) Přímé připojení Bluetooth z TV / HiFi zařízení / soundbaru přímo do sluchátek s podbradníkem
- Příslušné připojení provedte v závislosti na typu připojení.

8.1 Možnosti připojení kabelem

8.1.1 Analogové propojení audia pomocí přípojky jack nebo cinch (obr. 4 + 6)

- Jack kabel se často používá pro konektor sluchátek televizoru / HiFi. Zde připojte jeden konec jack kabelu do konektoru sluchátek televizoru a druhý konec do zdířky vysílače / nabíjecí stanice. Jako pomůcka slouží shoda barev (modrá) na nabíjecí stanici (zdířka č. 5 z obr. 4) .
- Cinch kabel se často používá pro externí audio výstupy např. ze set-top boxu / HiFi zařízení nebo TV pro poskytnutí přímého audio signálu (často je označen barevně bílými a červenými připojovacími zdířkami). Zde připojte jack kabel (modrý konektor) a cinch kabel s adaptérem (červený/bílý konektor): Zastrčte cinch konektor do příslušného audio výstupu (např. HiFi/STB nebo TV). Barvy platí jako pravé/levé označení. Příčemž červená vždy patří vpravo. Druhý konec (modrý jack konektor) spojte se zdířkou vysílače/nabíjecí stanice. Jako pomůcka slouží shoda barev (modrá) na nabíjecí stanici. (zdířka č. 5 z obr. 4) .

8.1.2 Digitální propojení audia pomocí kabelu Toslink/ODT:

Digitální optické propojení je kvalitativně nejlepší propojení pomocí kabelu, které zde lze vytvořit (žádné časové prodlevy mezi obrazem a zvukem). Odstraňte z obou konců kabelu ochranné krytky proti prachu a propojte ho na jedné straně s TV / HiFi / soundbarem a na druhé straně s vysílači/nabíjecí stanicí. Nezapomeňte na to, že konektory mají vodička! Jako pomůcka slouží shoda barev (černá) na nabíjecí stanici (zdířka č. 7 z obr. 4). U kabelového připojení (Bod 8.1.1 nebo 8.1.2) k vysílači/nabíjecí stanici nyní zvolte příslušný vstupní zdroj (spínač č. 6 z obr. 4).

8.1.3 Uvedení sluchátek s vysílačem/nabíjecí stanicí do provozu

Upozornění



- Pro nabíjení používejte pouze vhodné nabíječky.
- Vadné nabíječky obecně dále nepoužívejte a ani se je nepokoušejte opravovat.
- Výrobek nepřebíjejte ani ho zcela nevybíjejte.
- Vyhnete se skladování, nabíjení a používání při extrémních teplotách.
- V případě delšího skladování výrobek pravidelně dobíjejte (nejméně každého čtvrt roku).

Poznámka



V závislosti na typu televizoru dojde při použití 3,5mm sluchátkového vstupu televizoru ke ztlumení zvuku. Pokud je to nutné, musíte kromě jiného nastavit hlasitost sluchátek v menu televizního přístroje (pro použití systému bezdrátových sluchátek se doporučuje nastavit na přibližně 80% – 90% hlasitosti sluchátek). Nastavení reproduktorů televizoru často zůstává nedotčeno příp. se musí odpovídajícím způsobem upravit.



Poznámka



Před prvním použitím se ujistěte, zda je akumulátor zcela nabitý. Před prvním použitím nabíjejte akumulátor po dobu nejméně 3 hodin. Ujistěte se, že jsou sluchátka během nabíjení vypnutá a nejsou v provozu.

8.1.3.1 Aktivace a propojení spárovaných zařízení (vysílač/nabíjecí stanice do sluchátek s podbradníkem)

Ujistěte se, že při prvním uvedení do provozu nezůstávají sluchátka zastrčená v nabíjecí stanici!
Při dodání jsou jak vysílač/nabíjecí stanice, tak sluchátka s podbradníkem již spárovány/synchronizovány. Nyní přepněte sluchátka s podbradníkem na „ON“ (obr. 1 s vypínačem č. 1). LED dioda na sluchátkách s podbradníkem (obr. 1 č. 2) pomalu bliká MODŘE. Nyní zastrčte napájecí zdroj příslušné elektrické zásuvky (obr. 5). Vysílač/nabíjecí stanice bliká nejdříve rychle (obr. 3 LED dioda č. 2), pak pomaleji a v případě úspěšného připojení svítí trvale modře.
Před prvním nasazením sluchátek nastavte hlasitost nejdříve na nižší úroveň. Nyní si můžete vychutnávat vaše analogové zdroje (TV/HiFi nebo podobná zařízení).

8.1.3.2 Propojení/spárování mezi vysílačem a přijímačem (nabíjecí stanice do sluchátek s podbradníkem).

Pokud není propojení/spárování mezi vysílačem a přijímačem při dodání dostupné (obě LED diody na nabíjecí stanici a podbradníku nepřetržitě blikají), je nutné ruční propojení/spárování.
• Nejdříve zastrčte síťový kabel do zdířky v nabíjecí stanici (obr. 4 zdířka č. 3/žlutá).
• Ujistěte se, že je podbradník vypnutý (obr. 1 spínač č. 1 na „OFF“).
• Nyní zapněte podbradník (obr. 1 spínač č. 1 na „ON“).
• Stiskněte tlačítko mikrofon/spárování (obr. 2 tlačítko č. 6) po dobu cca 7 sekund. LED dioda začne rychle blikat MODŘE.

Poznámka



Pokud by LED dioda svítila ZELENĚ, pak jste nestiskli tlačítko dostatečně dlouho. Postup opakujte.

- Nyní zastrčte síťový kabel vysílače do zdířky na nabíjecí stanici (obr. 4 zdířka č. 3/žlutá) a stiskněte tlačítko „PAIR“ (obr. 4 tlačítko č. 4) po dobu cca 1 sekundy.
- Počkejte několik sekund (až 15 sekund) dokud nejsou vysílač a přijímač synchronizovány/spárovány. V případě úspěšného spárování svítí nyní obě LED diody trvale MODŘE.
- Nyní si můžete podobně jako v bodě 8.1.3.1 vychutnávat své analogové audio zdroje.

Poznámka



- Vezměte na vědomí, že systém se automaticky vypne, pokud nejsou vysílač a podbradník spárovány do 2 minut!
- Po zastrčení sluchátek s podbradníkem do vysílací/nabíjecí stanice (nabíjení) se přenos vysílače automaticky přeruší. Pro opětovné propojení se musí sluchátka s podbradníkem odpojit od stanice a vypnout příp. znovu zapnout vypínač (spárování nyní proběhne automaticky).

8.2 Možnosti bezdrátového připojení (pomocí Bluetooth)

Máte možnost provést přímé připojení přes Bluetooth mezi TV / HiFi / soundbarem nebo smartphonem/tabletem (pokud disponuje technologií Bluetooth) a sluchátky s podbradníkem. Zde je možná dodatečná funkce telefonování s přijetím nebo ukončením hovoru.

8.2.1.1 První navázání spojení přes Bluetooth (spárování)

Upozornění: Spárování



- Ujistěte se, že je koncové zařízení s Bluetooth zapnuté a Bluetooth je aktivováno.
- Ujistěte se, že je koncové zařízení s Bluetooth viditelné pro jiná zařízení Bluetooth.
- Respektujte pokyny uvedené v návodu k obsluze koncového zařízení.

Upozornění: Bluetooth propojení s televizním přístrojem / HiFi / soundbarem nebo smartphonem/tabletem



- Ujistěte se, že zařízení (TV / HiFi / soundbar / smartphone atd.) je kompatibilní s Bluetooth sluchátky s podbradníkem.
- Zkontrolujte, zda musí být párování provedeno pomocí nabídky zvuk/audio nebo pomocí nabídky pro propojení. Je tím vyloučeno spojení s jiným příslušenstvím, jako jsou např. klávesnice.
- Respektujte pokyny uvedené v návodech k obsluze televizoru. Navíc musí být jednotlivé funkce podporovány koncovým zařízením (musí být podporovány profily Bluetooth).
- Sluchátka a koncové zařízení by od sebe neměly být vzdáleny více než 1 metr. Čím menší vzdálenost, tím lépe. Navíc musí být jednotlivé funkce podporovány koncovým zařízením (musí být podporovány profily Bluetooth).
- Ujistěte se, že jsou sluchátka nabitá.
- Ujistěte se, že je vysílací/nabíjecí stanice nejdříve odpojena od sítě (obr. 4 zdířka č. 3/žlutá).
- Ujistěte se, že je podbradník vypnutý (obr. 1 spínač č. 1 na „OFF“).
- Nyní opět zapněte podbradník (obr. 1 spínač č. 1 na „ON“).
- Stiskněte tlačítko mikrofon/spárování (obr. 2 tlačítko č. 6) po dobu cca 7 sekund. LED dioda začne rychle blikat MODŘE. Sluchátka nyní vyhledávají spojení Bluetooth.

Poznámka



Pokud by LED dioda svítila ZELENĚ, pak jste nestiskli tlačítko dostatečně dlouho. Postup opakujte.

- Na koncovém přístroji (např. TV/HiFi nebo smartphonu) otevřete nastavení Bluetooth pro vyhledávání zařízení a počkejte dokud se na seznamu neobjeví „WHP6309BT“.
- Zvolte „WHP6309BT“ a vyčkejte, až se sluchátka s podbradníkem zobrazí jako „spojená“ (connected) v nastavení Bluetooth koncového zařízení. LED dioda na sluchátkách bliká během pauzy pomalu zeleně a při přehrávání svítí trvale modře.
- Nyní můžete sluchátka použít.
- Přesvědčte se, že ovládáte hlasitost u Bluetooth spárovaných zařízení přes tato zařízení! Nejdříve snižte hlasitost zařízení (např. TV/smartphonu) na 1/3 maximální hlasitosti (pro prevenci poškození sluchu) a poté nastavte maximální hlasitost sluchátek s podbradníkem.

Upozornění – heslo pro Bluetooth



Některá koncová zařízení vyžadují pro navázání spojení s jiným zařízením s Bluetooth heslo.

- Pro spojení se sluchátky zadejte heslo 0000, pokud vás k tomu vyzve koncové zařízení.

8.2.1.2 Automatické připojení Bluetooth (po již provedeném spárování)

Sluchátka s podbradníkem se při zapnutí spojí automaticky (obr. 1 spínač č. 1 na „ON“) s již připojenými/spárovanými přístroji.

8.3 Vícebodové spárování (kabelové připojení kombinované s bezdrátovým připojením (Bluetooth))

Doplňkově můžete vedle kabelového připojení (např. z TV/HiFi) vytvořit ke sluchátkům s podbradníkem také bezdrátové připojení. Díky tomu máte např. možnost kromě televize, současně přijímat hovory (volání) přes smartphone.

Poznámka



Systém bezdrátových sluchátek WHP6309BT by měl již mít aktivní bezdrátové připojení (Bluetooth), jak je popsáno v kapitole 8.2 (např. smartphone).

- Nyní vypněte na zařízení bezdrátové připojení (např. Bluetooth na smartphonu přepnuté na „vypnuto“)
- Vytáhněte síťový kabel ze zdířky na nabíjecí stanici (obr. 4 zdířka č. 3/žlutá)
- Ujistěte se, že je podbradník vypnutý (obr. 1 spínač č. 1 na „OFF“).
- Nyní zapněte podbradník (obr. 1 spínač č. 1 na „ON“).
- Stiskněte tlačítko mikrofon/spárování na podbradníku (obr. 2 tlačítko č. 6) po dobu cca 7 sekund. LED dioda začne rychle blikat MODŘE.

Poznámka



Pokud by LED dioda svítila ZELENĚ, pak jste nestiskli tlačítko dostatečně dlouho. Postup opakujte.

- Nyní zastrčte síťový kabel vysílače do zdířky na nabíjecí stanici (obr. 4 zdířka č. 3/žlutá) a 1× stiskněte tlačítko „PAIR“ (obr. 4 tlačítko č. 4). LED dioda na nabíjecí stanici bliká rychle MODŘE.

- Počkejte několik sekund (až 15 sekund) dokud nejsou vysílač a přijímač synchronizováni/spárováni. V případě úspěšného spárování svítí nyní obě LED diody trvale MODŘE.
- Vezměte na vědomí, že systém se automaticky vypne, pokud nejsou vysílač a podbradník spárovány do 2 minut! Nejlépe je nyní přehrát zdroj zvuku (TV/HiFi), abyste se ujistili, že je připojení aktivní.
- Aktivujte Bluetooth na zařízení (např. smartphone Bluetooth přepnout na „zapnuto“) a zvolte **již připojené/spárované** Bluetooth připojení „WHP6309BT“.
- Nyní jsou společně spárovány jak varianta kabelového připojení, tak bezdrátové Bluetooth připojení (podobně vícenásobnému spárování).
- Nyní lze např. při sledování televize přijímat také telefonické hovory.

8.4 Nabíjení, obr. 7

Ujistěte se, že je podbradník před nabíjením vypnutý (obr. 1 spínač č. 1 na „OFF“).

Umístěte sluchátka na vysílač stanici a přitom se ujistěte, že se nabíjecí kontakty dotýkají nabíjecích pinů vysílače. Nabíjení se spustí automaticky. Během nabíjení bliká LED dioda pomalu ZELENĚ (obr. 1 LED č. 2). Když je akumulátor plně nabitý, svítí LED dioda trvale ZELENĚ. Doba úplného nabití je cca 2 hodiny.

Poznámka

Aby nedošlo k poškození baterií, sluchátka vypínejte vždy, když je nepoužíváte. Před prvním použitím musí být baterie zcela nabitý. Tříhodinová inicializace je potřebná, aby byla zaručena přijatelná životnost baterií. Ujistěte se, že jsou sluchátka s podbradníkem během nabíjení vypnutá.



8.5 Další funkce

8.5.1.1 Obecné použití mikrofonu a pauza přehrávání (obr. 2 tlačítko č. 6) + LED dioda (obr. 1 LED č. 2)

Pomocí integrovaného mikrofonu máte možnost i během poslechu (TV/HiFi) připojit mikrofon k zaznamenání zvuku okolí (např. domovní zvonek nebo hovory (LED dioda svítí při zapnutí ZELENĚ)).

Poznámka

Vezměte na vědomí vysokou citlivost mikrofonu, aby nedošlo k poškození sluchu!



Pomocí tlačítka přehrávání/pauza máte možnost zvuk kdykoliv pozastavit (obr. 2 tlačítko č. 5). Vezměte na vědomí, že LED dioda přitom bliká pomalu ZELENĚ (při přehrávání svítí trvale MODŘE).

8.5.1.2 Použití mikrofonu pro telefonní hovory (Bluetooth se smartphone/tabletem) (obr. 2 tlačítko č. 5) + LED dioda (obr. 1 LED č. 2)

Během aktivního bezdrátového Bluetooth propojení se smartphone/tabletem můžete přijímat hovory pomocí tlačítka přehrávání/pauza (obr. 2 tlačítko č. 5) a komunikovat pomocí mikrofonu (pokud to koncové zařízení podporuje). Během

zvonění bliká LED dioda zeleně/modře a během hovoru svítí modře. Stávající přehrávání audia bude pozastaveno dokud hovor neskončí.

8.5.1.3 Regulace vyvážení (obr. 1 regulátor č. 4)

Pomocí regulátoru máte možnost vyvážit rozdílný poslech mezi pravým a levým kanálem.

8.5.1.4 Informace o stavu baterie (Sluchátka s podbradníkem)

V případě nízkého stavu baterie sluchátek s podbradníkem začne LED dioda (obr. 1 LED č. 2) pomalu blikat MODŘE.

8.6 Hledání chyb

8.6.1 Žádný zvuk

- Zkontrolujte, zda je napájecí zdroj zcela ve zdířce a na druhém konci správně připojen ke vstupní zdířce zdroje vysílače.
- Ujistěte se, že je na vysílači a také na sluchátkách tlačítko vypínače v poloze „ON“.
- Stav nabití baterie ve sluchátkách by mohl mít příliš nízké zbytkové napětí. Nabíjte baterii.
- Zkontrolujte, zda je televize, HiFi zařízení nebo audio komponenta zapnutá a zda je nastavený kanál pro přenos audio signálu.
- Výstupní úroveň (hlasitost) u zdroje audio je popř. nastavena příliš nízkou. Nastavte vhodnou hlasitost.
- Regulátorem na sluchátkách zvýšte hlasitost.
- Je aktivováno tlačítko přehrávání–pauza na sluchátkách (LED dioda na sluchátkách bliká pomalu ZELENĚ)?
- Je možné, že se připojené zařízení audio/video nenachází v režimu přehrávání? Zapněte příslušný režim.

9. Údržba a čištění

Poznámka

Před čištěním a v případě delšího nepoužívání přístroj vždy odpojte od síte.



- Zařízení čistěte jemným navlhčeným hadříkem, který nepouští žmolky. Při čištění nepoužívejte agresivní čisticí prostředky.
- Z hygienických důvodů pravidelně čistěte náušníky prostředky bez obsahu alkoholu.

7. Vyloučení záruky

Hama GmbH & Co KG nepřebírá žádnou odpovědnost nebo záruku za škody vzniklé neodbornou instalací, montáží nebo neodborným použitím výrobku nebo nedodržováním návodu k použití a/nebo bezpečnostních pokynů.

8. Servis a podpora

Máte otázky k produktu? Obratěte na poradenské oddělení Hama.

Horká linka: +49 9091 502-115 (německy/anglicky)

Další podpůrné informace naleznete na adrese:

www.hama.com

9. Pokyny k likvidaci

Ochrana životního prostředí:



Evropská směrnice 2012/19/EU a 2006/66/EU ustanovujete následující: Elektrická a elektronická zařízení stejně jako baterie nepatří do domovního odpadu.

Spotřebitel se zavazuje odevzdat všechna zařízení a baterie po uplynutí jejich životnosti do příslušných sběrů. Podrobnosti stanoví zákon příslušné země. Symbol na produktu, návod k obsluze nebo balení na toto poukazuje. Recyklací a jinými způsoby zužitkování přispíváte k ochraně životního prostředí.

10. Prohlášení o shodě



Tímto Hama GmbH & Co KG prohlašuje, že typ rádiového zařízení [00131991] je v souladu se směrnicí 2014/53/EU. Úplné znění EU prohlášení o shodě je k dispozici na této internetové adrese: www.hama.com ->00131991 ->Downloads.

Ďakujeme, že ste sa rozhodli pre výrobok Thomson. Prečítajte si všetky nasledujúce pokyny a informácie. Uchovajte tento návod na použitie pre prípadné budúce použitie. Pokiaľ výrobok predáte, dajte tento návod novému majiteľovi.

1. Vysvetlenie výstražných symbolov a upozornení

Nebezpečenstvo elektrického úderu



Tento symbol upozorňuje na nebezpečenstvo dotyku neizolovaných častí výrobku, ktoré sú eventuálne pod tak vysokým nebezpečným napätím, že hrozí nebezpečenstvo elektrického úderu.

Upozornenie



Tento symbol označuje bezpečnostné upozornenie, ktoré poukazuje na určité riziká a nebezpečenstva.

Poznámka



Tento symbol označuje dodatočné informácie, alebo dôležité poznámky.

2. Prehľad

Prijímač/slúchadlá – obr. 1

1. Zapínač/vypínač
2. Indikácia signálu LED (prevádzka, stav Bluetooth alebo indikácia batérie)
3. Regulátor hlasitosti (0 = minimálna hlasitosť, 10 = maximálna hlasitosť)
4. Regulátor vyváženia (R = vpravo/L = vľavo)

Prijímač/slúchadlá – obr. 2

5. Tlačidlo na prehrávanie (Play)/Pauza/Prijatie hovoru/Ukončenie hovoru
6. Tlačidlo Mikrofón/Párovanie Bluetooth (spojenie)
7. Vstavaný mikrofón
8. Nabíjacie kontakty slúchadiel
9. Ľavá strana slúchadiel (šedá farba) s guľovým kĺbom
10. Pravá strana slúchadiel (červená farba) s guľovým kĺbom

Nabíjacia stanica/vysielač – obr. 3

11. Nabíjacie kontakty vysielača
12. Indikácia signálu LED (prevádzka, resp. stav Bluetooth)

Zadná strana nabíjacej stanice/vysielača – obr. 4

13. Prúd/napájací zdroj – prípojka (napájací zdroj 5,5 V – 550 mA)
14. Tlačidlo párovania „Pair“ na párovanie/spojenie (nabíjacia stanica so slúchadlami)
15. Prípojka „Audio-In“ na analógové zvukové pripojenie (3,5 mm koncovka Jack, resp. prostredníctvom adaptéra Cinch)
16. Prepínač na výber vstupu zvukového pripojenia

3. Obsah balenia

- Slúchadlá/prijímač s integrovaným lítium-polymérovým akumulátorom
- Vysielač/nabíjacia stanica
- Zástrčkový napájací zdroj

- Analógový zvukový adaptérový kábel (červená/biela farba) – 2x Cinch na 3,5 mm stereo pripojenie Jack
- Audio kábel (3,5 mm stereo jack zástrčka na oboch koncoch v modrej farbe)
- Optický audio svetlovodivý kábel (Toslink/ODT) v čiernej farbe
- 2 páry ušných mušlí

4. Bezpečnostné upozornenia

Upozornenie



- Tento výrobok bol vyvinutý špeciálne pre osoby s obmedzenou sluchovou schopnosťou. Preto je schopné generovať mimoriadne vysoké hlasitosti.
- Osoby s normálnym sluchom by pre tento výrobok pred použitím mali nastaviť hlasitosť pripojeného reprodukčného zariadenia na najnižšiu úroveň!
- Toto zariadenie prenáša signály prostredníctvom frekvencie 2400 MHz. Nositelia kardiostimulátorov by sa pred zakúpením tohto výrobku mali poradiť s lekárom, pretože sa pri prevádzke tohto výrobku môže obmedziť funkcia kardiostimulátorov.
- Vysoký akustický tlak!
- Hrozí riziko poškodenia sluchu.
- Aby nedošlo k poškodeniu sluchu, nepočúvajte zariadenie dlhú dobu pri vysokej hlasitosti.
- Pri používaní výrobku je obmedzené vnímanie hlukov okolia. Počas jeho používania preto neobsluhujte žiadne vozidlá alebo stroje.
- Udržiavajte hlasitosť vždy na rozumnej úrovni. Nadmerné hlasitosti môžu – aj pri krátkom pôsobení – spôsobiť poškodenie sluchu.



- Výrobok chráňte pred znečistením. Nepoužívajte vo vlhkom prostredí a zabráňte styku s vodou. Používajte iba v suchých priestoroch.
- Výrobok nepoužívajte v blízkosti zdrojov tepla, ani nevystavujte pôsobeniu priameho slnečného žiarenia.
- Výrobok používajte len v miernych klimatických podmienkach.
- Výrobok nepatrí do rúk deťom, rovnako ako všetky elektrické prístroje.
- Prístroj nepoužívajte mimo rozsahu predpísaných hodnôt v technických údajoch.
- Výrobok nepoužívajte vo vlhkom prostredí a zabráňte styku s vodou.
- Nádoby naplnené tekutinou, napr. vázu na kvety, nikdy neukladajte na výrobok alebo do jeho blízkosti. Nádoba sa môže prevrátiť a tekutina môže ohroziť elektrickú bezpečnosť.
- Obalový materiál odložte mimo dosahu detí, hrozí riziko udusenía.
- Akumulátor je pevne nainštalovaný a nedá sa vybrať.
- Akumulátory a batérie nikdy neotvárajte, zabráňte ich poškodeniu, prehltnutiu alebo uniknutiu do životného prostredia. Môžu obsahovať jedovaté ťažké kovy, škodlivé pre životné prostredie.
- Akumulátory/batérie nemodifikujte a/alebo nedeformujte/ nezahrievajte/nerozoberajte.

- Výrobok je určený pre súkromné použitie v domácnosti, nie je určený na komerčné použitie.
- Výrobok používajte výlučne na stanovený účel.
- Na deti by sa malo dohliadať, aby sa zabezpečilo, že si nebudú s výrobkom hrať.
- Nepoužívajte výrobok v prostredí, v ktorom nie je používanie elektronických prístrojov dovolené.
- Všetky káble umiestnite tak, aby nevzniklo nebezpečenstvo potknutia.
- Dbajte na to, aby kábel nebol zalomený alebo privretý.
- Výrobok nenechajte spadnúť a nevystavujte ho silným otrasom.
- Likvidujte obalový materiál okmžite podľa platných miestnych predpisov na likvidáciu odpadov.
- Na zariadení/prístroji nerobte žiadne zmeny. Má to za následok stratu akýchkoľvek nárokov na plnenie zo záruky.

Nebezpečenstvo elektrického úderu



- Výrobok neotvárajte a v prípade poškodenia ho ďalej nepoužívajte.
- Výrobok nepoužívajte, ak je sieťový adaptér, kábel adaptéru alebo sieťový kábel poškodený.
- Do výrobku nezasahujte a neopravujte ho. Akékoľvek úkony údržby prenechajte príslušnému odbornému personálu.

5. Úvod

Tieto DIGITÁLNE BEZDRÔTOVÉ SLÚCHADLÁ S BRADOVÝM OB-
LÚKOM pracujú s najnovšou technológiou Bluetooth a umož-
ňujú aj starším ľuďom vychutnať si krištáľovo čistý zvuk pri
sledovaní televízie a počúvaní hudby doma. Zároveň ponúkajú
aj možnosť súčasne pripojiť smartfón alebo tablet (Multipoint
= súčasné spojenie dvoch zariadení s týmito slúchadlami).
Spojte vysieláč jednoducho s požadovaným zdrojom zvuku:
DVD prehrávač, CD prehrávač, TV prijímač, Hi-Fi systém,
smartfón alebo tablet. Úplne bez komplikovanej kabeľáže
a vďaka jednoduchšej inštalácii Plug/Pair & Play si môžete
minútovou rýchlosťou užívať uchvacujúci, živý zvuk. Pritom nie
je podstatné, či na pripojenie používate analógové prípojky
(Cinch alebo Jack), digitálne prípojky (opticky) alebo vytvoríte
priame bezdrôtové pripojenie (prostredníctvom Bluetooth).

6. Všeobecná funkcia

- 2,4 GHz bezdrôtová technológia Bluetooth
- Nabíjacia stanica s ukazovateľom LED
- Automatické vypnutie produktu pri priamom pripojení Bluetooth (keď sa slúchadlo zasunie do nabíjacej stanice)
- Vypnutie zvuku na príjem hovoru cez interný mikrofón, resp. automatické prepnutie na smartfón/tablet pri multipairing/ prijatí hovoru
- Systém rýchleho nabíjania (úplné nabitie slúchadiel v priebehu cca 2 – 3 hodín)
- Regulácia hlasitosti za účelom individuálneho prispôsobenia
- Regulácia vyváženia vľavo/vpravo
- Tlačidlo Prehrávanie/Pauza, resp. Prijatie hovoru na bradovom oblúku používané na pauzu zvuku, resp. funkciu smartfónu/tabletu
- LED indikácia stavu na zobrazenie prevádzky/stavu batérie, resp. na zobrazenie stavu spojenia Bluetooth

- Prepínač na analógové alebo digitálne spojenie zvukového zdroja s vysielacou/nabíjacou stanicou
- Ušné mušle v 2 veľkostiach na individuálne prispôsobenie
- V stave spojenia so smartfónom/tabletom: Indikácia akumulátora slúchadiel (závislá od funkcie smartfónu/tabletu)

7. Technické údaje

Vysielací režim	bezdrôtová technológia Bluetooth
Prenosová frekvencia	2,4 GHz
Prevádzkové napätie vysielача	5 V, 550 mA
Prevádzkové napätie prijímača	3,7 V, 380 mA lítium-polymérový akumulátor
Frekvenčný rozsah	20 Hz – 20 kHz
Skreslenie	< 1 %
Odstup šumu	> 70 dB
Dosah	10 m
Čas hovoru/hudba	Max. hlasitosť: 5 h Stredná hlasitosť: 6 h Min. hlasitosť: 8 h pri plne nabitom akumulátore
Pohotovostný režim	250 h
Technológia Bluetooth	Bluetooth V4.1
Profil Bluetooth	HSP, HFP, A2DP, AVRCP, SPP
Akumulátor	Integrovaný lítium-polymérový akumulátor 3,7 V
Kapacita akumulátora	380 mA
Frekvenčné pásmo/ Frekvenčné pásma	2402 – 2480 MHz
Vyžarovaný maximálny vysielací výkon	4 dBm

8. Inštalácia vysielача Obr. 4 + 5 + 6

Upozornenie



- Výrobok používajte pripojený iba k schválenej zásuvke. Zásuvka sa musí nachádzať v blízkosti výrobku a musí byť ľahko prístupná.
- Výrobok odpojte od siete pomocou spínača/vypínača - ak nie je k dispozícii, vytiahnite sieťový kábel zo zásuvky.
- V prípade viacnásobných zásuviek dávajte pozor na to, aby pripojené spotrebiče neprekročili celkový dovolený príkon.
- Ak výrobok dlhšiu dobu nepoužívate, odpojte ho od elektrickej siete.

- Spojte napájací zdroj s pripojovacou zdierkou na zadnej strane vysieláča (obr. 5). Ako pomôcka slúži farebné značenie (žltá farba) na nabijacej stanici. Pripojenie ku elektrickej prípojke sa vykoná neskôr.

K dispozícií sú 3 možnosti pripojenia:

- A) Analógové zvukové spojenie s napr. televíznym prijímačom/súpravou HiFi prostredníctvom 3,5 mm kábla s koncovkou Jack alebo adaptérového kábla Cinch.
 - B) Optické digitálne spojenie s televíznym prijímačom/súpravou HiFi/zariadením Soundbar prostredníctvom kábla Toslink
 - C) Priame spojenie Bluetooth televízneho prijímača/súpravy HiFi/zariadenia Soundbar so slúchadlami s bradovým oblúkom
- Podľa typu prípojky je potrebné vykonať príslušné pripojenia.

8.1 Možnosti pripojenia prostredníctvom kábla

8.1.1 Analógové zvukové spojenie pomocou prípojky Jack alebo Cinch (obr. 4 + 6)

- Audio kábel s koncovkou Jack sa často používa na pripojenie slúchadiel z televízneho prijímaču/súprave HiFi. Pritom spájate jeden koniec kábla Jack s prípojkou na slúchadlá televízneho prijímača a druhý koniec tohto kábla so zdierkou vysieláča/nabijacej stanice. Ako pomôcka slúži farebné značenie (modrá farba) na nabijacej stanici (zdierka č. 5 z obr. 4).
- Kábel Cinch sa používa často na prepojenie externých zvukových výstupov zariadení, ako napr. SET-TOP-BOX/HiFi alebo televíznych prijímačov, čo poskytuje možnosť priameho zvukového signálu (pripojovacie zdierky sú často značené bielou a červenou farbou). Pritom spojte kábel Jack (modrý konektor) a adaptérový kábel Cinch (červený/biely konektor): Konektor Cinch zasuňte do príslušnej zdierky v súlade so zdrojom zvukového výstupu (napr. súprava HiFi/STB alebo televízny prijímač). Ľavá/pravá strana je označená farebne. Červená farba označuje vždy pravú stranu. Druhú stranu (konektor Jack modrej farby) zasuňte do zdierky vysieláča/nabijacej stanice. Ako pomôcka slúži farebné značenie (modrá farba) na nabijacej stanici. (Zdierka č. 5 z obr. 4).

8.1.2 Digitálne zvukové pripojenie pomocou kábla Toslink/ODT:

Digitálne optické zvukové pripojenie je kvalitatívne najlepšie káblové pripojenie (bez časových oneskorení medzi obrazom a zvukom), aké je tu možné vytvoriť. Na oboch stranách kábla odnímate čiapočky na ochranu pred prachom a pripojte kábel na jednej strane ku televízemu prijímaču/súprave HiFi/zariadeniu Soundbar a na druhej strane k vysielacej/nabijacej stanici. Prihliadajte na to, že koncovky majú vodiace drážky! Ako pomôcka slúži farebné značenie (čierna farba) na nabijacej stanici (zdierka č. 7 z obr. 4). Pri káblovom spojení (bod 8.1.1 alebo 8.1.2) s vysielateľom/nabijacou stanicou vyberte teraz v súlade s týmto váš vstupný zdroj (spínač č. 6 z obr. 4).

8.1.3 Uvedenie slúchadiel s vysielateľom/nabijacou stanicou do prevádzky

Upozornenie



- Na nabíjanie používajte iba vhodné nabíjačky.
- Poškodené nabíjačky všeobecne ďalej nepoužívajte, ani sa ich nepokúšajte opraviť.
- Zabráňte prebitiu alebo úplnému vybitiu výrobu.
- Vyhýbajte sa skladovaniu, nabíjaniu a používaniu pri extrémnych teplotách.
- Pri dlhšom uskladnení zariadenie pravidelne dobíjajte (min. štvrtročne).

Poznámka



V závislosti od televízneho prijímača sa pri použití zvukovej koncovky Jack 3,5 mm slúchadli v televíznom prijímači vypne zvuk – prípadne bude potrebné okrem iného v ponuke televízneho prijímača prispôbiť hlasitosť slúchadiel (odporúčanie v prípade použitia systému bezdrôtových slúchadiel je v tomto prípade nastaviť cca 80 % – 90 % hlasitosti slúchadiel). Nastavenie hlasitosti reproduktorov televízneho prijímača zostane často nepozmenené, resp. je potrebné ho príslušne prispôbiť



Poznámka



Pred prvým použitím zaistite, aby bol akumulátor kompletne nabitý. Pred prvým použitím nabite, prosím, akumulátor najmenej na 3 hodiny. Zaistite, aby slúchadlá boli počas nabíjania vypnuté a nepoužívali sa.

8.1.3.1 Aktivácia a pripojenie spojených zariadení (vysielateľ/nabijacia stanica ku slúchadlám s bradovým oblúkom)

Dbajte na to, aby pri prvom uvedení do prevádzky neboli slúchadlá zasunutá v nabíjacej stanici! Pri dodávke sú vysielateľ/nabijacia stanica, ako aj slúchadlá už spojené/zosynchronizované. Slúchadlá s bradovým oblúkom teraz prepnite do polohy „ON“ (obr. 1 so spínačom č. 1). LED na slúchadlách s bradovým oblúkom (obr. 1, č. 2) bliká pomaly MODRO. Napájací zdroj teraz zasuňte do na toto určenej sieťovej zásuvky (obr. 5). Vysielateľ/nabijacia stanica najskôr rýchlo bliká (obr. 3 LED č. 2), potom bliká pomalšie a v prípade úspešného spojenia zostane konštantne svietiť MODRO. Pred prvým nasadením slúchadiel nastavte ich hlasitosť nízku úroveň. Teraz si môžete vychutnať hudbu z vášho zvukového zdroja (televízny prijímač/súprava HiFi alebo pod.).

8.1.3.2 Spojenie/párovanie medzi vysielateľom a prijímačom (nabijacia stanica pre slúchadlá s bradovým oblúkom).

- V prípade, že pri dodávke nie sú vysielateľ a prijímač spojené/spárované (LED na nabíjacej stanici a slúchadlách blikajú trvalo), je nutné vykonať manuálne spojenie/párovanie.
- Na tento účel zasuňte najskôr sieťový kábel do zdierky na nabíjacej stanici (obr. 4, zdierka č. 3 žltá farba).

- Uistite sa, že bradový oblúk je vypnutý (obr. 1, prepínač č. 1 v polohe „OFF“).
- Bradový oblúk teraz zapnite (obr. 1, prepínač č. 1 do polohy „ON“).
- Stlačte tlačidlo mikrofónu/párovania (obr. 2, tlačidlo č. 6) na približne 7 sekúnd. LED začne rýchlo blikať NAMODRO.

Poznámka

Ak LED svieti NAZELENO, znamená to, že ste tlačidlo nedržali dostatočne dlho stlačené. Postup zopakujte.

- Sieťový kábel vysielačnej stanice zastrčte do zdiekaj stanice (obr. 4, zdiečka č. 3/žltá farba) a stlačte tlačidlo párovania – „PAIR“ (obr. 4, tlačidlo č. 4) a držte stlačené približne 1 sekundu.
- Počkajte niekoľko sekúnd (až do 15 sekúnd), kým sa vysielač a prijímač zosynchronizujú/spoja. V prípade úspešného spojenia svietia obidve LED teraz konštantne NAMODRO.
- Môžete vychutnávať zvuk z vášho analógového zvukového zdroja tak, ako je to opísané v bode 8.1.3.1.

Poznámka

- Dbajte na to, že systém sa automaticky vypne, keď sa vysielač a bradový oblúk nespoja v rámci 2 minút!
- Prenos vysielača sa automaticky vypne, keď sa slúchadlá s bradovým oblúkom zasunú do vysielačnej/nabíjacej stanice (nabíjanie). Na opätovné spojenie je potrebné odpojiť slúchadlá s bradovým oblúkom zo stanice a zapínač/vypínač musí byť vypnutý, resp. opätovne zapnutý (spojenie teraz prebehne automaticky).

8.2 Možnosti bezdrôtového pripojenia (prostredníctvom Bluetooth)

Máte možnosť vytvoriť priame spojenie Bluetooth medzi televíznym prijímačom/súpravou HiFi alebo smartfónom/tabletom (predpokladá sa technológia Bluetooth) a slúchadlami s bradovým oblúkom.

Pri tomto je možná dodatočná funkcia telefonovania s prijatím alebo ukončením hovoru.

8.2.1.1 Prvé spojenie Bluetooth (párovanie)

Upozornenie: Párovanie

- Uistite sa, že je vaše koncové zariadenie s funkciou Bluetooth zapnuté a že je funkcia Bluetooth aktivovaná.
- Uistite sa, že je vaše koncové zariadenie s funkciou Bluetooth viditeľné pre ostatné zariadenia Bluetooth.
- Postupujte pritom podľa návodu na použitie vášho koncového zariadenia.

Upozornenie: Spojenie Bluetooth s televíznym prijímačom/súpravou HiFi/zariadením Soundbar alebo smartfónom/tabletom

- Uistite sa, že je vaše zariadenie (televízny prijímač/súprava HiFi/zariadenie Soundbar/smartfón atď.) kompatibilné so slúchadlami.
- Skontrolujte, či musíte vykonať párovanie pomocou ponuky zvuk/audio alebo pomocou ponuky spojenia. Tým sa vylúči spojenie s ostatným príslušenstvom, ako napr. klávesnicami.
- Postupujte pritom podľa návodu na obsluhu vášho televízora. Okrem toho musí vaše koncové zariadenie podporovať jednotlivé funkcie (musí podporovať profily Bluetooth).
- Vzdialenosť medzi slúchadlami a koncovým zariadením nesmie presiahnuť 1 meter. Čím je vzdialenosť medzi zariadeniami menšia, tým je spojenie lepšie. Okrem toho musí vaše koncové zariadenie podporovať jednotlivé funkcie (musí podporovať profily Bluetooth).

- Ubezpečte sa, či sú slúchadlá nabité.
- Uistite sa, že vysielač/nabíjacia stanica je najskôr odpojená od siete (obr. 4, zdiečka č. 3/žltá farba).
- Uistite sa, že bradový oblúk je vypnutý (obr. 1, prepínač č. 1 v polohe „OFF“).
- Bradový oblúk teraz znovu zapnite (obr. 1, prepínač č. 1 do polohy „ON“).
- Stlačte tlačidlo mikrofónu/párovania (obr. 2, tlačidlo č. 6) na približne 7 sekúnd. LED začne rýchlo blikať NAMODRO. Slúchadlá teraz vyhľadávajú spojenie Bluetooth.

Poznámka

Ak LED svieti NAZELENO, znamená to, že ste tlačidlo nedržali dostatočne dlho stlačené. Postup zopakujte.

- Na vašom koncovom zariadení (napr. televízny prijímač/súprava HiFi alebo smartfón) otvorte nastavenia Bluetooth na vyhľadanie zariadení a počkajte, kým sa v zozname nezobrazí „WHP6309BT“.
- Zvoľte „WHP6309BT“ a čakajte, kým sa slúchadlá zobrazia v nastaveniach Bluetooth vášho koncového zariadenia ako „Spojené“ (spárované). Indikátor LED na slúchadle pomaly bliká nazeleno v prípade zvukovej pauzy alebo konštantne svieti namodro pri prehrávaní.
- Teraz môžete slúchadlá používať.
- Dbajte na to, aby ste v prípade spárovania so zariadeniami Bluetooth ovládali hlasitosť prostredníctvom týchto zariadení! Najskôr znížte hlasitosť zariadenia (napr. televízneho prijímača/smartfónu) na 1/3 maximálnej hlasitosti (zabránenie poškodeniu sluchu), aby ste potom mohli nastaviť maximálnu hlasitosť na slúchadlách s bradovým oblúkom.

Upozornenie – heslo Bluetooth

Niektoré koncové zariadenia vyžadujú pri párovaní s iným zariadením s funkciou Bluetooth heslo.

- Keď vás vaše koncové zariadenie vyzve na zadanie hesla kvôli spojeniu so slúchadlami, zadajte heslo 0000.

8.2.1.2 Automatické spojenie Bluetooth (po už vykonanom párovaní)

Slúchadlá sa automaticky spoja pri zapnutí (obr. 1, prepínač č. 1 do polohy „ON“) s už spojenými/spárovanými zariadeniami.

8.3 Párovanie Multipoint (káblové pripojenie kombinované s bezdrôtovým pripojením Bluetooth)

Popri káblvom spojení (napr. s televíznym prijímačom/súpravou HiFi) môžete dodatočne vytvoriť aj ešte jedno bezdrôtové spojenie so slúchadlami s bradovým oblúkom. Takto máte napr. možnosť popri televíznom prijímači prijímať tiež hovory (volanie) prostredníctvom smartfónu.

Poznámka

Na tento účel je potrebné, aby bol bezdrôtový slúchadlový systém WHP6309BT už spojený pomocou jedného aktívneho bezdrôtového spojenia (Bluetooth) podľa kapitoly 8.2 (napr. so smartfónom).

- Bezdrôtové pripojenie na zariadení teraz vypnite (napr. Bluetooth na smartfóne nastavte na „VYPNUTÉ“)
- Sieťový kábel vytiahnite von z diery na nabíjacej stanici (obr. 4, č. 3 /žltá farba)
- Uistite sa, že bradový oblúk je vypnutý (obr. 1, prepínač č. 1 v polohe „OFF“).
- Bradový oblúk teraz zapnite (obr. 1, prepínač č. 1 do polohy „ON“).
- Stlačte tlačidlo mikrofónu/párovania na bradovom oblúku (obr. 2, tlačidlo č. 6) na približne 7 sekúnd. LED začne rýchlo blikať NAMODRO.

Poznámka

Ak LED svieti NAZELENO, znamená to, že ste tlačidlo nedržali dostatočne dlho stlačené. Postup zopakujte.

- Sieťový kábel vysielačkej stanice teraz opäť zastrčte do zdierky nabíjacej stanice (obr. 4, zdierka č. 3/žltá farba) a stlačte 1x tlačidlo párovania – „PAIR“ (obr. 4, tlačidlo č. 4). LED na nabíjacej stanici blikať rýchlo NAMODRO.
- Počkajte niekoľko sekúnd (až do 15 sekúnd), kým sa vysielač a prijímač zosynchronizujú/spoja. V prípade úspešného spojenia svetlia obidve LED teraz konštantne NAMODRO.
- Dbajte na to, že systém sa automaticky vypne, keď sa vysielač a bradový oblúk nespoja v rámci 2 minút! Najlepšie bude, ak teraz budete prehrávať zo zvukového zdroja (televízny prijímač/súprava HiFi), aby ste sa ubezpečili, že spojenie je aktívne.
- Teraz aktivujte Bluetooth na zariadení (napr. na smartfóne prepnete na „ZAPNUTÉ“) a vyberte už spojené/spárované spojenie Bluetooth „WHP6309BT“.
- Teraz sú spolu spojené ako káblvová možnosť pripojenia, tak aj bezdrôtová možnosť pripojenia Bluetooth (podobné Multipairing).
- Pri sledovaní televízneho prijímača je teraz možné aj prijímať telefonáty.

8.4 Nabíjanie obr. 7

Uistite sa, že slúchadlá sú pred nabíjaním vypnuté (obr. 1, prepínač č. 1 v polohe „OFF“). Umiestnite slúchadlá na vysielačkej stanici a zaistite, aby sa nabíjacie kontakty dotýkali nabíjajúcich kolíkov na vysielači. Nabíjanie sa spustí automaticky. LED pri nabíjaní pomaly blikať NAZELENO (obr. 1 LED č. 2). Ak je akumulátor úplne nabitý, svieti LED trvalo NAZELENO. Doba nabíjania na úplné nabitie je približne 2 hodiny.

Poznámka

Aby sa predišlo poškodeniu batérií, vypnite slúchadlá vždy vtedy, keď ich nepoužívate. Pred prvým použitím musia byť batérie úplne nabité. Trojhodinové počiatočné nabíjanie je potrebné na zaručenie prijateľnej životnosti batérií. Skontrolujte, či sú slúchadlá počas nabíjania vypnuté.

8.5 Ďalšie funkcie

8.5.1.1 Používanie mikrofónu a zvuková pauza všeobecne (obr. 2, tlačidlo č. 6) + LED (obr. 1, LED č. 2)

Máte možnosť prostredníctvom integrovaného mikrofónu aj počas počúvania (televízneho prijímača/súpravy HiFi) zapnúť mikrofón na nahrávanie zvukového záznamu okolia (napr. zvonček dverí alebo hovory) (LED pri pripojení svieti NAZELENO).

Poznámka

Pritom dbajte na vysokú citlivosť mikrofónu, aby sa zabránilo poškodeniu sluchu!



Pomocou tlačidla Play/Pause (prehratie/pauza) máte možnosť zvuk kedykoľvek pozastaviť (obr. 2, tlačidlo č. 5). Dbajte pri tomto na to, že LED na slúchadlách v tomto prípade pomaly blikať NAZELENO (pri prehrávaní konštantne svieti NAMODRO).

8.5.1.2 Použite mikrofónu na telefonické rozhovory (Bluetooth so smartfónom/tabletom) (obr. 2, tlačidlo č. 5) + LED (obr. 1, LED č. 2)

Pri aktívnom bezdrôtovom spojení Bluetooth so smartfónom/tabletom môžete pomocou tlačidla Prehrávanie/Pauza (Play/Pause) (obr. 2, tlačidlo č. 5) prijímať hovory a prostredníctvom mikrofónu rozprávať (ak je koncovým zariadením podporovaný). V takomto prípade LED počas zvonenia blikať nazeleno/namodro a počas hovoru svieti konštantne namodro. Prebiehajúce prehrávanie zvuku sa pri tomto pozastaví, kým sa neukončí hovor.

8.5.1.3 Regulácia výváženia (obr. 1, regulátor č. 4)

Prostredníctvom regulátora máte možnosť vyrovnáť rozdielne počúvanie medzi pravou a ľavou stranou.

8.5.1.4 Informácia o stave akumulátora (slúchadlá s bradovým oblúkom)

Ak je stav batérie bradového oblúka nízky, začne LED (obr. 1, LED č. 2) pomaly blikať NAMODRO.

8.6 Hľadanie chýb

8.6.1 Žiadny zvuk

- Skontrolujte, či je zástrčkový napájací zdroj úplne zasunutý do zásuvky a na druhom konci správne spojený so vstupnou zdierkou vysielača pre napájací zdroj.
- Zaisťte, aby sa tlačidlo zapnutia/vypnutia nielen na vysielači, ale aj na slúchadlách nachádzalo v polohe „ON“.
- Akumulátor v slúchadlách by mohol mať príliš nízke zvyškové nabitie. Nabite akumulátor.
- Skontrolujte, či je zapnutý TV prijímač, HiFi systém alebo zvukový komponent a či je nastavený kanál na prenos zvukového signálu.
- Výstupná hladina (hlasitosť) zvukového zdroja by mohla byť nastavená príliš nízko. Nastavte vhodnú hlasitosť.
- Zvýšte hlasitosť pomocou regulátora na slúchadlách.
- Je tlačidlo zvuku/pauzy na slúchadlách aktivované (LED na slúchadlách bliká pomaly NAZELENO)?
- Pripojené audio/video zariadenie sa prípadne nenachádza v prehrávacom režime? Príslušne ho zapnite.

9. Údržba a starostlivosť

Poznámka



Pred čistením a pri dlhšom nepoužívaní odpojte zariadenie bezpodmienečne od siete.

- Zariadenie čistíte jemnou navlhčenou handričkou, ktorá nezanecháva žmolky. Pri čistení nepoužívajte agresívne čistiace prostriedky.
- Z hygienických dôvodov pravidelne čistite ušné mušle prostriedkami neobsahujúcimi alkohol.

7. Vylúčenie záruky

Firma Hama GmbH & Co KG neručí/nezodpovedá za škody vyplývajúce z neodbornej inštalácie, montáže alebo neodborného používania výrobku alebo z nerešpektovania návodu na používanie a/alebo bezpečnostných pokynov.

8. Servis a podpora

S otázkami týkajúcimi sa výrobku sa prosím obráťte na poradenské oddelenie firmy Hama.

Hotline: +49 9091 502-115 (nem./angl.)

Ďalšie informácie o podpore nájdete tu: www.hama.com

9. Pokyny pre likvidáciu

Ochrana životného prostredia:



Európska smernica 2012/19/EU a 2006/66/EU stanovuje: Elektrické a elektronické zariadenia, rovnako ako batérie sa nesmú vyhadzovať do domáceho odpadu. Spotrebiteľ je zo zákona povinný zlikvidovať elektrické a elektronické zariadenia, rovnako ako batérie na miesta k tomu určené. Symbolizuje to obrázok v návode na použitie, alebo na balení výrobku. Opätovným zužitkovaním alebo inou formou recyklácie starých zariadení/batérií prispievate k ochrane životného prostredia.

10. Vyhlásenie o zhode

CE Hama GmbH & Co KG týmto vyhlasuje, že rádiové zariadenie typu [00131991] je v súlade so smernicou 2014/53/EU. Úplné EÚ vyhlásenie o zhode je k dispozícii na tejto internetovej adrese: www.hama.com -> 00131991 -> Downloads.

Tack för att du valt att köpa en Thomson produkt. Ta dig tid och läs först igenom de följande anvisningarna och hänvisningarna helt och hållet. Förvara sedan den här bruksanvisningen på en säker plats för att kunna titta i den när det behövs. Om du gör dig av med apparaten ska du lämna bruksanvisningen till den nya ägaren.

1. Förklaring av varningssymboler och hänvisningar

Fara för elektrisk stöt

Denna symbol hänvisar till fara vid beröring av oisolerade produktdelar som kan ha en så pass hög spänning att det finns risk för elektrisk stöt.

Varning

Används för att markera säkerhetsanvisningar eller för att rikta uppmärksamheten mot speciella faror och risker.

Hänvisning

Används för att markera ytterligare information eller viktiga hänvisningar.

2. Översikt

Mottagare/hörlurar – bild 1

1. Strömbrytare
2. LED-signalindikering (drift, Bluetooth-status eller batterinivå)
3. Volymreglage (0 = lägsta volym, 10 = högsta volym)
4. Balansreglage (H = höger/V = vänster)

Mottagare/hörlurar – bild 2

5. Knapp för uppspelning (Play)/Paus/Svara/Lägga på
6. Knapp för mikrofon/Bluetooth-parkoppling (koppling)
7. Inbyggd mikrofon
8. Laddningskontakter för hörlurar
9. Vänster hörlurssida (grå) med kulle
10. Höger hörlurssida (röd) med kulle

Laddningsstation/sändare – bild 3

11. Laddningskontakter sändare
12. LED-signalindikering (drift eller Bluetooth-status)

Laddningsstation/sändare baksida – bild 4

13. Ström/nätadapter - anslutning (nätadapter med 5,5 V – 550 mA)
14. "Pair"-knapp för parkoppling/koppling (laddningsstation för hörlurar)
15. "Audio-In"-anslutning för analog ljudanslutning (3,5 mm telejack eller via cinch-adapter)
16. Ingångsväljare för ljudanslutning

3. Förpackningens innehåll

- Hörlurar/mottagare med inbyggd litiumpolymerbatteri
- Sändare/laddningsstation
- Strömkontakt
- Analog ljud-adapterkabel (röd/vit) – 2x cinch på 3,5 mm stereo-telejackkoppling

- Analog ljudkabel (3,5 mm stereo-telejack på båda ändarna i blått)
- Optisk ljud-ljusledarkabel (Toslink/ODT) i svart
- 2 par öronkuddar

4. Säkerhetsanvisningar

Varning

- Den här produkten är särskilt utvecklad för personer med nedsatt hörsel. Den kan generera mycket hög volym.
- Personer med normal hörsel måste ställa in den ansluta spelaren på längsta volym innan den här produkten används!
- Från den här enheten överförs signaler med en frekvens på 2 400 MHz. Personer med pacemaker bör rådgöra med en läkare innan den här produkten köps eftersom den kan påverka pacemakers funktion.
- Högt ljudtryck!
- Det finns risk för hörselskador.
- Utsätt inte öronen för höga ljudnivåer under en längre tid så att inte hörseln tar skada.
- När produkten används hör du inte ljud i omgivningen lika bra som annars. Kör därför inga fordon eller maskiner under användningen.
- Håll alltid volymen på en förnuftig nivå. Höga volymer – även under kort period – kan leda till hörselskador. 

- Skydda produkten mot smuts, fukt och överhettning och använd den bara i inomhusmiljöer.
- Använd inte produkten alldeles intill elementet, andra värmekällor eller i direkt solsen.
- Använd endast produkten vid måttliga klimatförhållanden.
- Precis som alla elektriska apparater ska även denna förvaras utom räckhåll för barn!
- Använd inte produkten utöver de effektgränser som anges i den tekniska datan.
- Använd inte produkten i en fuktig omgivning och undvik stänkvatten.
- Ställ inga vätskefyllda behållare, som t.ex. blomvaser, på eller i närheten av produkten. Behållaren kan välta och vätskan kan påverka den elektriska säkerheten.
- Det är viktigt att barn hålls borta från förpackningsmaterial-et. Det finns risk för kvävning.
- Det uppladdningsbara batteriet är fast monterat och kan inte tas bort.
- Öppna, skada och svälj aldrig uppladdningsbara batterier och vanliga batterier och släng dem inte i naturen. De kan innehålla giftiga tungmetaller som är skadliga för miljön.
- Förändra och/eller deformera inte uppladdningsbara/vanliga batterier och varm inte upp dem eller plocka isär dem.
- Produkten är avsedd för privat hemanvändning, inte yrkesmässig användning.
- Använd bara produkten till det som den är avsedd för.
- Barn ska hållas under uppsikt för att säkerställa att de inte leker med apparaten.

- Använd inte produkten inom områden där elektroniska apparater inte är tillåtna.
- Dra alla kablar så att det inte går att snubbla på dem.
- Böj och kläm inte kabeln.
- Tappa inte produkten och utsätt den inte för kraftiga vibrationer.
- Kassera förpackningsmaterialet direkt enligt lokalt gällande kasseringsregler.
- Förändra ingenting på produkten. Då förlorar du alla garantianspråk.

Fara för elektrisk stöt



- Öppna inte produkten och använd den inte mer om den är skadad.
- Använd inte produkten när AC-adaptorn, adapterkabeln eller elsladden är skadade.
- Försök inte serva eller reparera produkten själv. Överlåt allt servicearbete till ansvarig fackpersonal.

5. Inledning

Dessa DIGITALA TRÅDLÖSA HAKBYGELSHÖRLURAR fungerar med modern trådlös Bluetooth-teknik och gör det möjligt för äldre att höra bra när de tittar på tv eller lyssnar på musik. Dessutom har man möjlighet att samtidigt ansluta en smartphone eller surfplatta (multipoint: två enheter kan anslutas samtidigt till de här hörlurarna).

Anslut bara sändaren till önskad ljudkälla: DVD-spelare, CD-spelare, tv, stereo, smartphone eller surfplatta. Lyssna på medryckande och levande ljuduppspelningar på bara några minuter utan komplicerade kabelanslutningar och med mycket enkel Plug/Pair & Play-installation. Det spelar ingen roll om du väljer att ansluta via analoga anslutningar (cinch eller telejack), digitala anslutningar (optiska) eller via en trådlös anslutning (via Bluetooth).

6. Allmän funktion

- 2,4 GHz trådlös Bluetooth-teknik
- Laddningsstation med LED-indikering
- Automatisk avstängning av produkten vid direktanslutning av Bluetooth (såvida hörluren stoppas in i laddningsstationen)
- Mute för samtal med den interna mikrofonen eller automatisk omkoppling till smartphone-enheten/surfplattan vid multiparkoppling/accepterat samtal
- Snabbbladdningssystem (ca 2–3 timmar tills hörlurarna är fullständigt laddade)
- Reglering av volymen för personlig anpassning
- Balansreglering vänster/höger
- Uppspelnings-/paus-knapp eller svarsknapp på hakbygeln för ljudpaus eller smartphone-/surfplattefunktion
- LED-statusindikering för drifts-/batteri-indikering eller för statusindikering för Bluetooth-anslutning/koppling
- Omkopplare för ljudkällans analoga eller digitala anslutning till sändaren/laddningsstationen
- Två storlekar på öronkuddar för personlig anpassning
- I anslutet smartphone-/surfplatte-tillstånd: Batteriindikering för hörlurarna (beroende på smartphone-/surfplattefunktionen)

7. Tekniska data

Sändarläge	trådlös Bluetooth-teknik
Bärfrekvens	2,4 GHz
Driftspänning sändare	5 V, 550 mA
Driftspänning mottagare	3,7 V, 380 mAh via litiumpolymerbatteri
Frekvensområde	20 Hz – 20 kHz
Distorsion	< 1 %
Signal-stör-förhållande	> 70 dB
Räckvidd	10 m
Taltid/musik	Max. volym: 5 h Mellanhög volym: 6 h Min. volym: 8 h vid fullt laddat batteri
Standby	250 h
Bluetooth-teknik	Bluetooth V4.1
Bluetooth-profil	HSP, HFP, A2DP, AVRCP, SPP
Uppladdningsbart batteri	Inbyggt litiumjonbatteri 3,7 V
Batterikapacitet	380 mA
Frekvensintervall/ frekvensintervaller	2 402 – 2 480 MHz
Max. utstrålad sändareffekt	4 dBm

8. Installation av sändare bild 4 + 5 + 6

Varning



- Använd bara produkten när den är ansluten till ett godkänt eluttag. Eluttaget måste sitta i närheten av produkten och vara lätt att nå.
- Skilj produkten från elnätet med hjälp av strömbrytaren – om den saknas drar du ut elsladden ur uttaget.
- Om grenuttag används, var noga med att de anslutna förbrukarna inte överskrider tillåten total effektförbrukning.
- Koppla bort produkten från elnätet om den inte ska användas under en längre tid.
- Anslut nätadaptorn till uttaget på sändarens baksida (bild 5). Syttet med den överensstämmande färgen (gult) på laddningsstationen är att den ska vara till hjälp. Strömmen ansluts i ett senare skede.

Man kan nu välja mellan tre olika anslutningsalternativ:

- Analog ljudanslutning för t.ex. tv/stereo via 3,5 mm jack- eller cinch-adapterkabel
- Optisk digital anslutning för t.ex. tv/stereo/soundbar via Toslinkkabel

C) Direkt Bluetooth-anslutning för tv/stereo/soundbar direkt till hakbygghörlurar
Anslut på lämpligt sätt beroende på anslutnings sättet.

8.1 Trådade anslutningsalternativ

8.1.1 Analog ljudanslutning med hjälp av telejack- eller cinch-anslutning (bild 4 + 6)

- Telejackkabeln används ofta för hörlursanslutningar till tv/stereo. Du ansluter i så fall telejackkabelns ena ände till tv-apparatens hörlursanslutning och den andra änden till sändarens/laddningsstationens uttag. Syftet med den överensstämmande färgen (blått) på laddningsstationen är att den ska vara till hjälp (uttag nr 5 från bild 4).
- Cinchkabeln används ofta för externa ljudutgångar för t.ex. SET-TOP-BOX/stereo eller tv för att skapa en direkt ljudsignal (ofta färgmarkerad med vita och röda anslutningsuttag). Anslut telejackkabeln (blå kontakt) och cinch-adapterkabeln (röd/vit kontakt): Stick in cinch-kontakten enligt ljudutgångskällan (t.ex. stereo/STB eller tv). Som höger/vänster-markering gäller färgerna, varvid rött alltid betyder höger. Anslut den andra änden (blå jackkontakt) till sändarens/laddningsstationens uttag. Syftet med den överensstämmande färgen (blått) på laddningsstationen är att den ska vara till hjälp. (uttag nr 5 från bild 4).

8.1.2 Digital ljudanslutning med Toslink/ODT-kabel:

Den digitala optiska ljudanslutningen är den kvalitetsmässigt bästa trådade anslutningen (ingen tidsfördröjning mellan bild och ljud) som du kan upprätta. Lossa kabelns dammskyddsskåpor på båda sidorna och anslut dessa dels till tv/stereo/soundbar och dels till sändaren/laddningsstationen. Observera att kontakten har ledning! Syftet med den överensstämmande färgen (svart) på laddningsstationen är att den ska vara till hjälp (uttag nr 7 från bild 4).

Välj nu trådad anslutning (punkt 8.1.1 eller 8.1.2) för sändaren/laddningsstationen enligt ingångskällan (omkopplare nr 6 från bild 4).

8.1.3 Idrifttagning av hörlurar med sändare/laddningsstation

Varning



- Använd endast lämpliga laddare för laddningen.
- Använd inte defekta laddare och försök inte laga dem.
- Överladda eller djupurladda inte produkten.
- Undvik lagring, laddning och användning vid extrema temperaturer.
- Ladda batteriet regelbundet vid längre tids lagring (minst en gång i kvartalet).

Hänvisning



Beroende på tv-apparat kopplas tv-apparaten om till tyst läge när man använder 3,5 mm ljud-hörlursanslutningen – ev. behöver du bl.a. anpassa hörlursvolymen i menyen på tv-apparaten (den rekommenderade nivån för ett trådlöst hörlursystem är en inställning på ca 80–90 % av hörlursvolymen). För det mesta ändras inte tv-apparatens högtalarinställning, men den kan behöva anpassas.



Hänvisning



Ladda batteriet helt innan du använder enheten första gången. Ladda batteriet i minst 3 timmar innan enheten används första gången. Kontrollera att hörlurarna är avstängda när de laddas.

8.1.3.1 Aktivera och ansluta kopplade enheter (sändare/laddningsstation för hakbygghörlurar)

Kontrollera att hörlurarna inte sitter i laddningsstationen när du ska använda dem för första gången!

Vid leveransen är både sändaren/laddningsstationen samt hakbygghörlurarna redan anslutna/synkroniserade. Ställ nu hakbygghörlurarna på "ON" (bild 1 med omkopplare nr 1). Lysdioden på hakbygghörlurarna (bild 1 nr 2) blinkar långsamt BLÅTT. Sätt nu in nätadaptern i det avsedda strömuttaget (bild 5). Sändaren/laddningsstationen blinkar först snabbt (bild 3 lysdiod nr 2), sedan långsammare och lyser sedan BLÅTT med fast sken när anslutningen är upprättad.

Börja med att ställa in hörlurarnas volym på låg volym innan du sätter på dig dem för första gången. Nu kan du lyssna på din analoga ljudkälla (tv/stereo eller liknande).

8.1.3.2 Anslutning/parkoppling mellan sändare och mottagare (laddningsstation till hakbygghörlurar).

Om anslutningen/parkopplingen mellan sändaren och mottagaren inte har gjorts vid leveransen (de båda lysdioderna på laddningsstationen och hakbygghörluren blinkar kontinuerligt), behöver man ansluta/parkoppla manuellt.

- Börja med att stoppa in nätkabeln i uttaget på laddningsstationen (bild 4 uttag nr 3 /gult).
- Säkerställ att hakbygghörluren är avstängd (bild 1 omkopplare nr 1 på "OFF").
- Koppla nu på hakbygghörluren (bild 1 omkopplare nr 1 på "ON").
- Håll mikrofon-/parkopplingsknappen (bild 2 knapp nr 6) intryckt i cirka sju sekunder. Lysdioden börjar blinka snabbt med BLÅTT sken.

Hänvisning



Om lysdioden lyser GRÖNT har knappen inte varit intryckt tillräckligt länge. Försök igen.

- Sätt nu tillbaka sändarstationens nätadapter i laddningsstationens uttag (bild 4 uttag nr 3/gult) och tryck på knappen "PAIR" (bild 4 knapp nr 4) i cirka en sekund.
- Vänta ett par sekunder (upp till 15 sekunder) tills sändare och mottagare har synkroniserats/anslutits. När anslutningen är klar lyser de båda lysdioderna BLÅTT med fast sken.

- Enligt beskrivningen under punkt 8.1.3.1 kan du nu lyssna på din analoga ljudkälla.

Hänvisning



- Tänk på att systemet stänger av sig av sig självt om sändare och hakbygel inte är anslutna/ansluts inom loppet av två minuter!
- Överföringen till sändaren stängs av automatiskt när hakbygels-hörlurarna sitter i sändar-/laddningsstationen (laddningsförlöpp). När man vill återansluta måste hakbygels-hörlurarna kopplas bort från stationen och strömbrytaren stängas av resp. slås på igen (anslutningen sker nu automatiskt).

8.2 Trådlöst anslutningsalternativ (via Bluetooth)

Som alternativ kan du genomföra en direkt Bluetooth-anslutning mellan tv/stereo/soundbar eller smartphone/surfplatta (Bluetooth-teknik krävs) och hakbygels-hörlurar.

I det här fallet kan man endast använda sig de extra samtalsfunktionerna med besvara samtal och avsluta samtal.

8.2.1.1 Bluetooth första anslutning (parkoppling)

Information: Parkoppling



- Kontrollera att den Bluetooth-kompatibla slutapparaten är påslagen och att Bluetooth är aktiverat.
- Kontrollera att den Bluetooth-kompatibla enheten är synlig för andra Bluetooth-enheter.
- Se bruksanvisningen för enheten.

Information: Bluetooth-anslutning med tv-apparat/stereo/soundbar eller smartphone/surfplatta



- Säkerställ att enheten (tv/stereo/soundbar/smartphone o.s.v.) är kompatibel med Bluetooth-hakbygels-hörlurarna.
- Kontrollera om parkopplingen måste utföras via ljud/audio-menyn eller via anslutningsmenyn. Därmed utesluts en anslutning av annat tillbehör som t.ex. tangentbord.
- Se bruksanvisningen till din tv. Dessutom måste slutapparaten stödja de enskilda funktionerna (Bluetooth-profiler måste stödjas).
- Hörlurarna och slutapparaten bör inte befinna sig längre än 1 meter från varandra. Ju mindre avstånd desto bättre. Dessutom måste slutapparaten stödja de enskilda funktionerna (Bluetooth-profiler måste stödjas).
- Se till att hörlurarna är laddade.
- Säkerställ till att börja med att sändar-/laddningsstationen inte är kopplad till elnätet (bild 4 uttag nr 3 /gult).
- Säkerställ att hakbygeln är avstängd (bild 1 omkopplare nr 1 på "OFF").
- Koppla nu på hakbygeln igen (bild 1 omkopplare nr 1 på "ON").
- Håll mikrofon-/parkopplingsknappen (bild 2 knapp nr 6) intryckt i cirka sju sekunder. Lysdioden börjar blinka snabbt med BLÅTT sken. Hörlurarna söker nu efter en Bluetooth-förbindelse.

Hänvisning



Om lysdioden lyser GRÖNT har knappen inte varit intryckt tillräckligt länge. Försök igen.

- Öppna nu Bluetooth-inställningarna på din enhet (t.ex. tv/ stereo eller smartphone) för att söka efter enheter och vänta tills "WHP6309BT" visas i listan.
- Välj "WHP6309BT" och vänta tills det står att hakbygels-hörlurarna är "Anslutna" (connected) i din enhets Bluetooth-inställningar. Lysdioden på hörlurarna blinkar långsamt med grönt sken vid en ljudpaus eller med fast blått sken vid uppspelning.
- Du kan nu använda hörlurarna.
- Tänk på att volymen styrs via de Bluetooth-anslutna enheterna! Börja med att sänka enhetens volym (t.ex. tv/smartphone) till 1/3 av maxvolymen (förhindrar hörselskador) och ställ sedan in maxvolymen för hakbygels-hörlurarna.

Information – Bluetooth-lösenord



Vissa slutapparater kräver ett lösenord för att upprätta anslutningen till en annan Bluetooth-enhet.

- Ange lösenordet 0000 för anslutningen till hörlurarna när du uppmanas att ange information om din enhet.

8.2.1.2 Automatisk Bluetooth-anslutning (efter genomförd parkoppling)

När hakbygels-hörlurarna startas (bild 1 omkopplare nr 1 på "ON") ansluts de automatiskt till redan anslutna/parkopplade enheter.

8.3 Multipoint-parkoppling (trådad anslutning i kombination med trådlös anslutning (Bluetooth))

Förutom den trådade anslutningen (t.ex. för tv/stereo) kan man även upprätta en trådlös anslutning till hakbygels-hörlurarna. Med det här alternativet kan du t.ex. förutom att titta på tv även samtidigt svara på samtal via din smartphone.

Hänvisning



I det här fallet krävs det att det trådlösa hörlurssystemet WHP6309BT redan har en aktiv trådlös anslutning (Bluetooth) enligt kapitel 8.2 (t.ex. smartphone).

- Stäng nu av enhetens trådlösa anslutning (t.ex. Bluetooth på smartphonen på "AV").
- Dra ut nätadaptern ur uttaget vid laddningsstationen (bild 4 uttag nr 3/gult).
- Säkerställ att hakbygeln är avstängd (bild 1 omkopplare nr 1 på "OFF").
- Koppla nu på hakbygeln (bild 1 omkopplare nr 1 på "ON").
- Håll mikrofon-/parkopplingsknappen intryckt på hakbygeln (bild 2 knapp nr 6) intryckt i cirka sju sekunder. Lysdioden börjar blinka snabbt med BLÅTT sken.

Hänvisning



Om lysdioden lyser GRÖNT har knappen inte varit intryckt tillräckligt länge. Försök igen.

- Sätt nu tillbaka sändarstationens nätkabel i laddningsstationens uttag (bild 4 uttag nr 3/gult) och tryck 1 x på knappen "PAIR" (bild 4 knapp nr 4). Lysdioden på laddningsstationen blinkar snabbt med BLÅTT sken.
- Vänta ett par sekunder (upp till 15 sekunder) tills sändare och mottagare har synkroniserats/anslutits. När anslutningen är klar lyser de båda lysdioderna BLÅTT med fast sken.
- Tänk på att systemet stänger av sig av sig självt om sändare och hakbygel inte är anslutna/ansluts inom loppet av två minuter! Prova gärna att spela upp ljudkällan (tv/stereo) för att vara säker på att anslutningen är aktiv.
- Aktivera nu Bluetooth på enheten (t.ex. Smartphone Bluetooth på "På") och välj den **redan anslutna/parkopplade** Bluetooth-anslutningen "WHP6309BT".
- Nu är både den trådade anslutningsvarianten och den trådlösa Bluetooth-anslutningsvarianten sammankopplade (liknande multiparkoppling).
- När man t.ex. tittar på tv kan man även svara på telefonsamtal.

8.4 Laddningsförlopp bild. 7

Säkerställ att hakbygeln är avstängd före laddningen (bild 1 omkopplare nr 1 på "OFF").

Placera hörlurarna i sändarstationen och kontrollera att laddningskontaktarna berör laddningsstiften. Laddningen startar automatiskt. LED-indikeringen blinkar långsamt GRÖNT (bild 1 LED nr 2) under laddningen. När batteriet är fullständigt laddat lyser lysdioden med fast GRÖNT sken. Laddningstiden fram till fullständig laddning ligger på ca två timmar.

Hänvisning

Stäng alltid av hörlurarna när de inte används så att batterierna inte skadas. Ladda batterierna helt innan du använder enheten första gången. Ladda batteriet i minst tre timmar innan enheten används. Batterierna håller då längre. Kontrollera att hakbygelhörlurarna är avstängda när batterierna laddas.



8.5 Ytterligare funktioner

8.5.1.1 Allmänt om mikrofonanvändning och ljudpaus (bild 2 knapp nr 6) + LED (bild 1 LED nr 2)

Med hjälp av en inbyggd mikrofon har du möjlighet att, även medan hörlurarna används, (tv/stereo) slå på mikrofonen för att spela in ljud från omgivningen (t.ex. ringklockan eller samtal) (lysdiolen lyser med GRÖNT sken vid tillkopplingen).

Hänvisning

Observera i syfte att förhindra hörselskador emellertid att mikrofonen är mycket känslig!



Med hjälp av uppspelnings-/paus-knappen kan du dessutom när som helst pausa ljudet (bild 2 knapp nr 5). I det här fallet blinkar lysdioden på hörlurarna långsamt med GRÖNT sken (vid uppspelning fast BLÅTT sken).

8.5.1.2 Mikrofonanvändning för telefonsamtal (Bluetooth med smartphone/surfplatta) (bild 2 knapp nr 5) + lysdiod (bild 1 LED nr 2)

Om du har en aktiv trådlös Bluetooth-anslutning för en smartphone/surfplatta kan du svara på samtal och använda mikrofonen (såvida enheten har stöd för detta) med hjälp av uppspelnings-/paus-knappen (bild 2 knapp nr 5). Vid ett inkommande samtal blinkar lysdioden med grönt/blått sken samt lyser med fast blått sken medan samtalet pågår. En pågående ljuduppspelning pausas tills samtalet har avslutats.

8.5.1.3 Balansreglering (bild 1 reglage nr 4)

Med hjälp av reglaget kan du kompensera för differentierad hörsel mellan höger och vänster.

8.5.1.4 Information om batterinivån (hakbygelhörlurar)

Om hakbygelnns batterinivå är låg börjar lysdioden (bild 1 lysdiod nr 2) långsamt att blinka med BLÅTT sken.

8.6 Felsökning

8.6.1 Inget ljud

- Kontrollera att strömkontakten sitter i korrekt i eluttaget och i uttaget på sändaren.
- Säkerställ att strömbrytaren står i läge "ON" på både sändaren och hörlurarna.
- Laddningsstatusen i hörlursbatteriet kan vara för låg. Ladda batteriet.
- Kontrollera om tv-apparaten, stereon eller ljudenheterna är på och att en kanal för ljudöverföring är inställd.
- Utgångsnivån (volymen) på ljudkällan kan vara för lågt inställd. Ställ in rätt volym.
- Höj volymen med reglaget på hörlurarna.
- Är ljudpaus-knappen på hörlurarna på (lysdiolen på luren blinkar långsamt med GÖNT sken)?
- Är ljud-/videoenheten inte i uppspelningsläge? Koppla på detta.

9. Service och skötsel

Hänvisning

Koppla bort enheten från elnätet inför rengöring och om den inte ska användas under en längre tid.

- Rengör bara den här produkten med en luddfri, lätt fuktad duk och använd inga aggressiva rengöringsmedel.
- Rengör öronkuddarna regelbundet av hygieniska skäl med alkoholfria medel.

7. Garantifriskrivning

Hama GmbH & Co KG övertar ingen form av ansvar eller garanti för skador som beror på olämplig installation, montering och olämplig produktanvändning eller på att bruksanvisningen och/eller säkerhetshänvisningarna inte följs.

8. Service och support

Kontakta Hama produktrådgivning om du har frågor om produkten.

Hotline: +49 9091 502-115 (ty/eng)

Du hittar mer support-information här: www.hama.com

9. Kasseringshänvisningar

Not om miljöskydd:



Efter implementeringen av EU direktiv 2012/19/EU och 2006/66/EU i den nationella lagstiftningen, gäller följande: Elektriska och elektroniska apparater samt batterier får inte kastas i hushållssoporna.

Konsumenterna är skyldiga att återlämna elektriska och elektroniska apparater samt batterier vid slutet av dess livslängd till, för detta ändamål, offentliga uppsamlingsplatser. Detaljer för detta definieras via den nationella lagstiftningen i respektive land. Denna symbol på produkten, instruktionsmanualen eller på förpackningen indikerar att produkten omfattas av denna bestämmelse. Genom återvinning och återanvändning av material/batterier bidrar du till att skydda miljön och din omgivning.

10. Försäkran om överensstämmelse



Härmed försäkrar Hama GmbH & Co KG, att denna typ av radioutrustning [00131991] överensstämmer med direktiv 2014/53/EU. Den fullständiga texten till

EU-försäkran om överensstämmelse finns på följande

webbadress: www.hama.com -> 00131991 -> Downloads

THOMSON

Thomson is a trademark of Technicolor (S.A.) or its affiliates used under license by HAMA GmbH & Co KG in 86652 Monheim / Germany

www.thomson-av-accessories.eu



WHP6309BT
00131991