

GOXTREME® REEF

QUICK GUIDE

Congratulations on the purchase
of the GoXtreme Reef.

You can find detailed user guide online on this website:

<http://www.easypix.info/download-manuals/download/goxtreme-reef/>



IMPORTANT INFORMATION

To ensure the optimal functioning of your camera, please note the following important information:

MicroSD card:

- Please ensure your memory card is formatted in the camera before first using the card for the first time (Settings > Format).
- The maximum capacity memory card supported is 32GB.

Use of memory cards exceeding the maximum recommended capacity may result in file errors.

- The recording time depends on the selected resolution.
- After reaching a max. video recording time of approx. 29 minutes, the camera will stop recording automatically. A new recording must be restarted manually.

Charging:

- Ensure the camera is charged completely before first use.
- Keep the device away from children while charging.
- Ensure the camera is switched off when charging. If the camera turns on automatically when connected to a power source please turn it off to complete charging. A camera plugged into power and switched on will not charge.
- The camera should only be charged via the USB port of a computer or a USB power adapter with a maximum capacity of 550mAh.
- Unplug the USB cable connected to the camera before using the camera.

Safety instructions:



WARNING:

The camera is not suitable for children under 36 months because of choking hazard.

- The camera is waterproof to a depth of 3m. Please do not use the camera at greater depths.



WARNING:

Do not plug in the power cord with wet hands to avoid the risk of electric shock. Only open the battery compartment with dry hands and ensure that no dirt can get inside the camera when inserting, changing or removing the batteries or the SD card.

- After using in water, turn off the camera, make sure the battery compartment is tightly closed, and rinse the camera with clean water. Do not use soap or detergents, as they could negatively affect the waterproofness of the camera. Allow the camera to dry after rinsing.



WARNING:

Always protect your camera from falls, blows and bumps.

- Keep a sufficient distance from objects that generate strong magnetic fields or radio waves, such as electrical appliances to prevent them from damaging the product or affecting the sound and image quality.
- Store the device cool (at room temperature) in a dry and dust-free location and never expose the product to high temperatures or permanently direct sunlight.
- In the unlikely event of overheating, smokes or unpleasant odors coming out of the unit, disconnect it immediately from the charging cable and remove the battery to avoid a fire.

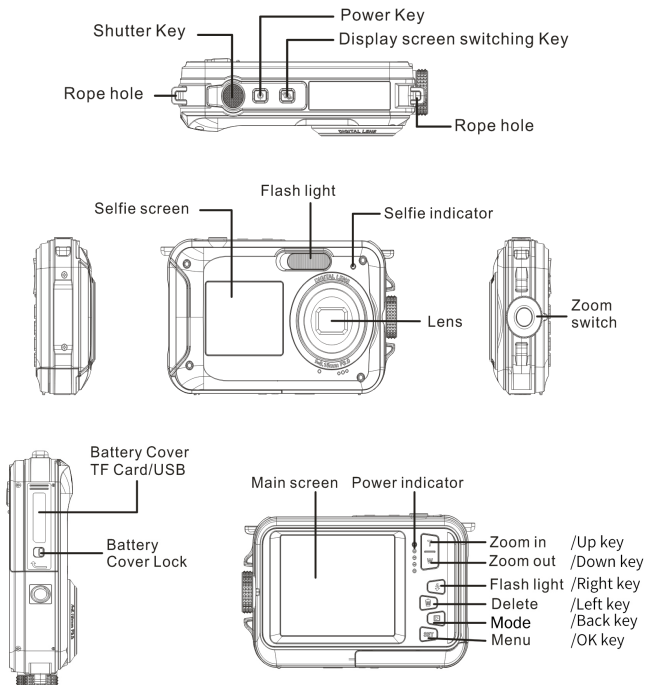
PREPARATION BEFORE USE

Please install the lithium battery provided with your camera before first use.

Charging the lithium battery

Connect the camera to your computer via USB. The red LED illuminates to indicate charging is in progress. The LED will switch off to indicate when the battery is fully charged.

CAMERA OVERVIEW



Icons: Battery Power



Full



Half



Low

Quality



Common



Fine



Super Fine

Flashing Light



Flash On



Auto Flash



Flash Off



Anti-Red Eye Flashing Light

Mode



Photo



Playback



video



Self-timer 10s



Self-timer 5s



Self-timer 2s



Self-timer off

Digital Zoom



Protect



Protect

Anti-shake



Anti-shake On



Anti-Shake Off

Scenes



Auto



Scenery



Portrait



Night scenery



Night portrait



High Sensitivity



Sport



Beach



Party

TECHNICAL SPECIFICATION

Sensor	8MP CMOS sensor
Photo resolution	(24M) 5600x4200, (20M) 5200x3900, (16M) 4608x3456, (14M) 4416x3312, (12M) 4000x3000, (10M) 3648x2736, (8M) 3264x2448, (7M HD) 3648x2048, (5M) 2592x1944, (3M) 2048x1536, (2M HD) 1920x1080, (VGA) 640x480
Video resolution	FHD1920x1080, HD1280x720P, (VGA)640x480, QVGA320x240
Displays	2.7 inch back screen, 1.8 inch front screen
External memory	Micro SD cards max. up to 32 GB (not included)
Digital zoom	4x
EV	-3~+3
White balance	Auto/Daylight/Cloudy/Flourescent/Incandescent
Scene	Auto/Scenery/Portrait/Night scenery/Night portrait/High sensitivity/Sports/Beach/Party
ISO	Auto/100/200/400
Self timer	2s, 5s, 10s
File format	JPEG format (Still image) / AVI format (video)
Anti-shake	Yes
Flash light	Auto/force flash light/flash off/anti red eye
Print support	Yes
Face detection	Yes
Continuous shooting	Yes (VGA 6pcs)
Microphone	Built-in
Interface	USB2.0
Battery	Lithium Battery
Working temperature	0-40° C



All product specifications are correct at time of print and are subject to change without prior notice. Easypix GmbH reserve the right for errors or omissions.

For technical help please visit our support area on www.easypix.eu.

CONFORMITY

The manufacturer hereby declares that the CE marking was applied to the product GoXtreme Reef in accordance with the basic requirements and other relevant provisions of the following CE Directives:

2014/53/EU

2011/65/EC RoHS

2014/30/EU EMV

2012/19/EC WEEE



The EC Declaration of Conformity can be downloaded here:

http://www.easypix.info/download/pdf/doc_goxtreme_reef.pdf

DISPOSAL



Dispose of packaging

For disposal, separate packaging into different types. Cardboard and board must be disposed of as paper and foil must be recycled.



Disposal of Waste Electrical and Electronic Equipment and/or Battery by users in private households in the European Union.

This symbol on the product or on the packaging indicates that this cannot be disposed of as a household waste. You must dispose of your waste equipment and/or battery by handling it over to the applicable take-back scheme for the recycling of electrical and electronic equipment and/or battery. For more information about recycling of this equipment and/or battery, please contact your city office, the shop where you purchased the equipment or your household waste disposal service. The recycling of materials will help to conserve natural resources and ensure that it is recycled in a manner that protects human health and environment.



Battery warning

- Never dismantle, crush, or pierce the battery, or allow the battery to short-circuit. Do not expose battery being placed in high temperature environment, if battery leaks or bulges, stop continue to use.

- Always charge using the charger. Risk of explosion if battery is replaced by an incorrect type.
- Keep the battery out of reach of children.
- Batteries may explode if exposed to naked fire. Never dispose of batteries in a fire.
- Disposed of used batteries observing local regulations.
- Before disposing the device, please remove the battery.



The camera is not suitable for children under 3 years because of choking hazard.



Made in China / Only for EU

easypix[®]
LIFESTYLE ELECTRONICS