

Plug-in relay 2 W, Width 15 mm, 230 V AC for LZS sockets

Figure similar

product brand name	SIRIUS
product designation	Plug-in relay
product type designation	LZX
General technical data	
percental drop-out voltage related to the input voltage	15 %
shock resistance acc. to IEC 60068-2-27	5g / 11 ms
vibration resistance acc. to IEC 60068-2-6	30 ... 150 Hz: 5g
operating frequency without load	36 000 1/h
operating frequency with load	360 1/h
switching behavior	monostable
design of the switching function	changeover switch
design of the switching function positively driven	No
mechanical service life (switching cycles) typical	5 000 000
electrical endurance (switching cycles) at AC-15 at 230 V typical	80 000
thermal current	8 A
reference code acc. to IEC 81346-2	K
Substance Prohibittance (Date)	01.05.2012 00:00:00
Control circuit/ Control	
control supply voltage at AC	
• at 50 Hz rated value	230 V
• at 60 Hz rated value	230 V
control supply voltage frequency	
• 1 rated value	50 Hz
• 2 rated value	60 Hz
supply voltage frequency for auxiliary and control circuit rated value	50 ... 60 Hz
operating range factor control supply voltage rated value at AC at 50 Hz	
• initial value	0.9
• full-scale value	1.1
operating range factor control supply voltage rated value at AC at 60 Hz	
• initial value	0.9
• full-scale value	1.1
design of the relay operating mechanism	poled
product component plug-in socket	No

Auxiliary circuit		
type of switching contact	Changeover contact	
material of switching contacts	AgNi 90/10	
number of NC contacts for auxiliary contacts	0	
number of NO contacts for auxiliary contacts	0	
number of CO contacts for auxiliary contacts	2	
operational current of auxiliary contacts at AC-15 <ul style="list-style-type: none"> at 250 V 	3 A	
Main circuit		
type of voltage	AC	
Outputs		
ampacity of the output relay at AC-15 at 250 V at 50/60 Hz	3 A	
Connections/ Terminals		
product function removable terminal	No	
Installation/ mounting/ dimensions		
mounting position	any	
fastening method	base mounting	
height	29 mm	
width	12.7 mm	
depth	19.5 mm	
Ambient conditions		
ambient temperature <ul style="list-style-type: none"> during operation during storage during transport 	-40 ... +70 °C -40 ... +85 °C -40 ... +85 °C	
Certificates/ approvals		
General Product Approval	Declaration of Conformity	other



[Miscellaneous](#)

[Confirmation](#)

Further information

Information- and Downloadcenter (Catalogs, Brochures,...)

<https://www.siemens.com/ic10>

Industry Mall (Online ordering system)

<https://mall.industry.siemens.com/mall/en/en/Catalog/product?mlfb=LZX:RT424730>

Cax online generator

<http://support.automation.siemens.com/WW/CAXorder/default.aspx?lang=en&mlfb=LZX:RT424730>

Service&Support (Manuals, Certificates, Characteristics, FAQs,...)

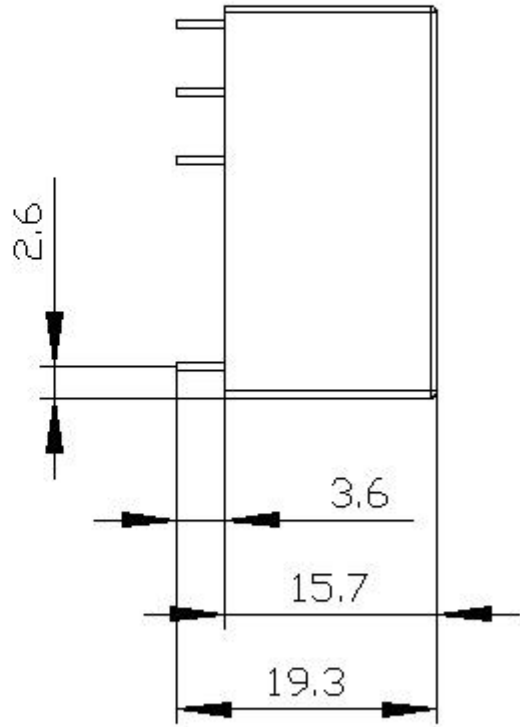
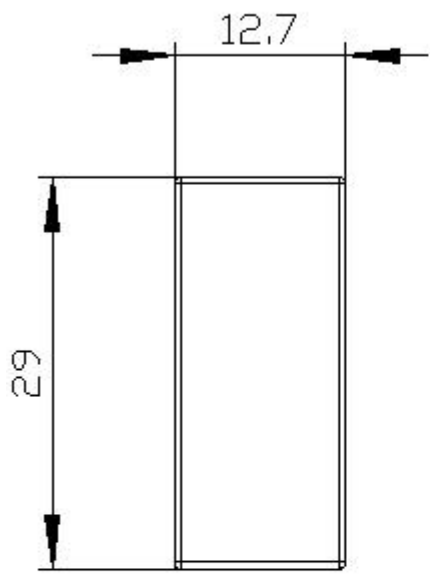
<https://support.industry.siemens.com/cs/ww/en/ps/LZX:RT424730>

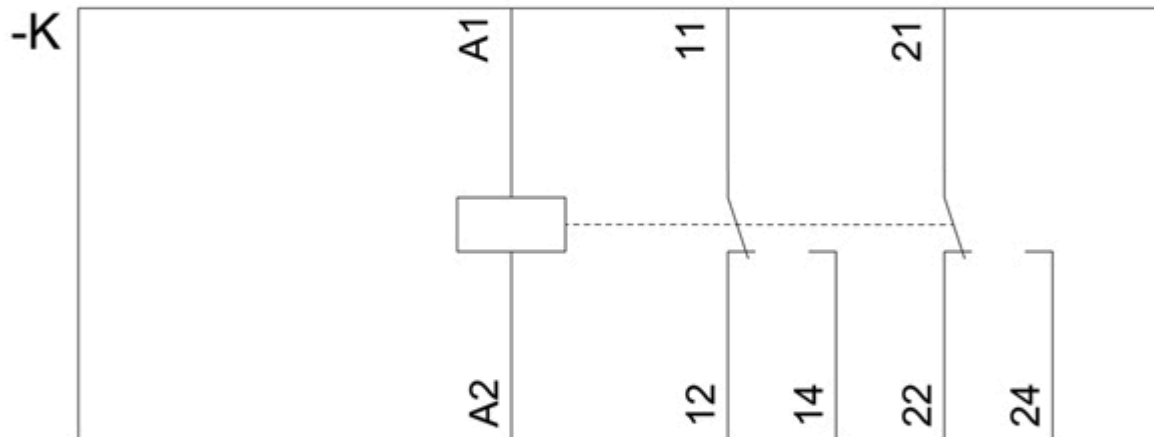
Image database (product images, 2D dimension drawings, 3D models, device circuit diagrams, EPLAN macros, ...)

http://www.automation.siemens.com/bilddb/cax_de.aspx?mlfb=LZX:RT424730&lang=en

Characteristic: Derating

<https://support.industry.siemens.com/cs/ww/en/ps/LZX:RT424730/manual>





last modified:

12/23/2020 