

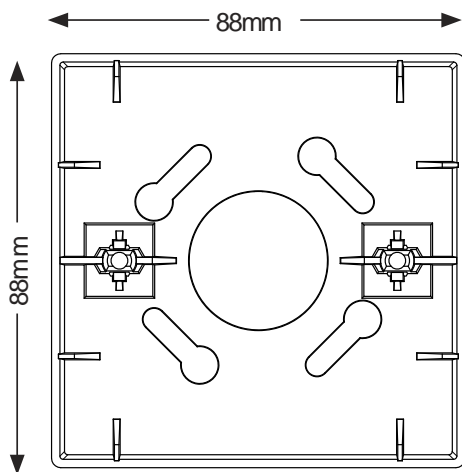
INTELLIA EPP-20A AND EPP-22A MANUAL CALL POINTS

The Intellia manual call points are used in the FX 3NET fire detection system. The devices are addressable and compatible with the FX ALC loop controller.

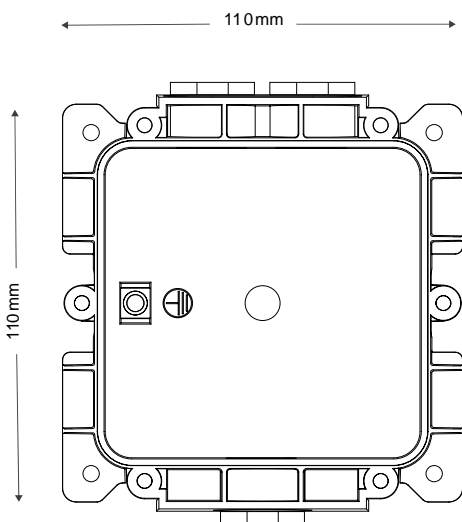
The EPP-20A is intended for indoor applications. The waterproof version EPP-22A is intended for outdoor applications or those where water and dirt are problem.

Both devices are surface mounted and they incorporate a short circuit isolator.

Mechanical dimensions EPP-20A



Mechanical dimensions EPP-22A

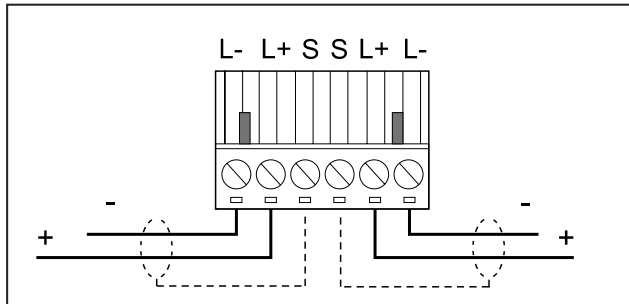


EPP-20A



EPP-22A

Wiring connections



Call point accessories

Reset key



Hinged cover



Reset

By inserting the reset key into the front facing LED turning clockwise until a positive click and reset occurs.

Address setting

The address of each call point is set at the commissioning state by means of a seven-segment DIL switch. The address switch is accessible without removing the call point from the mounting surface.

Technical data

	EPP-20A	EPP-22A
Operating voltage	17-28 VDC	
Operating temperature	-40 °C ... +70 °C	
Humidity	0 ... 95 % RH (non condensing)	
IP Rating	45	67
Current consumption (max) at 24 VDC		
• Power up surge (1s)	1 mA	
• Quiescent	100 µA	
• Alarm LED on	4 mA	
Dimensions	88 x 88 x 59 mm	110 x 110 x 74 mm
Weight	115 g	325 g
Conformity	EN54-11:2001 EN54-17:2005	
Declaration	Declaration of Conformity Declaration of Performance	
Address setting	Seven-segment DIL switch	
LED color		
• Alarm status	Red	
• Short circuit	Yellow	
Resetting	Resettable element Front facing mechanism Reset key	
Product code	06723700	06723701

Accessories codes	Description
06723702	Transparent hinged cover
06723703	Reset key pack of 10
06723705	Gland plug and washer pack of 10