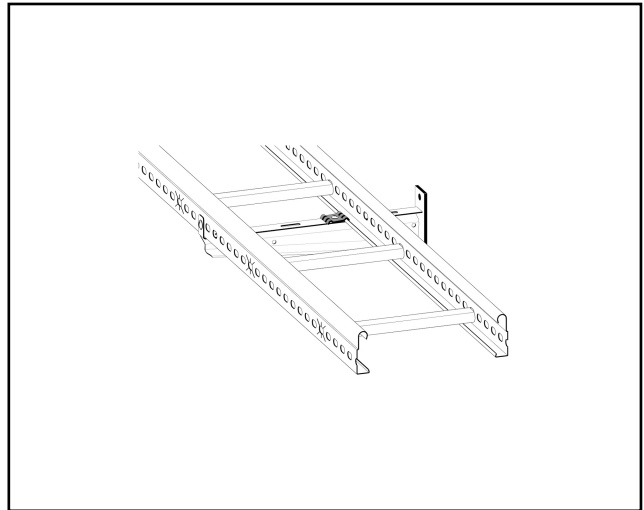
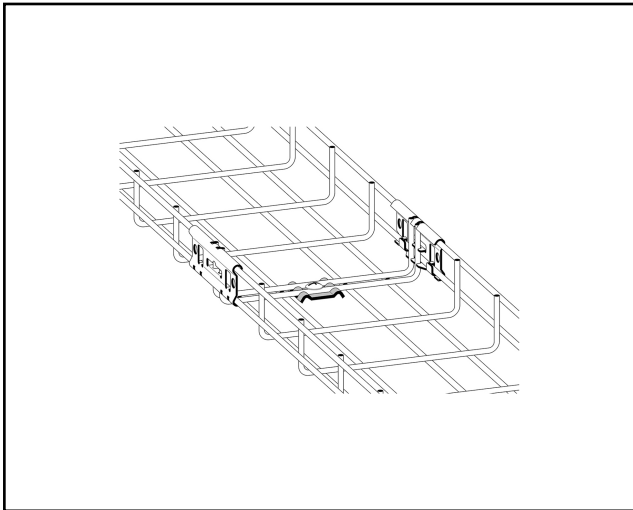
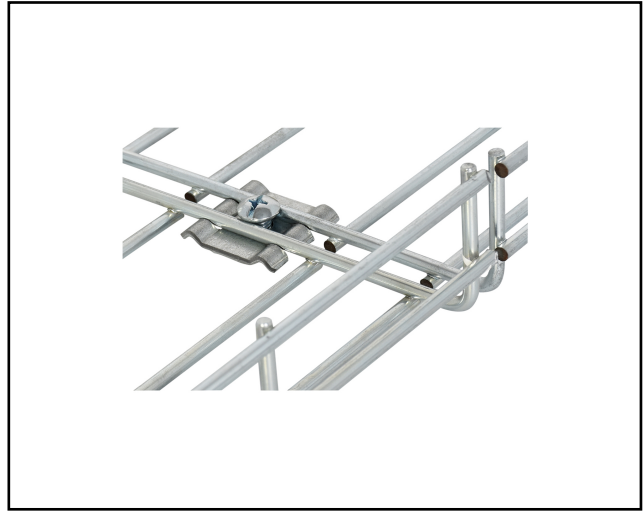


Universal bracket

Universal bracket in material type Z4, suitable for outdoor use. Designed for universal fastening in the trays and for locking cantilever arm and angle brackets. For widths 300-600 mm, use a universal bracket in the bottom of the wire mesh tray to reinforce the joint. Fitted using MP fastening screw MP-937. The universal bracket can also be used as a cantilever arm clamp on the rear edge for all ladder types except MP-FZ.



MP-no	GTIN	Dimension (LxBxH) mm	Weight kg	Surface	Max env. class	Pieces/ pack.
731Z4	7394333053875	37x42x5	0.03	Z4	C4	10