

Product data

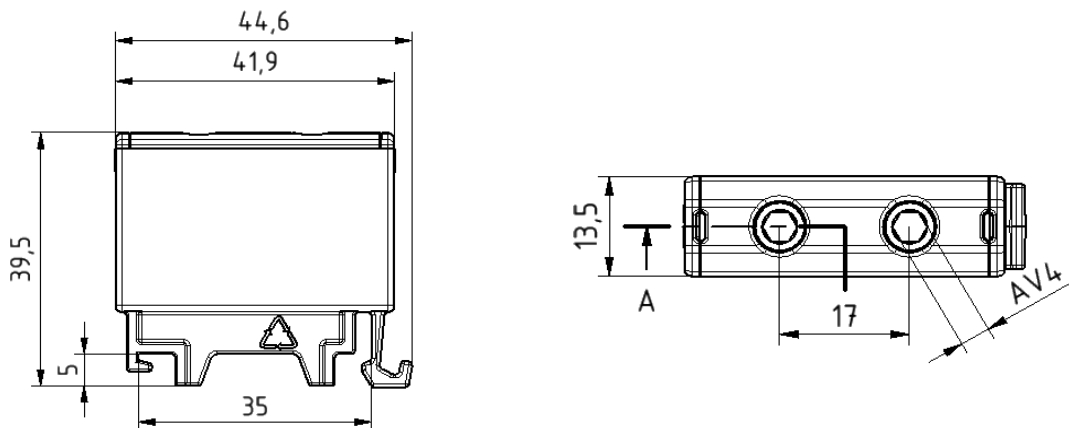
Product code	VC05-0001	STK-code	1914101	EAN-code	6410019141016
Product name	OTL-connector 1xAl/Cu 1,5-16mm² (Blue)				
Wires	1xAl/Cu 1,5-16mm²				

Technical data

Nominal current	Cu	82	A
	Al	75	A
Nominal voltage		1000	V
Max. Current (US)	Cu	-	A
	Al	-	A
Max. Voltage (US)		-	V
Number of pole		1	pcs
Max. Cross section		16	mm ²
Tightening torque	1,5-6 mm ²	1,5	Nm
	10-16 mm ²	7	Nm
	-	-	Nm
	-	-	Nm
Max. Operating temperature		80	°C
Weight		15	g
IP-protection		IP20	
Standards	EN 61238-1; EN60947-7-1		
Color/ Material	Blue RAL 5015/ PA66		
Mounting/ Connection	DIN-rail mounting		


Description

OTL-connectors are designed to be used connecting and branching aluminium and copper conductors. Bodies are made of tin-plated aluminium.

Drawing

Package

Package	Box	pcs/ package	30	Weight [Kg]	0,55
Length [mm]	120	Width [mm]	130	Height [mm]	100