

Kabelverschraubung
SCHLEMMER-TEC
 Messing vernickelt
 metrisches Gewinde, kurz

Cable gland
SCHLEMMER-TEC
 nickel-plated brass
 metric thread, short

RoHS IP 68 EN 50262

- Material:**
- 1/3: Verschraubungskörper/
Hutmutter: Messing vernickelt
 - 2: Klemmkörper: Polyamid 6
 - 4: Dichtring für Außengewinde:
Nitril
 - 5: Dichtung: Neopren

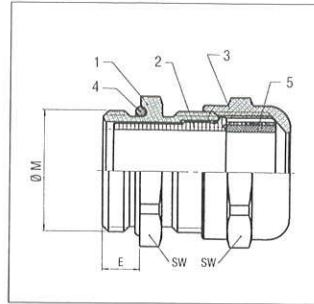
Temperaturbereich:
 -40°C bis 100°C

- Farbe(n)/Ausführungen:**
- Außengewinde: Metrisch
 - kurzes Gewinde
 - Reduzier-Dichteinsatz

- Eigenschaften:**
- optimale Zugentlastung durch
Klemmlamellen
 - gas- und wasserdicht
 - zusätzlicher Dichtring (4) aus Nitril
am Verschraubungskörper

- Zubehör (siehe Kapitel...):**
- Gegenmuttern (3.3)
 - Montagezange Mon.Za (3.1)

- Anwendungsbereiche:**
- Maschinen- und Anlagenbau
 - Photovoltaik
 - Automatisierungstechnik



- Material:**
- 1/3: Gland element/Cap nut:
nickel-plated brass
 - 2: Clamping shell: Polyamide 6
 - 4: Sealing-Ring for External thread:
Nitrile
 - 5: Sealing: Neoprene

Temperature range:
 -40°C to 100°C

- Colour(s)/Designs:**
- External thread: metric
 - short thread
 - reduction sealing insert

- Characteristics:**
- maximum strain relief through
clamp lamella
 - gas and water-tight
 - additional Nitrile sealing-ring (4)
on the gland element

Accessories (see chapter...):

- lock nuts (3.3)
- Mounting tool Mon.Za (3.1)

- Applications:**
- Machine and apparatus construction
 - Photovoltaic
 - Automation technology

3.1

| Außengewinde External thread | Klemmbereich mm Clamping range mm | Gewindelänge (E) mm Thread length (E) mm | SW mm SW mm | Art.-Nr. vernickelt Art. no. nickel-plated | VE Stck. PU pcs. |
|--|--------------------------------------|---|----------------|---|---------------------|
| M 12 x 1,5 | 2,5 - 6,5 | 5,0 | 14,0 | 4220612 | 100 |
| M 16 x 1,5 | 4,0 - 9,5 | 5,0 | 17,0 | 4220616 | 50 |
| M 20 x 1,5 | 7,0 - 13,0 | 6,0 | 22,0 | 4220620 | 50 |
| M 25 x 1,5 | 8,0 - 16,0 | 7,0 | 27,0 | 4220625 | 25 |
| M 32 x 1,5 | 11,0 - 21,0 | 8,0 | 34,0 | 4220632 | 20 |
| M 40 x 1,5 | 15,0 - 27,0 | 8,0 | 42,0 | 4220640 | 10 |
| M 50 x 1,5 | 22,0 - 35,0 | 9,0 | 55,0 | 4220650 | 5 |
| M 63 x 1,5 | 35,0 - 48,0 | 10,0 | 65,0 | 4220663 | 5 |
| mit Reduzier-Dichteinsatz / with reduction sealing insert | | | | | |
| M 12 x 1,5 RED | 1,5 - 5,0 | 5,0 | 14,0 | 4220712 | 100 |
| M 16 x 1,5 RED | 2,5 - 7,0 | 5,0 | 17,0 | 4220716 | 50 |
| M 20 x 1,5 RED | 4,0 - 10,0 | 6,0 | 22,0 | 4220720 | 50 |
| M 25 x 1,5 RED | 5,0 - 13,0 | 7,0 | 27,0 | 4220725 | 25 |
| M 32 x 1,5 RED | 7,0 - 17,0 | 8,0 | 34,0 | 4220732 | 20 |
| M 40 x 1,5 RED | 10,0 - 22,0 | 8,0 | 42,0 | 4220740 | 10 |
| M 50 x 1,5 RED | 17,0 - 29,0 | 9,0 | 55,0 | 4220750 | 5 |
| M 63 x 1,5 RED | 28,0 - 40,0 | 10,0 | 65,0 | 4220763 | 5 |

Kabelverschraubung
SCHLEMMER-TEC
 Messing vernickelt
 metrisches Gewinde, kurz

Cable gland
SCHLEMMER-TEC
 nickel-plated brass
 metric thread, short

RoHS IP 68 EN 50262

Material:

- 1/3: Verschraubungskörper/
Hutmutter: Messing vernickelt
- 2: Klemmkörper: Polyamid 6
- 4: Dichtring für Außengewinde:
Nitril
- 5: Dichtung: Neopren

Temperaturbereich:

-40°C bis 100°C

Farbe(n)/Ausführungen:

- Außengewinde: Metrisch
- kurzes Gewinde
- Reduzier-Dichteinsatz

Eigenschaften:

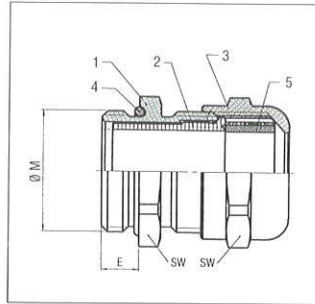
- optimale Zugentlastung durch
Klemmlamellen
- gas- und wasserdicht
- zusätzlicher Dichtring (4) aus Nitril
am Verschraubungskörper

Zubehör (siehe Kapitel...):

- Gegenmuttern (3.3)
- Montagezange Mon.Za (3.1)

Anwendungsbereiche:

- Maschinen- und Anlagenbau
- Photovoltaik
- Automatisierungstechnik



Material:

- 1/3: Gland element/Cap nut:
nickel-plated brass
- 2: Clamping shell: Polyamide 6
- 4: Sealing-Ring for External thread:
Nitrile
- 5: Sealing: Neoprene

Temperature range:

-40°C to 100°C

Colour(s)/Designs:

- External thread: metric
- short thread
- reduction sealing insert

Characteristics:

- maximum strain relief through
clamp lamella
- gas and water-tight
- additional Nitrile sealing-ring (4)
on the gland element

Accessories (see chapter...):

- lock nuts (3.3)
- Mounting tool Mon.Za (3.1)

Applications:

- Machine and apparatus construction
- Photovoltaic
- Automation technology

3.1

| Außengewinde External thread | Klemmbereich mm Clamping range mm | Gewindelänge (E) mm Thread length (E) mm | SW mm SW mm | Art.-Nr. vernickelt Art. no. nickel-plated | VE Stck. PU pcs. |
|--|--|---|----------------------|---|---------------------------|
| M 12 x 1,5 | 2,5 - 6,5 | 5,0 | 14,0 | 4220612 | 100 |
| M 16 x 1,5 | 4,0 - 9,5 | 5,0 | 17,0 | 4220616 | 50 |
| M 20 x 1,5 | 7,0 - 13,0 | 6,0 | 22,0 | 4220620 | 50 |
| M 25 x 1,5 | 8,0 - 16,0 | 7,0 | 27,0 | 4220625 | 25 |
| M 32 x 1,5 | 11,0 - 21,0 | 8,0 | 34,0 | 4220632 | 20 |
| M 40 x 1,5 | 15,0 - 27,0 | 8,0 | 42,0 | 4220640 | 10 |
| M 50 x 1,5 | 22,0 - 35,0 | 9,0 | 55,0 | 4220650 | 5 |
| M 63 x 1,5 | 35,0 - 48,0 | 10,0 | 65,0 | 4220663 | 5 |
| mit Reduzier-Dichteinsatz / with reduction sealing insert | | | | | |
| M 12 x 1,5 RED | 1,5 - 5,0 | 5,0 | 14,0 | 4220712 | 100 |
| M 16 x 1,5 RED | 2,5 - 7,0 | 5,0 | 17,0 | 4220716 | 50 |
| M 20 x 1,5 RED | 4,0 - 10,0 | 6,0 | 22,0 | 4220720 | 50 |
| M 25 x 1,5 RED | 5,0 - 13,0 | 7,0 | 27,0 | 4220725 | 25 |
| M 32 x 1,5 RED | 7,0 - 17,0 | 8,0 | 34,0 | 4220732 | 20 |
| M 40 x 1,5 RED | 10,0 - 22,0 | 8,0 | 42,0 | 4220740 | 10 |
| M 50 x 1,5 RED | 17,0 - 29,0 | 9,0 | 55,0 | 4220750 | 5 |
| M 63 x 1,5 RED | 28,0 - 40,0 | 10,0 | 65,0 | 4220763 | 5 |