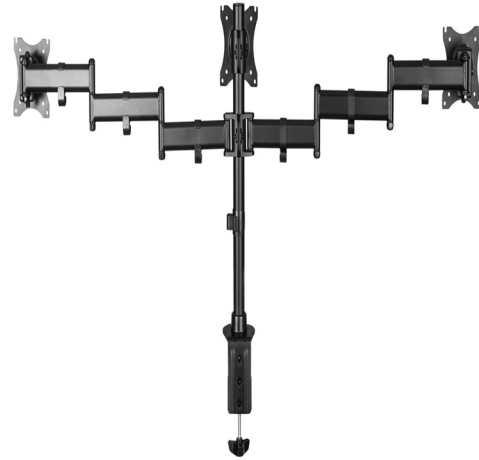


13"-27" display Desk mount

DELTACO
A NORDIC BRAND
OFFICE



PRODUCT DATA

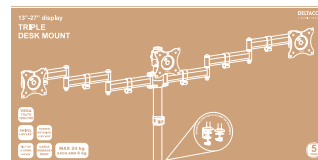
Compatible displays:	13"-27"
Screen Quantity:	3
Weight Capacity (per screen):	8 kg
VESA:	75x75,100x100
Product Category:	Articulating Monitor Arm
Tilt Range:	+45°~-45°
Swivel Range:	+45°~-45°
Screen Rotation:	+180°~-180°
Material:	Aluminum,Plastic,Steel
Surface Finish:	Powder Coating
Color:	Matte Black
Dimensions:	1448x120x550mm (57"x4.7"x21.7")
Arm Full Extension:	630mm (24.8")
Pole Height:	450mm (17.7")
Suggested Desktop Thickness:	Clamp:10~88mm Grommet:10~80mm (Clamp:0.39"~3.5" Grommet:0.39"~3.1")
Installation:	Grommet,Clamp
Fit Curved Monitor:	No
Cable Management:	Yes
Quick Release VESA Plate:	No
Anti-theft:	No

LOGISTICS DATA

Article number:	ARM-0301
Brand:	DELTACO
EAN Code:	7333048042750
Country of origin:	China
Custom tariff number:	83024900
Master carton packing unit:	2
Master carton gross weight:	15.8 kg
Master carton dimensions:	63 x 31 x 28.5 cm
Package type:	Box
Package weight:	7.3 kg
Package dimensions:	62 x 30 x 13.5 cm

PACKAGING

Package contents:	Desk mount,mounting kit and manual
-------------------	------------------------------------



-Image may differ from the actual package

Drawing

