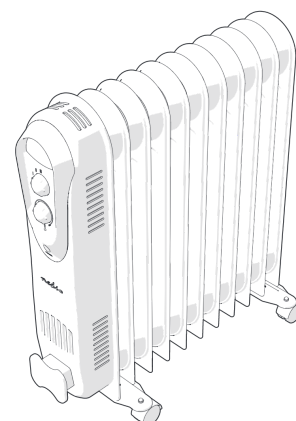




nedis

Mobile Oil Radiator

Article number: HTOI30WT7 / HTOI30WT9 / HTOI30WT11



Nedis BV
De Tweeling 28, 5215 MC 's-Hertogenbosch, The Netherlands 04/22

Preface

Thank you for purchasing the Nedis HTOI30WT7 / HTOI30WT9 / HTOI30WT11.

This document is the user manual and contains all the information for correct, efficient and safe use of the product.

- This user manual is addressed to the end user. Read this information carefully before
- installing or using the product.
- Always store this information with the product for use in the future.

Product description

Intended use

The Nedis HTOI30WT7 / HTOI30WT9 / HTOI30WT11 is a heater that allows the user to control the surrounding temperature.

The built-in thermostat measures the room temperature and automatically switches off the product when the desired room temperature is reached. When the room temperature decreases below the desired temperature, the product switches back on automatically.

The product has three heating modes to control the heating power.

The product is intended for indoor use only.

Any modification of the product may have consequences for safety, warranty and proper functioning.

This product can be used by children aged from 8 years and above and persons with reduced physical, sensory or mental capabilities or lack of experience and knowledge if they have been given supervision or instruction concerning use of the product in a safe way and



This product is intended for use in household environments for typical housekeeping functions that may also be used by non-expert users for typical housekeeping functions, such as: shops, offices other similar working environments, farm houses, by clients in hotels, motels and other residential type environments and/or in bed and breakfast type environments.

The product is not intended for professional use.

This product is only suitable for well insulated spaces or occasional use.

Specifications

Product	Mobile Oil Radiator		
Article number	HTOI30WT7	HTOI30WT9	HTOI30WT11
Dimensions (l x w x h)	310 x 240 x 620 mm	390 x 240 x 620 mm	440 x 240 x 650 mm
Weight	5.4 kg	6.4 kg	7.7 kg
Input power	220 - 240 V~; 50 - 60 Hz		
Heating power range	600 - 1000 W	900 - 1500 W	1500 - 2500 W

Information requirement for the electric local space heaters

Model identifier(s): HTOI30WT7 / HTOI30WT9 / HTOI30WT11

Item	Symbol	Value	Unit	Item	Unit
Heat output				Type of heat input, for electric storage local space heaters only (select one)	
Nominal heat	P _{nom}	1.5 / 2.0 / 2.5	kW	manual heat charge	No



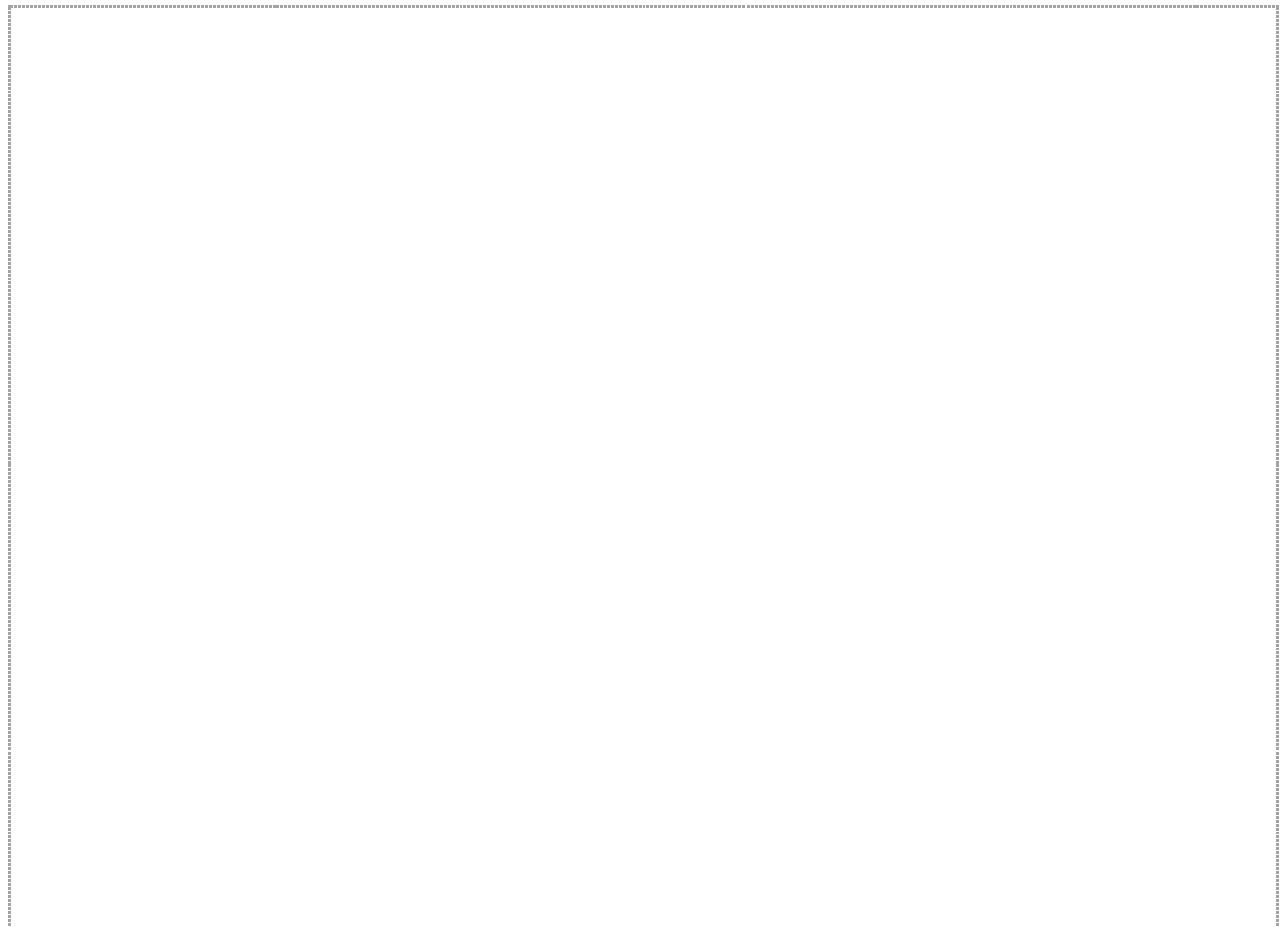
Minimum heat output (indicative)	P_{min}	0.6 / 0.9 / 1.5	kW	manual heat charge control with room and/or outdoor temperature feedback	No	
Maximum continuous heat output	$P_{max,c}$	1.5 / 2.0 / 2.5	kW	electronic heat charge control with room and/or outdoor temperature feedback	No	
Auxiliary electricity consumption				fan assisted heat output	No	
At nominal heat output	e_{lmax}	N/A	kW	Type of heat output/room temperature control (select one)		
At minimum heat output	e_{lmin}	N/A	kW	single stage heat output and no room temperature control	No	
<input checked="" type="radio"/> <input type="radio"/> <input type="radio"/> <input type="radio"/> <input type="radio"/> <input type="radio"/> <input type="radio"/>	In standby mode	e_{lSB}	0	kW	two or more manual stages, no room temperature control	No
					with mechanic thermostat room temperature control	Yes
					with electronic room temperature control	No
					electronic room temperature control plus day timer	No
				electronic room temperature control plus week timer	No	
				Other control options (multiple selections possible)		

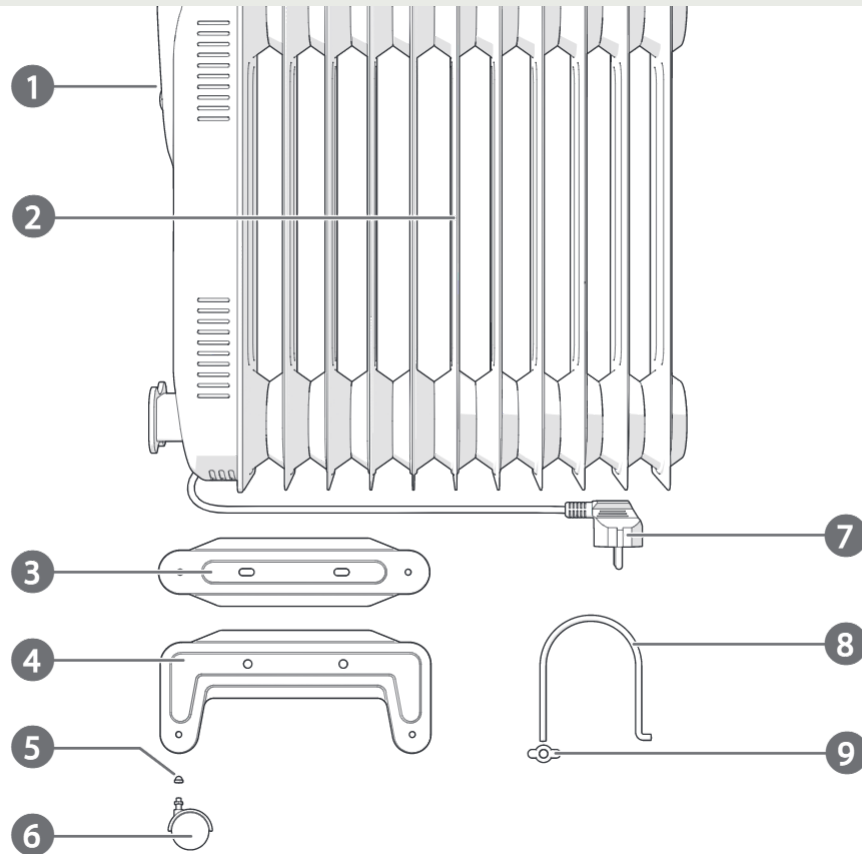


			room temperature control, with open window detection	No
			with distance control option	No
			with adaptive start control	No
			with working time limitation	No
			with black bulb sensor	No
Contact details	Nedis BV, De Tweeling 28, 5215 MC 's-Hertogenbosch, The Netherlands			

-
- Main parts (image **A**)

-
-
-
-
-
-
-
-
-



**A**

1 Control panel

2 Radiator

3 Castor mounting plate (2x)

4 U-shaped castor mounting plate*

5 Cap nut (4x)

6 Castor wheel (4x)

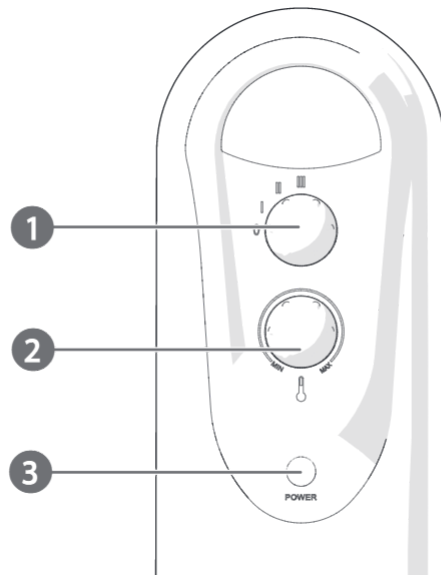
7 Power cable

8 U-shaped bolt (2x)

9 Wing nut (2x)



Control panel (image B)



B

- 1 Power dial
- 2 Thermostat dial
- 3 Power indicator LED

Safety instructions

WARNING

- Ensure you have fully read and understood the instructions in this document before you install or use the product. Keep the packaging and this document for future reference.
- Only use the product as described in this document.
- Misuse of this product can result in serious injury.
- Do not use the product if a part is damaged or defective. Replace a damaged or defective product immediately.
- Do not use the product if the surface is cracked.
- Do not drop the product and avoid bumping.
- This product may only be serviced by a qualified technician for maintenance to reduce the risk of electric shock.



- This product may not be used by persons (including children) whose physical, sensory or mental capabilities or lack of experience and knowledge prevents them from using the product safely without supervision or instruction.
- Children should be supervised to ensure that they do not play with the product.
- Do not expose the product to water or moisture.
- Do not use the product where splashing of water might occur, e.g. bathroom, swimming pool or close to a washbowl.
- Do not use the product in a room with an area smaller than 5 m².
- Keep the product at a minimum distance of 1 m away from flammable or combustible materials.
- Before use, always check that the mains voltage is the same as the voltage on the rating plate of the product.
- Do not use an extension cord or power strip, which could overheat and result in a fire.
- Only plug the cable into a wall outlet. Do not use extension cords.
- Unplug the product from the power source if problems occur.
- Unplug the product and set dials to zero when not in use and before cleaning.
- Do not unplug the product by pulling on the cable. Always grasp the plug and pull.
- Do not use external timers or remote control systems to switch the product on or off.
- Do not plug the product in a power outlet of a power group with other products that consume a lot of power.
- Do not locate the product immediately below a power outlet.
- Do not cover the power cable by e.g. carpets, rugs or furniture.
- Do not let the power cable hang over the edge of a table or counter, or touch hot surfaces.
- Do not leave the product unattended when the product is connected to the power outlet.
- Disconnect the product from the power source before service and when replacing parts.
- If the power cable is damaged, it must be replaced by the manufacturer, its service agent or similarly qualified persons in order to avoid a hazard.
- The surfaces of the product get hot during use. Only touch the handles of the product to avoid burns.
- Do not use the product outdoors, the product is designed for indoor use.
- To avoid overheating, do not cover the product.
- Only use the product in a well-ventilated area.
- Do not block the air in- and outlets of the product.
- Do not allow this product to come in contact with curtains, wall coverings, clothing,



qualified technician.

- Dispose of the oil separate from the product. Check the local rules and regulations for the correct disposal instructions.
- Do not use the product when it is leaking oil.
- Only use the product in the upright position.
- Do not move the product during operation.

Explanation of the safety symbols on the product

Icon	Description
	Indication to explain that the product contains a substance that is fatal or toxic if swallowed, inhaled or in contact with skin.

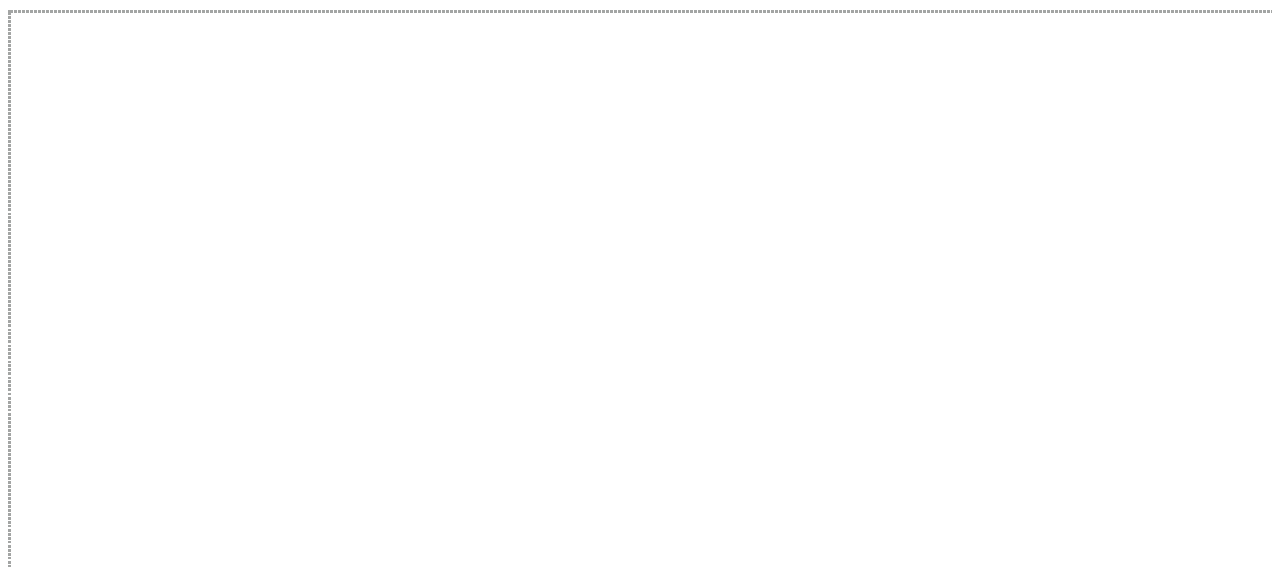
● Installation

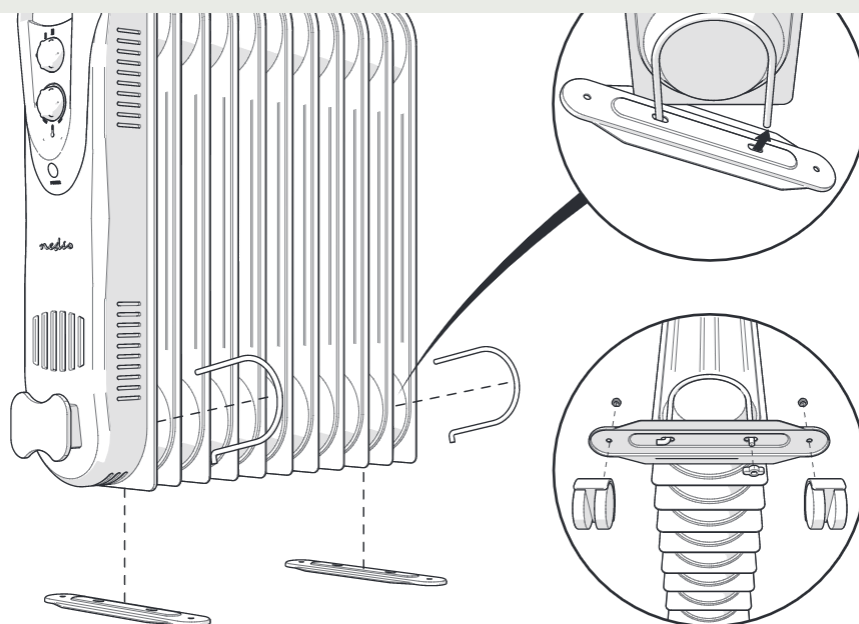


○ Check the contents of the package




○ Assembling the product (image **C**)





C

1. Remove all packaging.
2. Carefully place **A2** upside down on a soft surface.
3. Place the U-shaped bolt **A8** between the first and second fin behind the front cover.
4. Place the hook of **A8** through the slot on the castor mounting plate **A3**.
5. Place the thread **A8** through the other slot on **A3**.
6. Screw the wing nut **A9** on **A8**.
7.  Do not overtighten the bolts. This will damage the product.
8. Place the castor wheel **A6** in the hole of **A3**.
9. Screw the cap nut **A5** on **A6**.

Repeat steps 3 - 10 for **A3** between the last two fins on the other side of the product.

i The HTOI30WT7 has a U-shaped castor mounting plate **A4**.

Place **A4** between the first and second fin behind the front cover.

Point the ends of **A4** to **A1**.

Installing the product

1. Place the product on a stable and flat surface.
2. Turn the power dial **B1** and the thermostat dial **B2** to the **0** and **MIN** position.
3. Connect the power plug **A7** into a power outlet.



Using the product

1. Rotate the thermostat dial **B2** to the **MAX** position.
2. Rotate the power dial **B1** to the desired mode:

Mode	HTOI30WT7	HTOI30WT9	HTOI30WT11
I	600 W	900 W	1500 W
II	800 W	1200 W	2000 W
III	1000 W	1500 W	2500 W

3. When the room has reached the desired temperature, rotate **B2** counter-clockwise until the indicator light switches off. The thermostat is now set to the current room temperature.
 - When the room temperature reaches the selected level, the built-in thermostat automatically switches off the product.
 - When the room temperature decreases, the built-in thermostat automatically switches the product back on.
 4. Rotate **B2** to adjust the desired room temperature.
- i** The product might make some noise when it is used for the first time or after a long period when the product was not used. This is normal and does not affect the safety of the product.

Switching off the product



1. Rotate **B1** to the **0** position.
2. Unplug **A7** from the power outlet.
3. Allow the product to cool down.

Maintenance

Cleaning the product

1. Before cleaning and maintenance, switch off the product and disconnect the power.



-  Do not use aggressive chemical cleaning agents such as ammonia, acid or acetone when cleaning the product.
-  Do not let water enter the product.

Storing the product

1. Store the product in a dry room.

Warranty

Any changes and/or modifications to the product will void the warranty. We accept no liability for damage caused by improper use of the product.

This product is designed for private use (normal domestic use) only. Nedis is not responsible for wear, defect and/or damages caused by commercial use of the product.

● Disclaimer

-
- Designs and specifications are subject to change without notice. All logos, brands and product names are trademarks or registered trademarks of their respective owners and are
- hereby recognized as such.
-

○ Disposal



This symbol indicates that this product should not be thrown away with other household waste throughout the EU. To prevent possible harm to the environment or human health by uncontrolled waste disposal, you are responsible for recycling it so that it can promote the sustainable reuse of raw materials. To return your used product, you can use the regular return and collection systems or contact the store where the product was purchased. They can recycle this product for the environment.