



MAG Series

PC Case

MAG FORGE 320R AIRFLOW

MAG FORGE 120A AIRFLOW

User Guide

Contents

Specifications.....	3
Accessories.....	5
Case Features (320R)	6
Case Features (120A).....	7
Side and Front View	8
I/O and Buttons (320R).....	9
I/O and Buttons (120A).....	10
Side Panel Removal.....	11
Front Bezel Removal	12
Motherboard Installation.....	13
Graphics Card Installation.....	14
SSD & HDD Installation (320R).....	15
SSD & HDD Installation (120A).....	16
PSU Installation	17
Top Panel I/O Connection	18
Control Board Connection (320R).....	19
Control Board Connection (120A).....	21
General Information	22

Specifications

Comparison of Key Differences

Product Name	MAG FORGE 320R AIRFLOW	MAG FORGE 120A AIRFLOW
Dimensions (DxWxH)	472.5 x 210 x 498 mm	411.6 x 210 x 498 mm
Top Radiator Support	120 / 140 / 240 / 280 / 360 mm	120 / 240 mm
Pre-installed Fan	Top: No Front: 3 x 120mm ARGB fans Rear: 1 x 120mm ARGB fan	Top: 2 x 120mm Auto- RGB fans Front: 3 x 120mm Auto- RGB fans Rear: 1 x 120mm Auto- RGB fan
Side Fans Support	2 x 120mm	No
Maximum GPU Length	390mm (Pre-installed front fan)	330mm (Pre-installed front fan)
Drive Bays	1 x 2.5" SSD 2 x Combo 3.5"/2.5"	3 x 2.5" SSD 2 x 3.5" HDD
LED Controller	LED controller with Mystic Light Sync	LED controller (Standalone)

Basic Information

Case Type	Mid Tower
Supported Motherboard Sizes	ATX, Micro-ATX, Mini-ITX

Cooling Fan Support

Top	3 x 120mm or 2 x 140mm
Front	3 x 120mm or 2 x 140mm
Rear	1 x 120mm
PSU Shroud	2 x 120mm

Expansion Slots

PCIe Slots	7 slots
------------	---------

I/O Ports and Buttons

USB Ports	2 x USB 3.2 Gen1 Type-A
Audio Ports	1 x Audio jack 1 x Micphone jack
Buttons	1 x Reset button (120A / 320L) 1 x Power button 1 x LED switch button (120A / 320R)







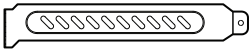
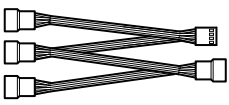
Chassis Clearances

Maximum CPU Cooler Height	160mm
Front Radiator Support	120 / 140 / 240 mm
PSU Support	160mm (with 3.5" HDD tray) 200mm (without 3.5" HDD tray)

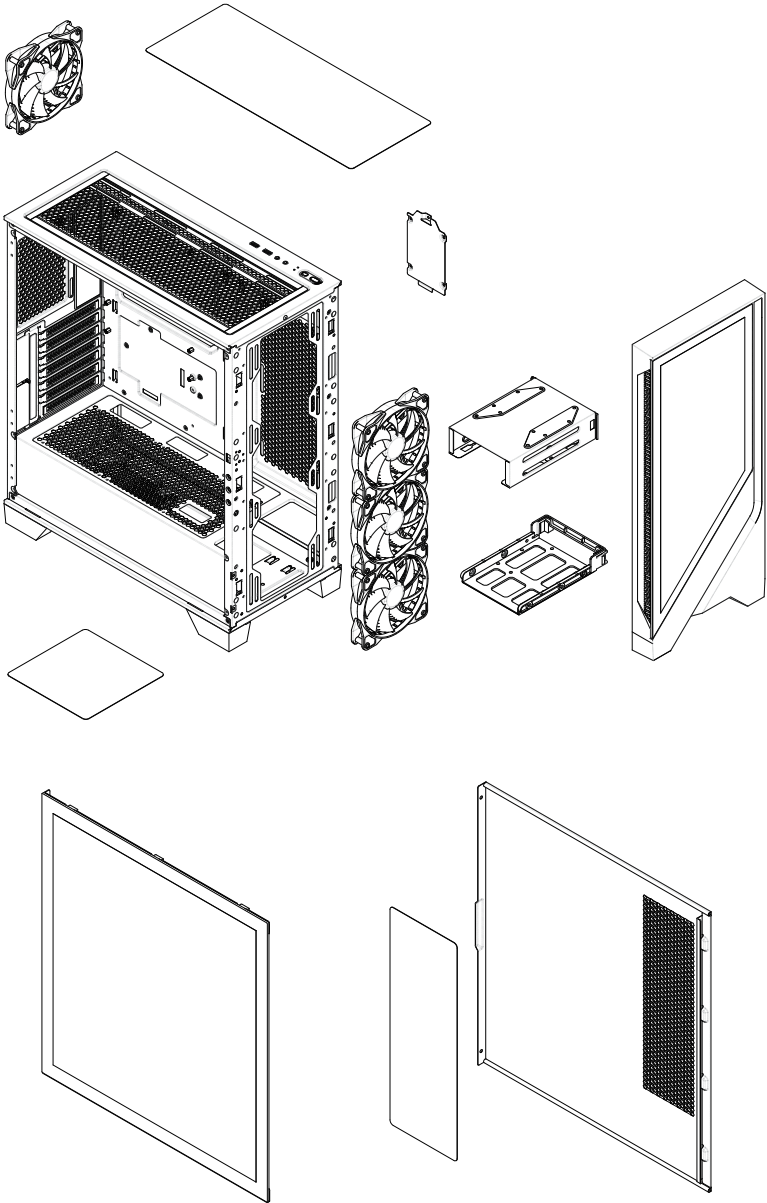
Materials

Metal Specification	SPCC 0.5
Front Bezel Material	Mesh + Plastic
Left Side Panel	4mm tempered glass
Dust Filter	Top: Magnetic filter Side: Magnetic filter Bottom: Plastic filter

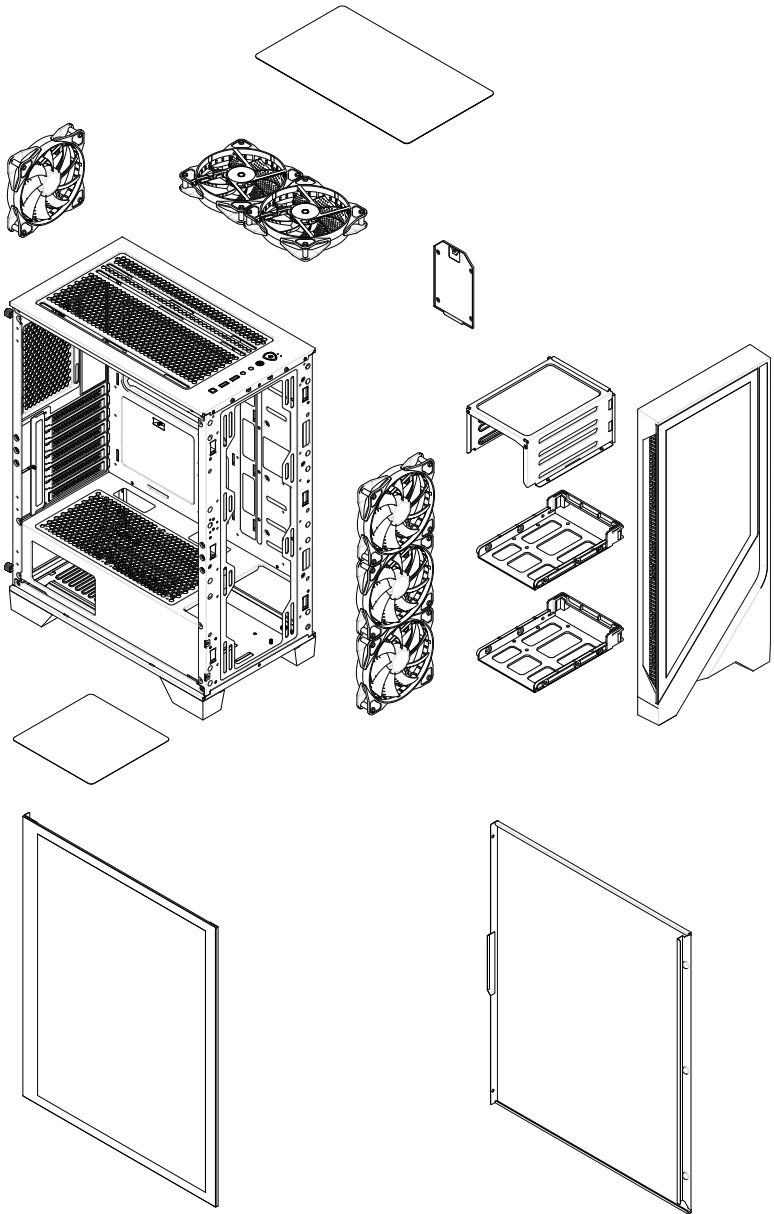
Accessories

Item	Name / Q'ty	Used for
	Cable ties x5	Cable management
	Screw #6-32 10mm x2	Securing drive tray
	Stand-off #6-32 6.5mm x4	Motherboard Stud
	Screw M3 5mm x20	Motherboard / SSD
	Screw #6-32 6mm x6	Securing PSU / PCIe Card
	Screw #6-32 5mm x4	3.5" HDD
	PCIe slot cover x2	PCIe slot protection
	1 to 4 fan splitter cable x1 (For 320R only)	Connecting 4 fans

Case Features (320R)

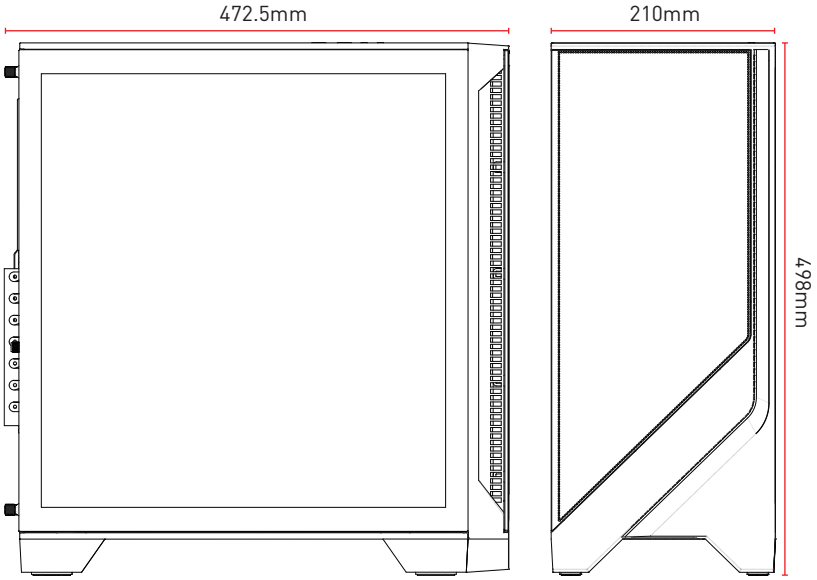


Case Features (120A)

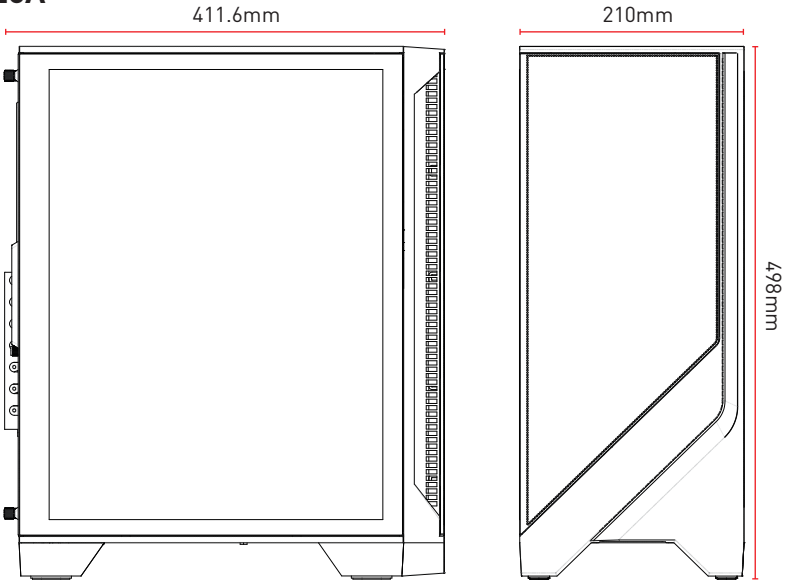


Side and Front View

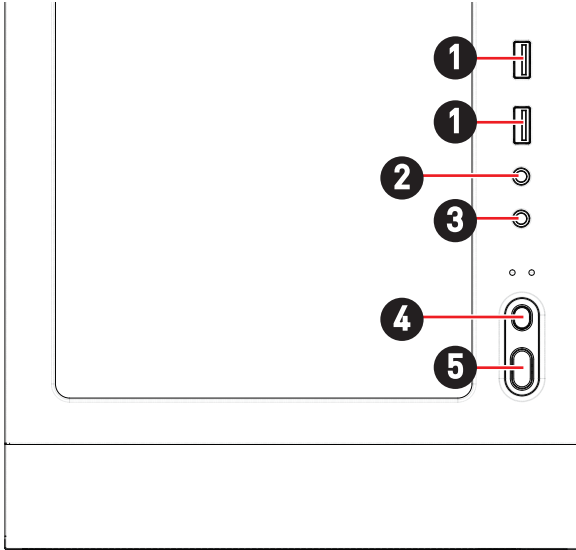
320R



120A

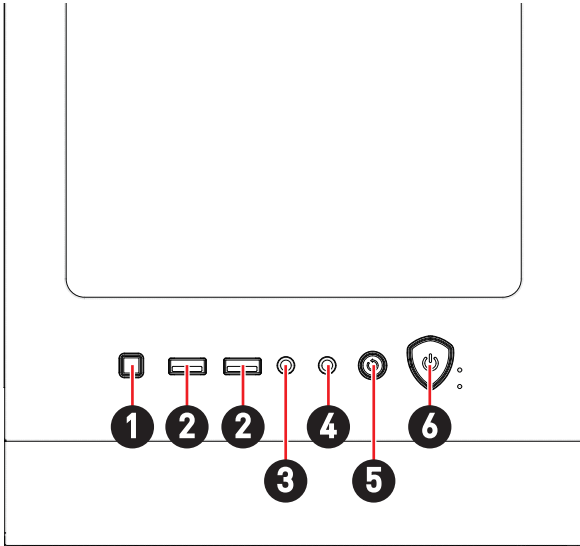


I/O and Buttons (320R)



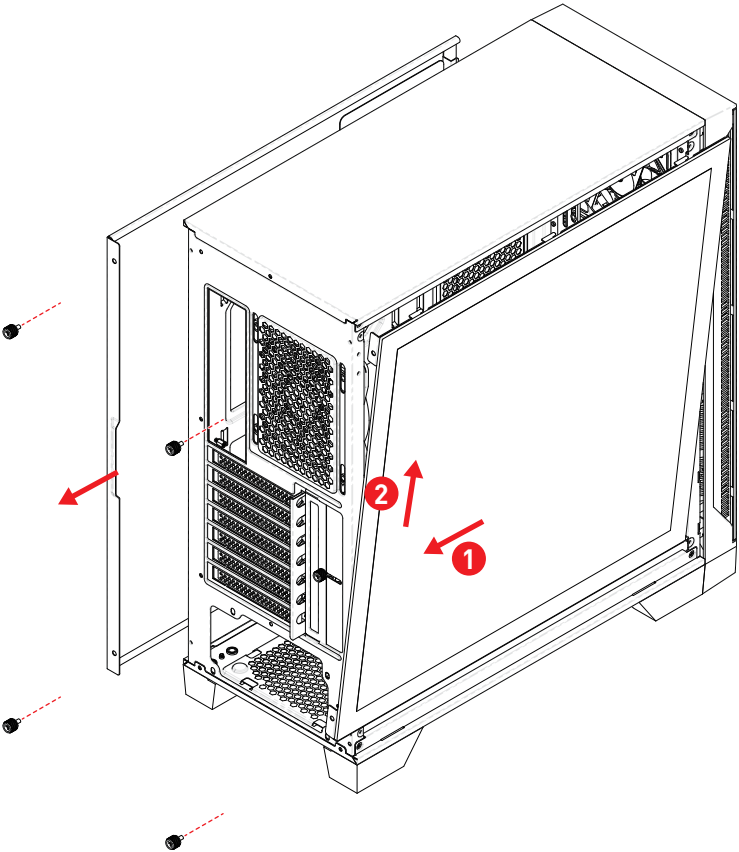
Item	Description
1	USB 3.2 Gen 1 5Gbps Type-A port
2	Microphone jack
3	Audio jack
4	LED switch button
5	Power button

I/O and Buttons (120A)

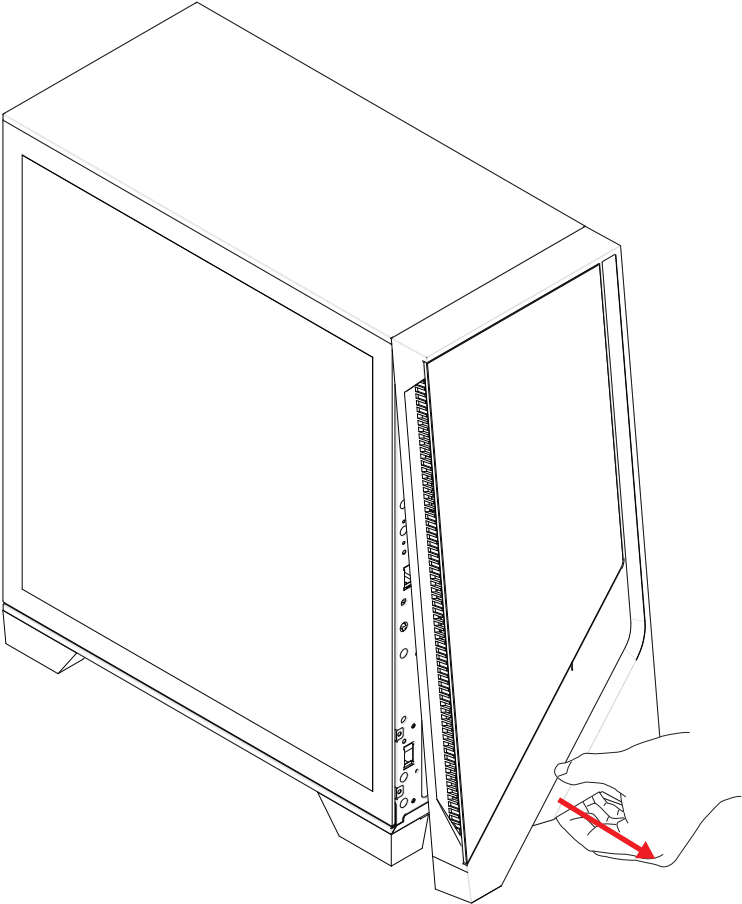


Item	Description
1	LED switch button
2	USB 3.2 Gen 1 5Gbps Type-A port
3	Microphone jack
4	Audio jack
5	Reset button
6	Power button

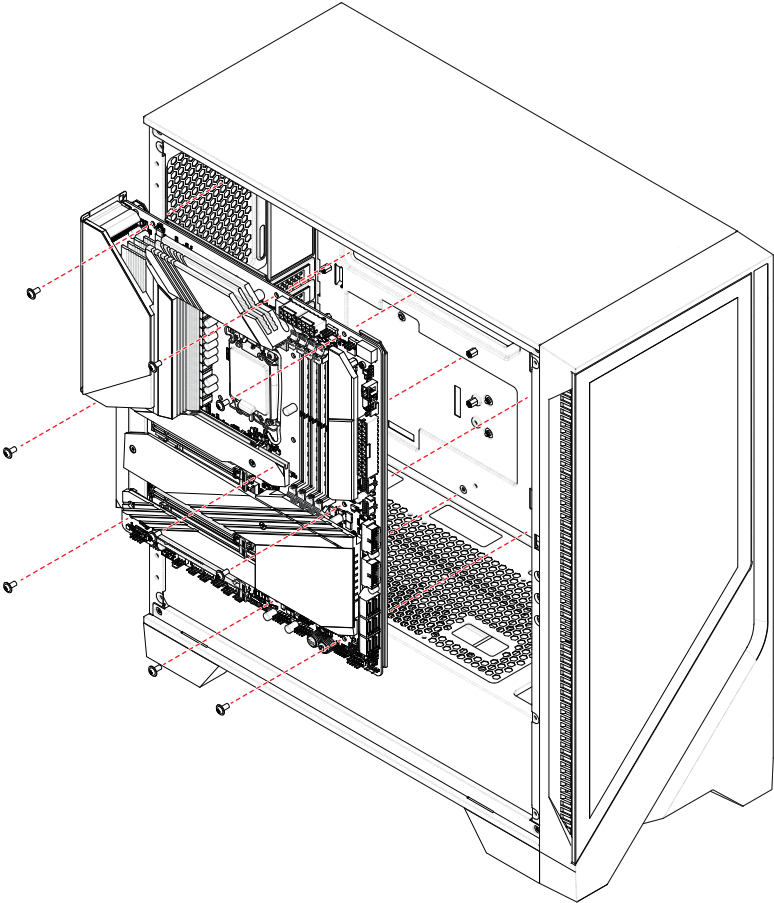
Side Panel Removal



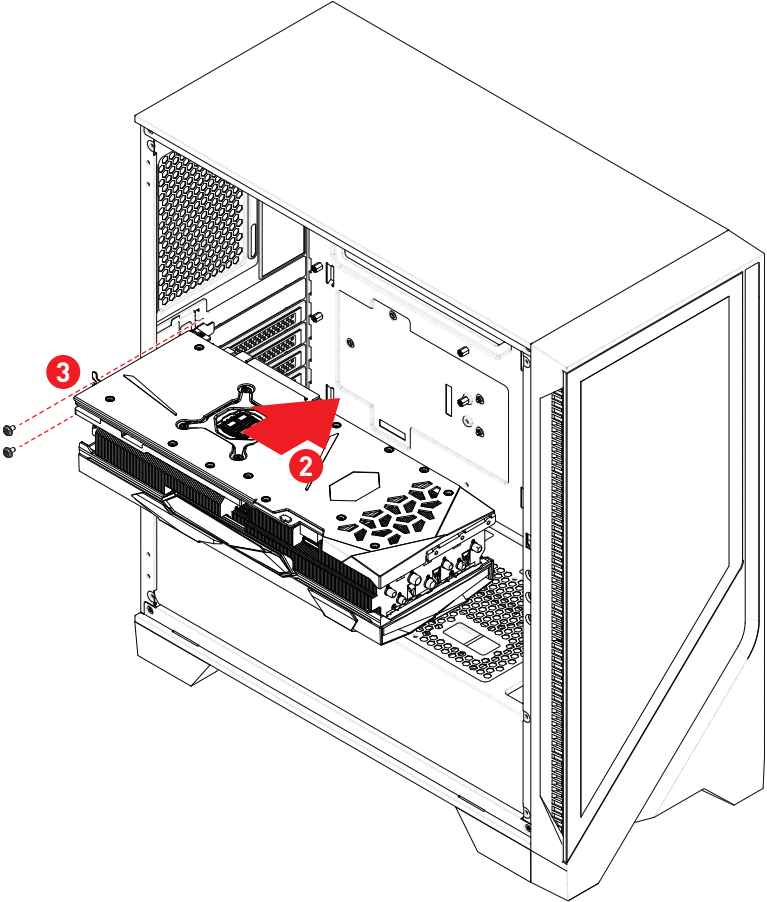
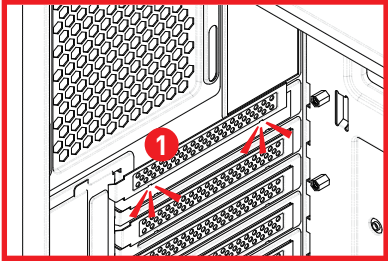
Front Bezel Removal



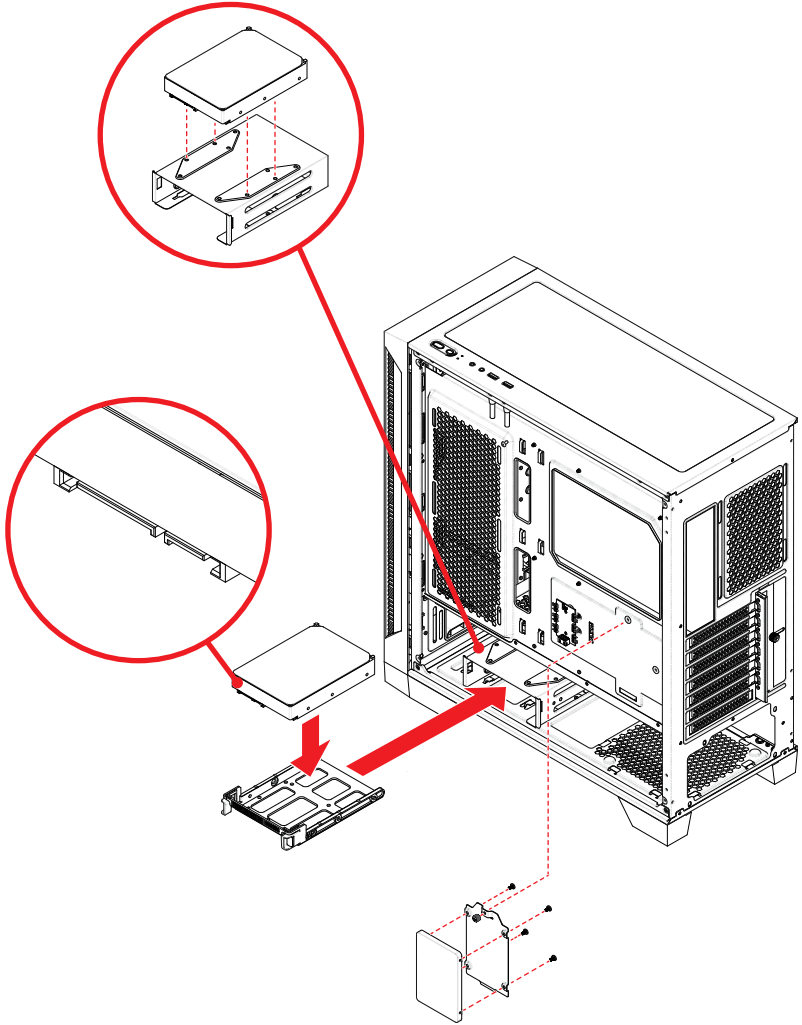
Motherboard Installation



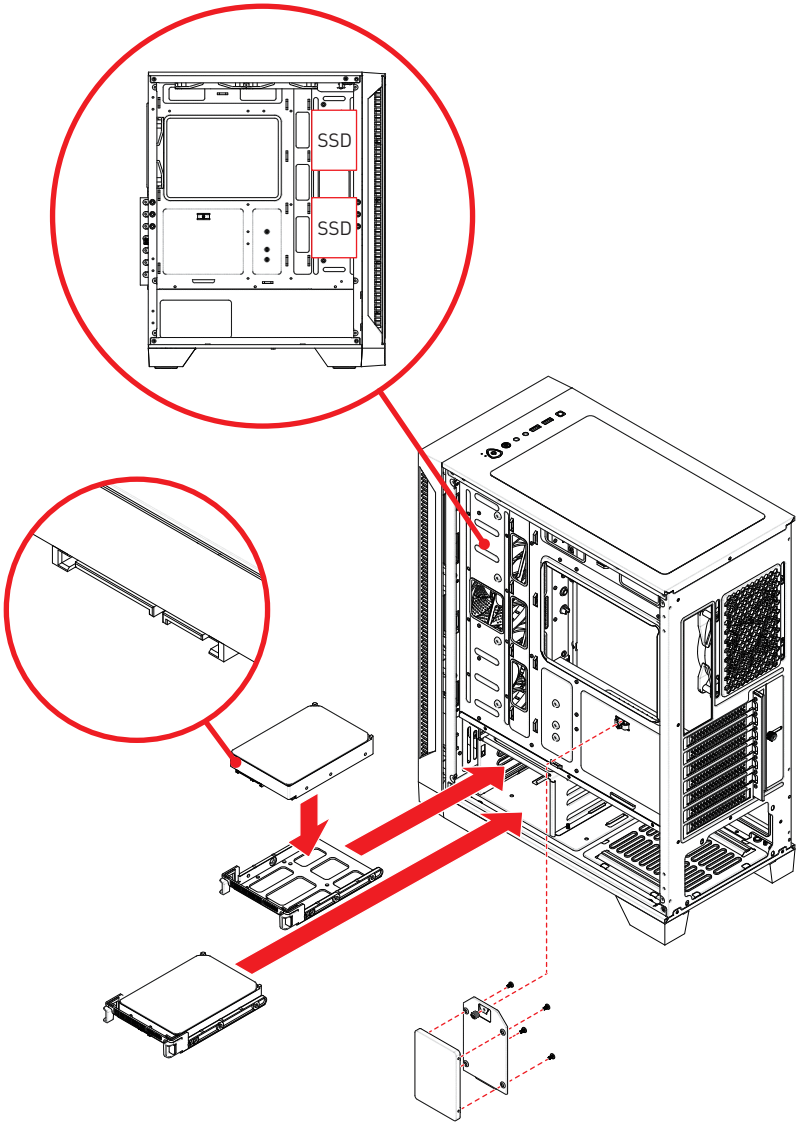
Graphics Card Installation



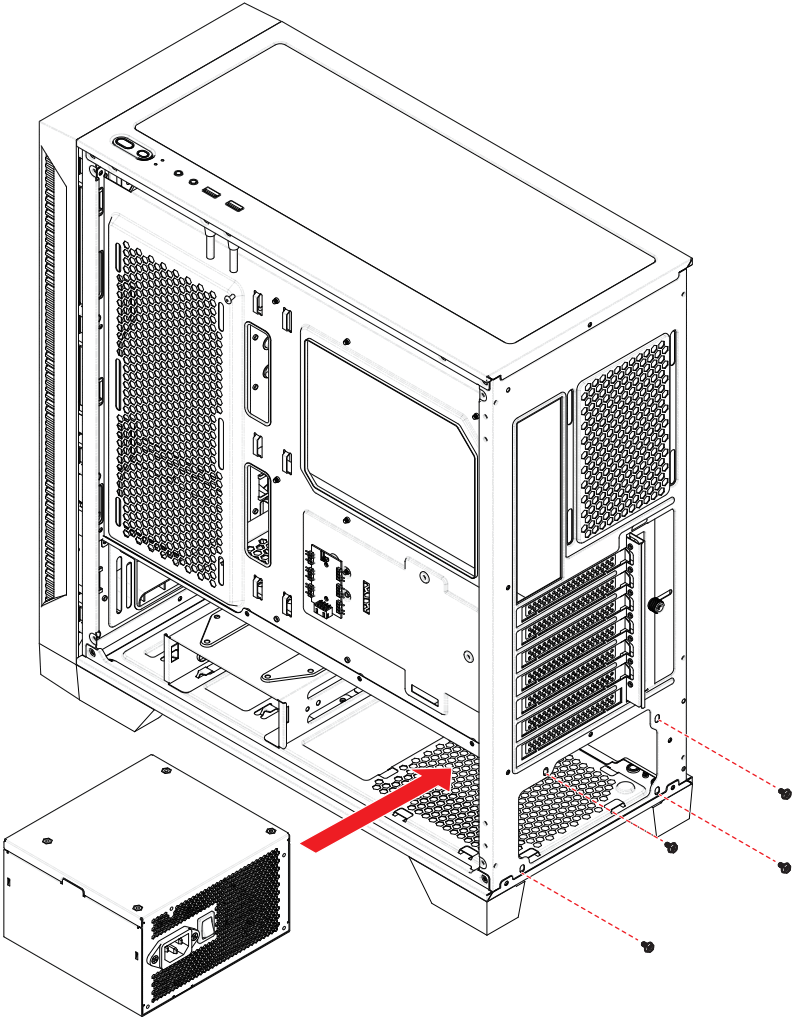
SSD & HDD Installation (320R)



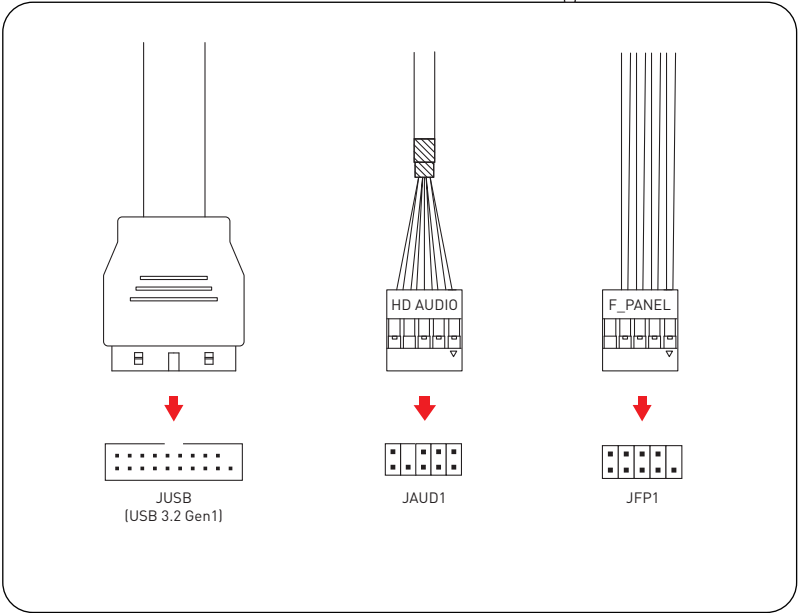
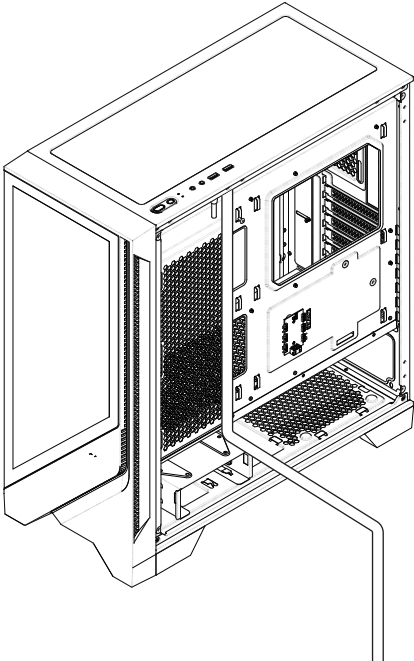
SSD & HDD Installation (120A)



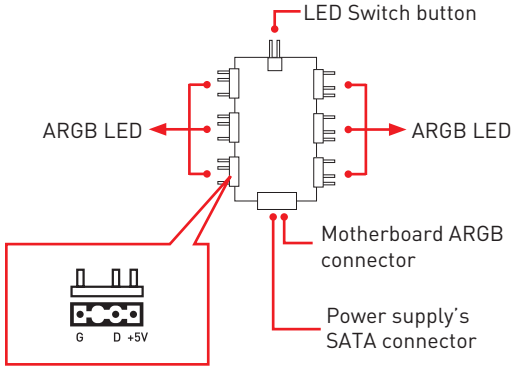
PSU Installation



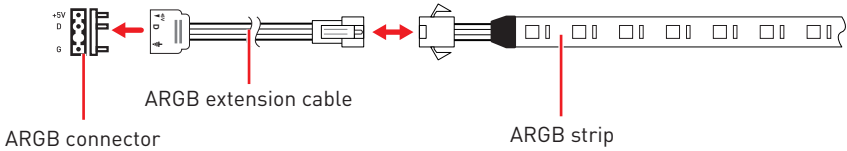
Top Panel I/O Connection



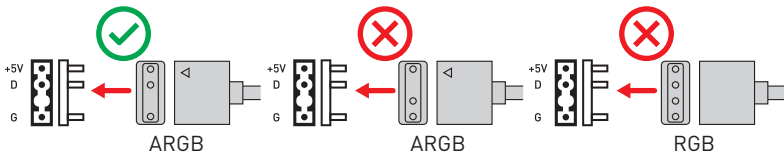
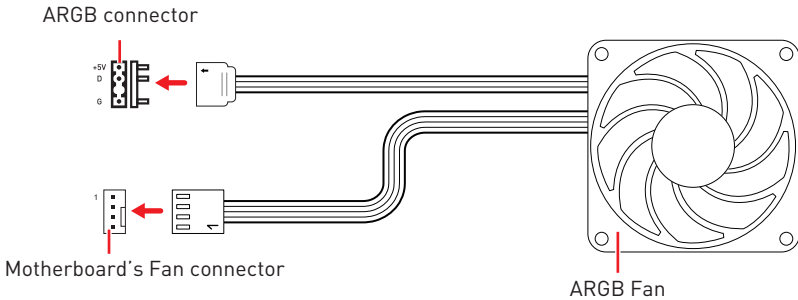
Control Board Connection (320R)



Addressable RGB LED Strip Connection



Addressable RGB LED Fan Connection



IMPORTANT

- Please always turn off the power supply and unplug the power cord from the power outlet before installing or removing the ARGB LED Strip.
- Supports a maximum of 128 LEDs. Exceeding this limit may result in overheating, abnormal colors, or malfunctions.
- Please ensure all cables are securely connected before powering on.

LED Switch Button Function (320R)

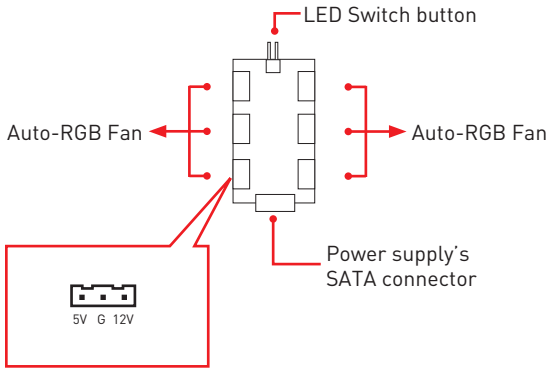
- Single press to toggle between LED effects.
- Long press for three seconds to sync with the motherboard.

LED Effect Sequence (320R)

After pressing the LED Switch button, the LED effect sequence is as follows:

1	Solid red
2	Solid green
3	Solid blue
4	Solid purple
5	Solid cyan
6	Solid yellow
7	Solid white
8	Rainbow color cycling
9	Color running effect
10	Gradient color transition effect
11	Rainbow color breathing
12	Color breathing
13	Rainbow flashing
14	Color flashing

Control Board Connection (120A)



IMPORTANT

- The control board's fan header is a special specification and is not compatible with standard ARGB and RGB fans.
- Please always turn off the power supply and unplug the power cord from the power outlet before installing or removing the Auto-RGB fan.
- Please ensure all cables are securely connected before powering on.

LED Switch Button Function (120A)

- Single press for RGB rainbow effect.
- Press again to turn off LED lighting.

General Information

Copyright and Trademarks Notice

Copyright © Micro-Star Int'l Co., Ltd. All rights reserved.

The MSI logo used is a registered trademark of Micro-Star Int'l Co., Ltd. All other marks and names mentioned may be trademarks of their respective owners. No warranty as to accuracy or completeness is expressed or implied. MSI reserves the right to make changes to this document without prior notice.

All text, images, illustrations, and other content in this manual are the property of MSI. No part of this manual may be reproduced, distributed, or used in any form without the written permission of MSI.

Revision History

- Version 1.0, 2023/08, First release.

