



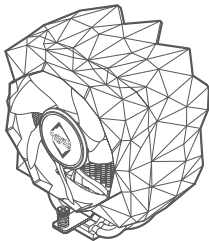
IceSLEET[®] X5

Quick Start Guide

Iceberg-Thermal.com

Box Content

A



x1

B



x4

C



x1

AMD

D



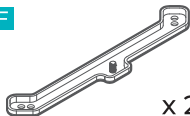
x4

E



x4

F



x2

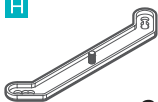
INTEL

G



x4

H



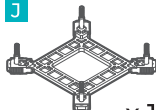
x2

I



x4

J



x1

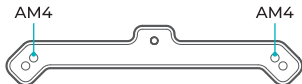
AMD

AM4

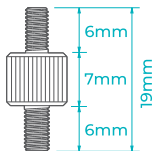
B



F



D

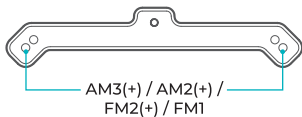


AM3(+)/AM2(+)/FM2(+)/FM1

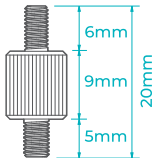
B



F

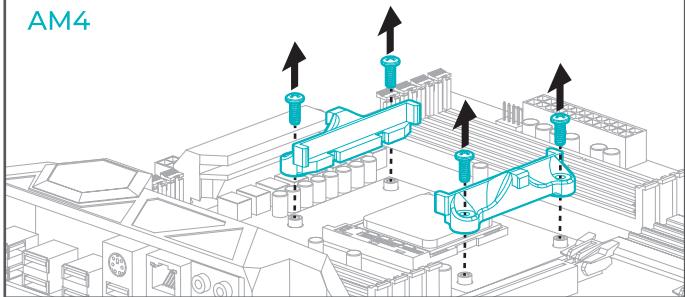


E

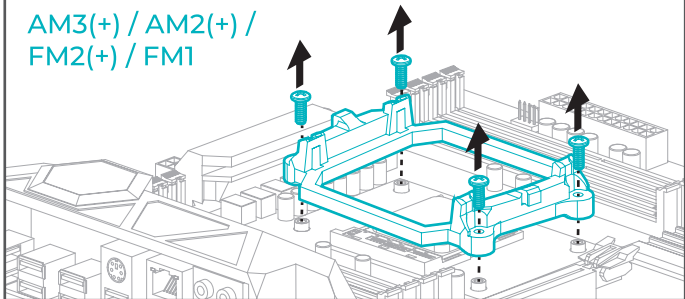


AMD

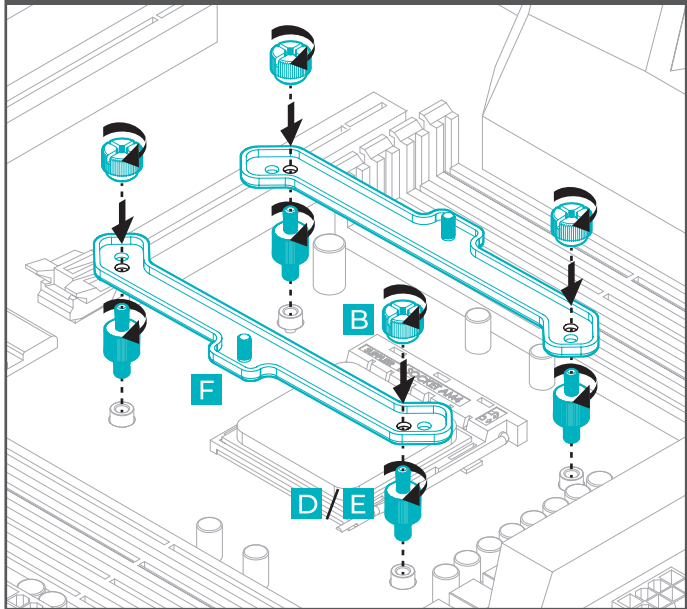
AM4



AM3(+) / AM2(+) / FM2(+) / FM1

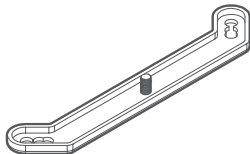
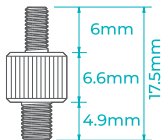


AMD

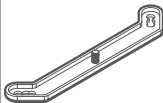
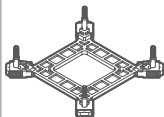


INTEL

LGA 2066 / 2011-0 / 2011-3 (Square ILM)

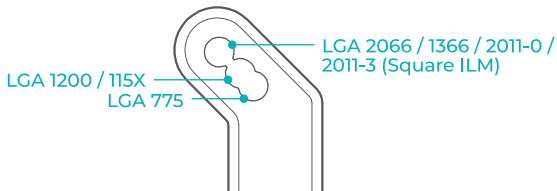
B**H****G**

LGA 1200 / 115X / 1366 / 775

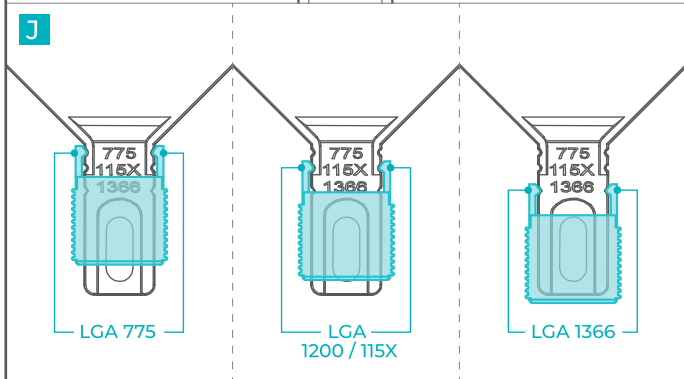
B**H****I****J**

INTEL

H

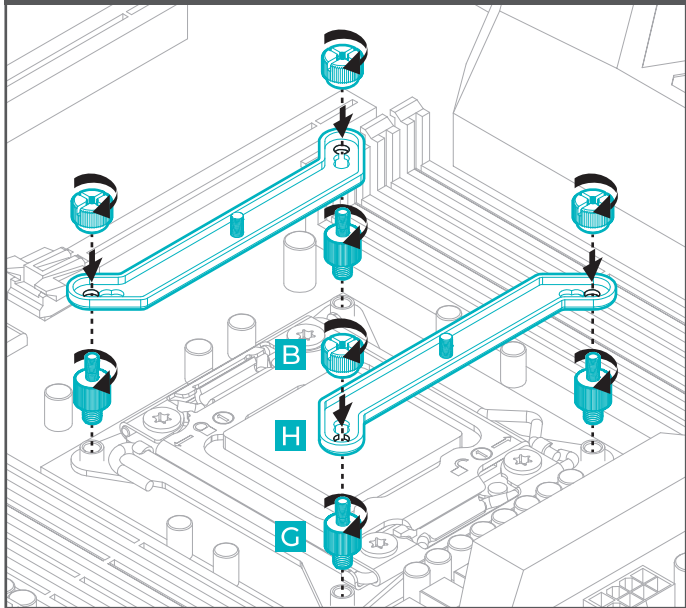


J



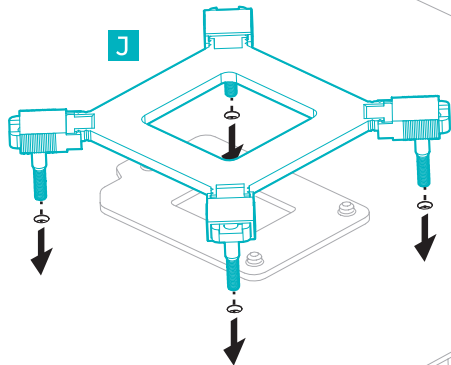
INTEL

LGA 2066 / 2011-0 / 2011-3 (Square ILM)



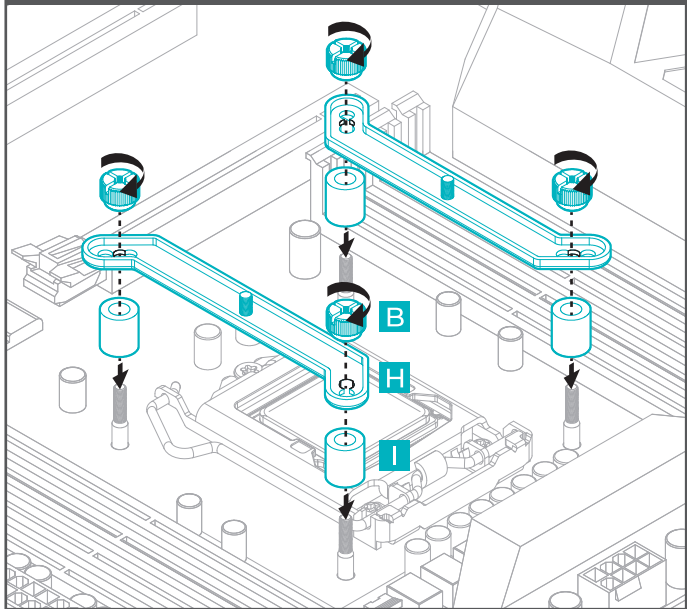
INTEL

LGA 1200 / 115X / 1366 / 775

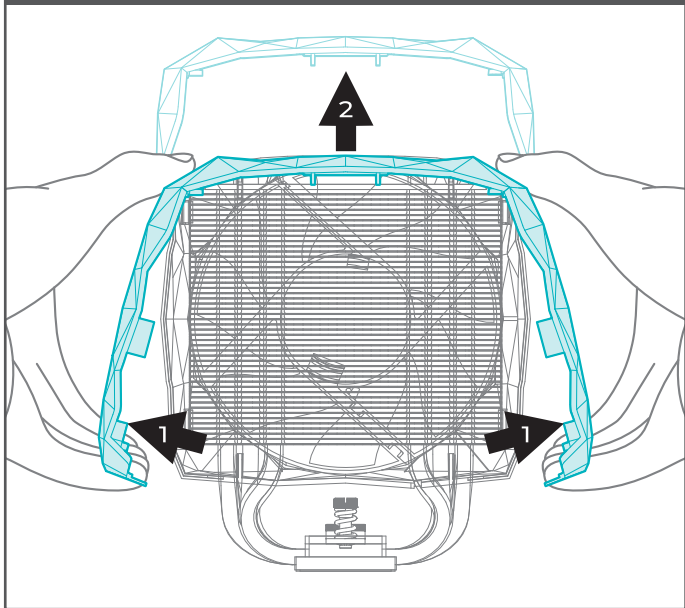


INTEL

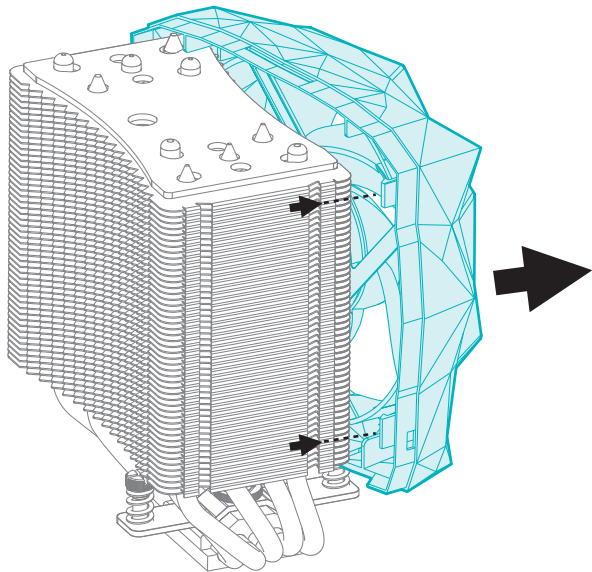
LGA 1200 / 115X / 1366 / 775



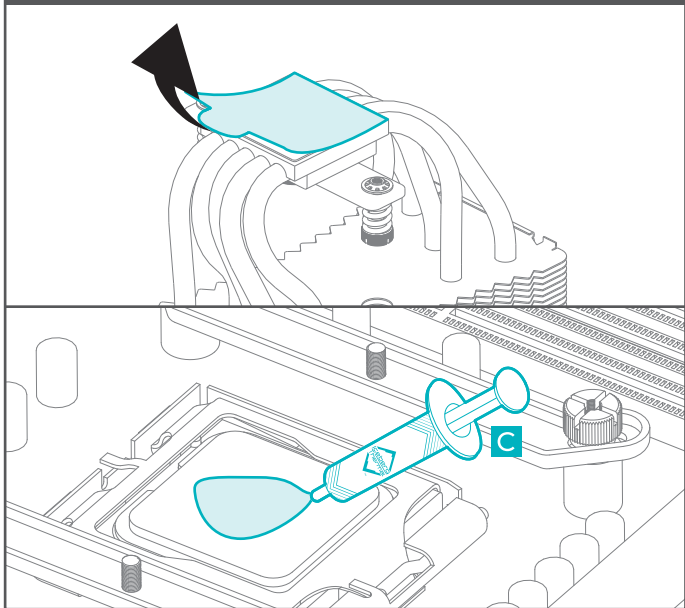
Step 1



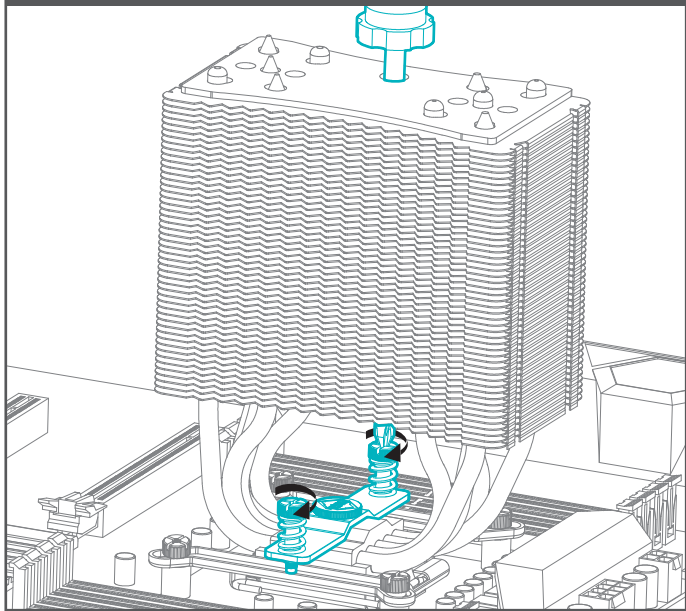
Step 2



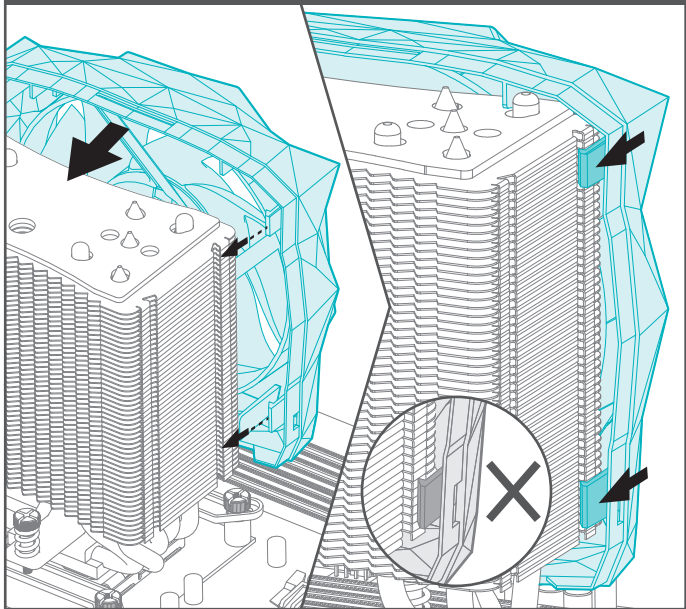
Step 3



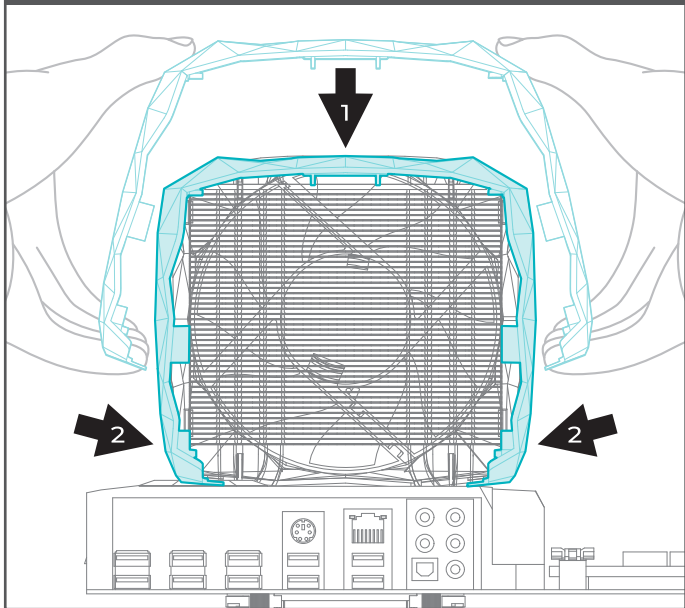
Step 4



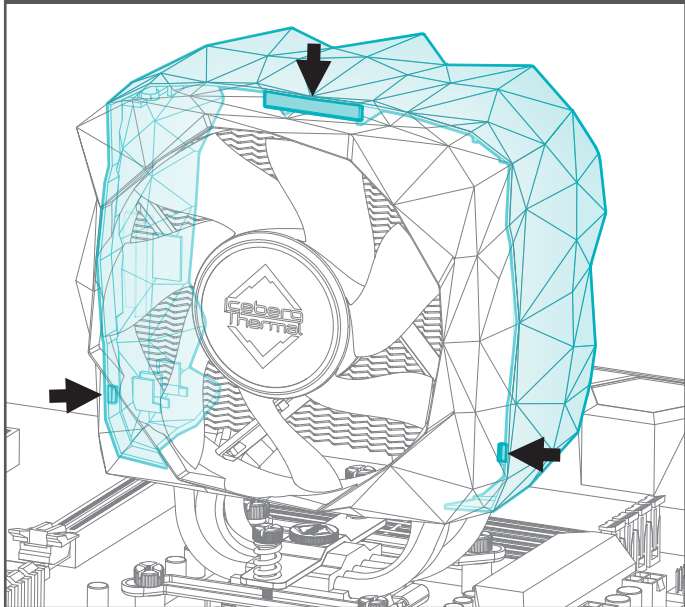
Step 5



Step 6



Step 7



Step 8

