

Performance X+ Series

ATX 3.0 Power Supplies 750W / 850W / 1050W / 1250W

The modular power supplies of the X+ Series are capable of quickly handling high load spikes above their normal rated power and comply with Intel's Design Guide 3.0. Therefore, these power supplies are excellently suited for operating the latest and most powerful gaming graphics cards with PCI Express 5 specifications. These power supplies feature high-quality Japanese capacitors, further emphasizing their high quality.

An 80+ Gold certification confirms a high efficiency and energy efficiency for this power supply series.

Six different protection circuits (OCP, OVP, UVP, SCP, OPP, OTP) ensure safe operation, even during intense gaming sessions. The fans of the ATX 3.0 power supplies operate with Fluid Dynamic Bearing Technology and are very quiet. Moreover, they impress with their extremely long lifespan and excellent cooling performance.

All of these specifications make the price-to-performance ratio of the X+ Series ideal for use in the latest gaming PC systems.



Product Features

	750 Watt	850 Watt	1050 Watt	1250 Watt
Fan Size	140mm	140mm	140mm	140mm
Measurements [H/W/D]	86 x 150 x 160mm	86 x 150 x 160mm	86 x 150 x 180mm	86 x 150 x 180mm
Cablemanagement	semi-modular	semi-modular	full-modular	full-modular
Cable/Sleeves black	Flat	Flat	Flat	Flat
Cable color	black	black	black	black
ATX 20+4 PIN	✓	✓	✓	✓
ATX 12V CPU P4+4	1	1	1	1
ATX 12V CPU P8	1	1	1	1
12VHPWR (PCIe Gen 5.0)	1	1	1	1
SATA	6	6	12	12
PCI-E (6+2 Pin)	3	3	3	3
HDD	3	3	4	4
Safety Circuit [OVP, UVP, OCP, OTP, SCP, OLP]	✓	✓	✓	✓
EcoPSU certificate	✓	✓	✓	✓
80+ certificate	80+ GOLD	80+ GOLD	80+ GOLD	80+ GOLD
ErP2014	✓	✓	✓	✓
ATX form	3.0	3.0	3.0	3.0
PFC	active	active	active	active

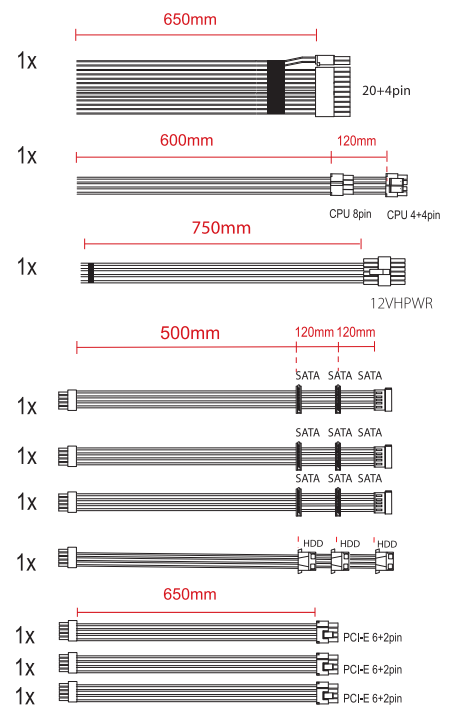


All trademarks and registered marks are the property of their respective companies. Errors excepted. Subject to change without prior notice. Images may differ from original product.

Performance X+ Series

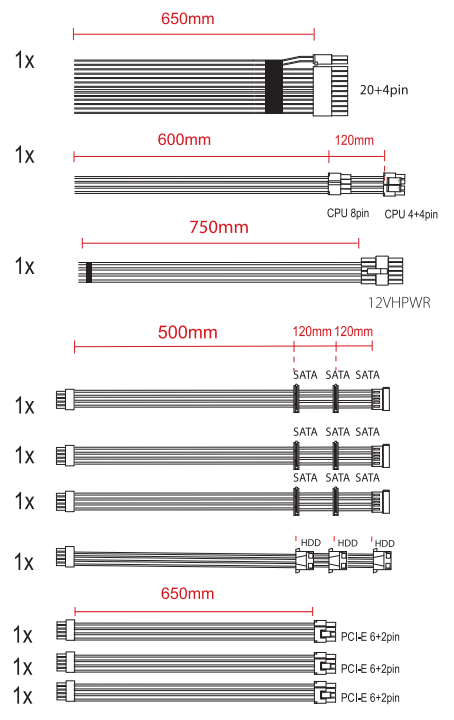
Technical Data | 750W | semi-modular

	AC INPUT	DC OUTPUT
XP750MR9.2	100 - 240V	+ 3.3V 20.0A
		+ 5.0V 20.0A
		+ 12.0V 62.5A
		- 12.0V 0.3A
		+ 5.0VSB 3.0A
Efficiencies		20% > 91%
		50% > 93%
		100% > 92%
Noise Level		20% ~ 18 db(A)
		50% ~ 19 db(A)
		100% ~ 31 db(A)



Technical Data | 850W | semi-modular

	AC INPUT	DC OUTPUT
XP850MR9.2	100 - 240V	+ 3.3V 20.0A
		+ 5.0V 20.0A
		+ 12.0V 70.8A
		- 12.0V 0.3A
		+ 5.0VSB 3.0A
Efficiencies		20% > 92%
		50% > 93%
		100% > 92%
Noise Level		20% ~ 19 db(A)
		50% ~ 20 db(A)
		100% ~ 31 db(A)

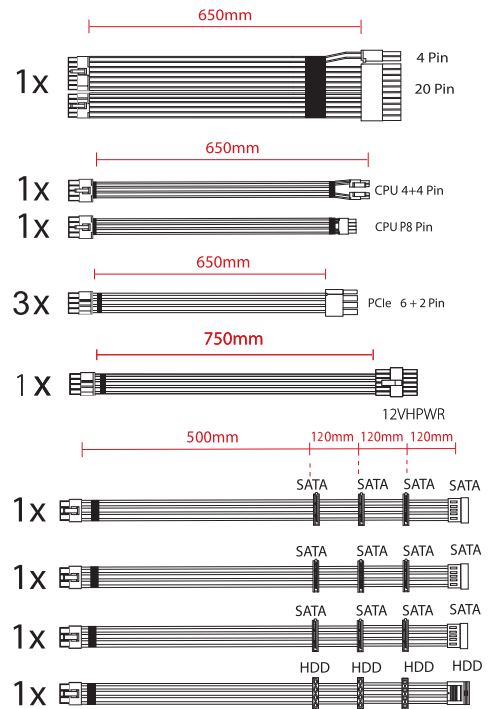


All trademarks and registered marks are the property of their respective companies. Errors excepted. Subject to change without prior notice. Images may differ from original product.

Performance X+ Series

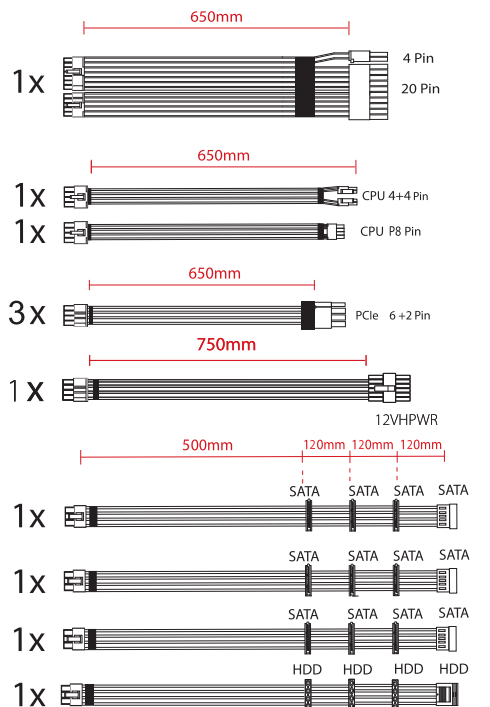
Technical Data | 1050W | full-modular

	AC INPUT	DC OUTPUT
XP1050MR9.2	100 - 240V	+ 3.3V 20.0A
		+ 5.0V 20.0A
		+ 12.0V 87.5A
		- 12.0V 0.3A
		+ 5.0VSB 3.0A
Efficiencies	115V / 230V	20% > 87% / 90%
		50% > 90% / 92%
		100% > 87% / 89%
Noise Level		20% ~ 18 db(A)
		50% ~ 19 db(A)
		100% ~ 31 db(A)



Technical Data | 1250W | full-modular

	AC INPUT	DC OUTPUT
XP1250MR9.2	100 - 240V	+ 3.3V 20.0A
		+ 5.0V 20.0A
		+ 12.0V 104.1A
		- 12.0V 0.3A
		+ 5.0VSB 3.0A
Efficiencies	115V / 230V	20% > 87% / 90%
		50% > 90% / 92%
		100% > 87% / 89%
Noise Level		20% ~ 19 db(A)
		50% ~ 20 db(A)
		100% ~ 31 db(A)



Logistical Data

Manufacturer Number	XP750MR9.2	XP850MR9.2	XP1050MR9.2	XP1250MR9.2
Item Number	XN173	XN174	XN176	XN178
EAN Barcode	4044953503740	4044953503764	4044953503498	4044953503511



All trademarks and registered marks are the property of their respective companies. Errors excepted. Subject to change without prior notice. Images may differ from original product.