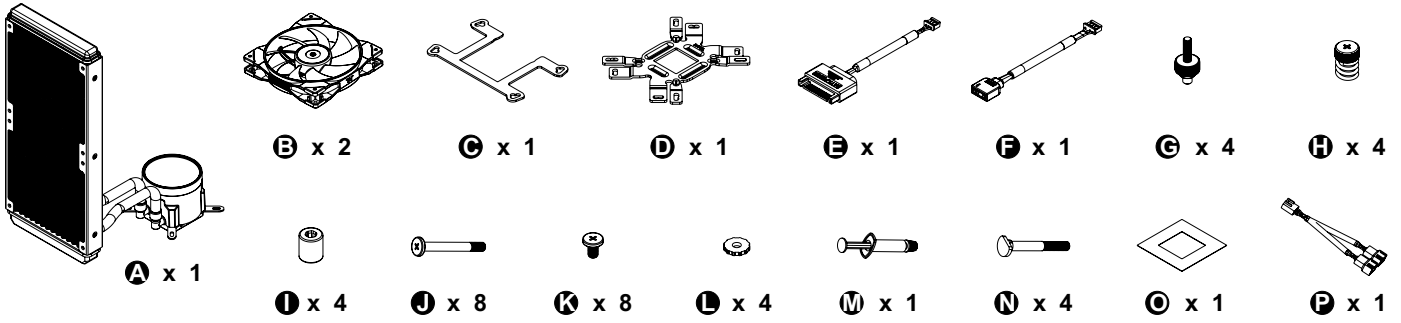
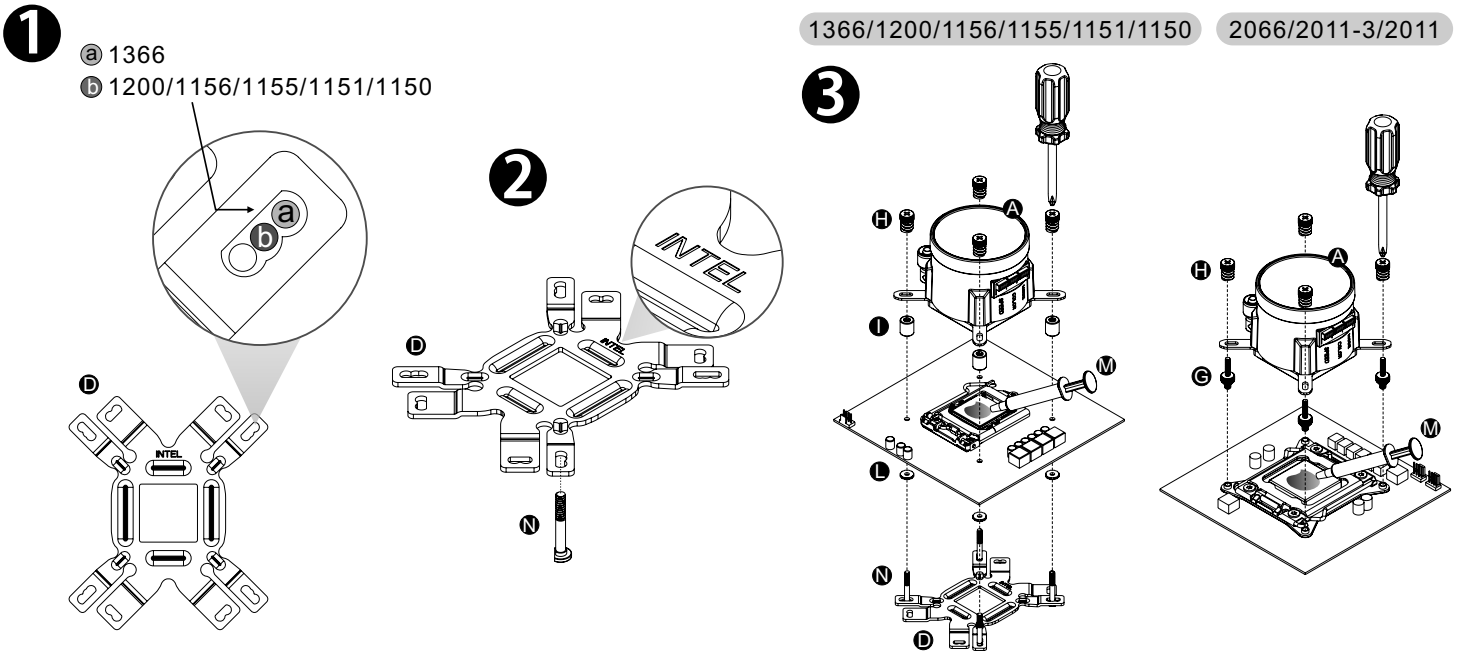


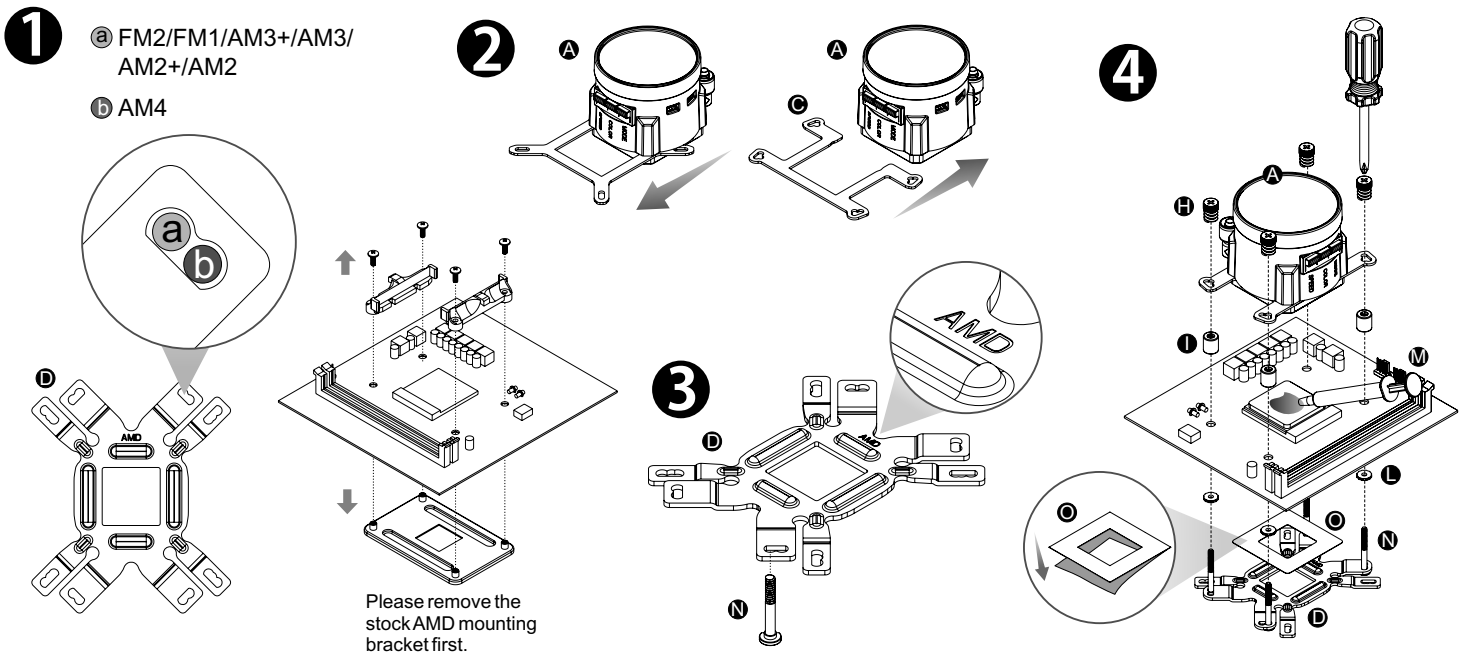
### Parts List



### Intel Installation Guide

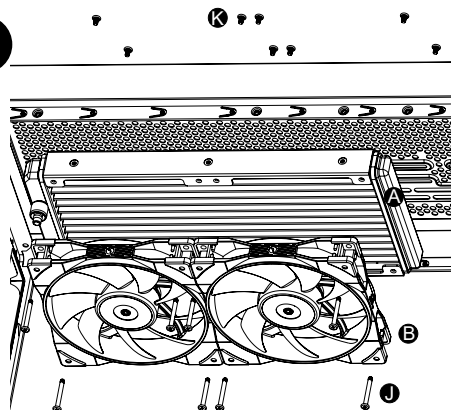


### AMD Installation Guide



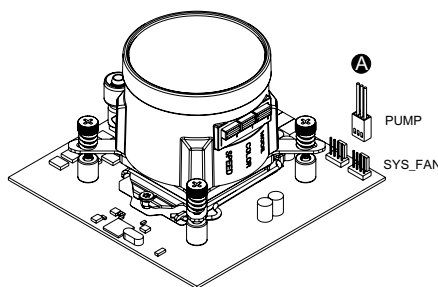
# Installation Guide

1

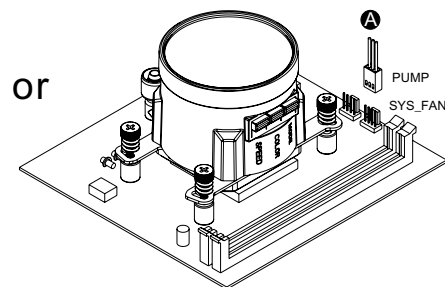


2

Intel

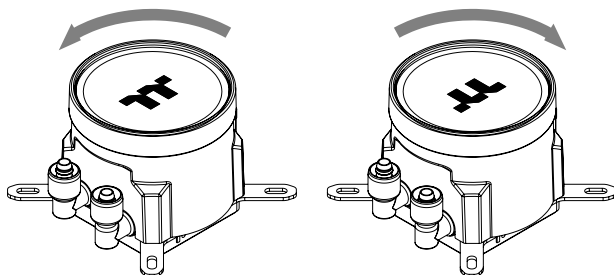


AMD



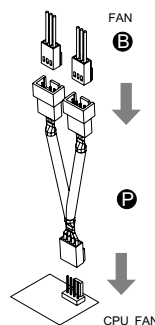
or

3



A rotatable LED cap built-in waterblock accommodates re-orienting the logo no matter the direction the cooler is installed

4

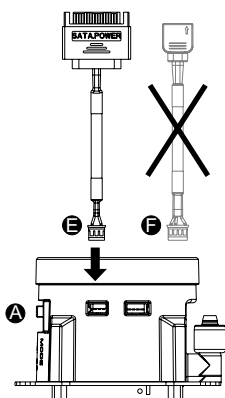


## ARGB Controller Installation Guide

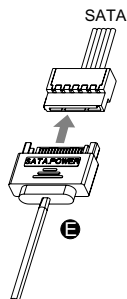
1

### CAUTION

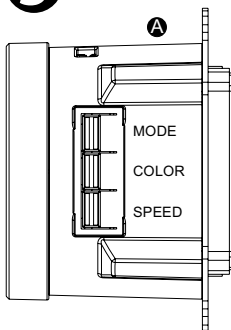
To use the ARGB Controller, please only connect Cable E to the water block



2



3



### 1. Light Mode:

Switch over between 7 LED modes.

Rainbow → Full light → RGB Spectrum → Off → Flow → Radar → Pulse → Blink

### 2. Color Mode:

**When light mode is in Full Lighted, Pulse and Blink :**

Switch over 8 LED colors .

Red → Yellow → Green → Teal → Blue → White → Purple → Rainbow

**When light mode is in Ripple :**

Switch over 7 LED colors .

Red → Yellow → Green → Teal → Blue → White → Purple

**When light mode is in RGB Spectrum:**

Click to memorize and lock the color you want, click again to unlock the 256 colors auto rotation.

**When light mode is in Wave and Flow :**

LED color can not be adjusted.

### 3. Light Speed:

Switch over between 4 light modes.

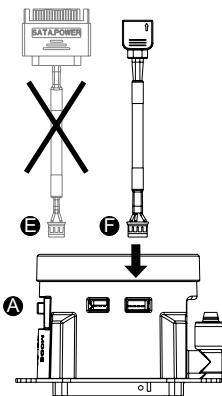
Slow → Normal → Fast → Extreme

## MB SYNC Installation Guide

### CAUTION

- To use Motherboard RGB Software, please only connect Cable F to the water block
- Please power off the PC and check the Positive and Negative ends on the connector before connecting the cable to the mainboard. Connecting the wrong end can damage the product.

1



2

