



## FCC Information and Copyright

This equipment has been tested and found to comply with the limits of a Class B digital device, pursuant to Part 15 of the FCC Rules. These limits are designed to provide reasonable protection against harmful interference in a residential installation. This equipment generates, uses, and can radiate radio frequency energy and, if not installed and used in accordance with the instructions, may cause harmful interference to radio communications. There is no guarantee that interference will not occur in a particular installation.

The vendor makes no representations or warranties with respect to the contents here and specially disclaims any implied warranties of merchantability or fitness for any purpose. Further the vendor reserves the right to revise this publication and to make changes to the contents here without obligation to notify any party beforehand.

Duplication of this publication, in part or in whole, is not allowed without first obtaining the vendor's approval in writing.

The content of this user's manual is subject to be changed without notice and we will not be responsible for any mistakes found in this user's manual. All the brand and product names are trademarks of their respective companies.



Dichiarazione di conformità sintetica  
Ai sensi dell'art. 2 comma 3 del D.M. 275 del  
30/10/2002

Si dichiara che questo prodotto è conforme  
alle normative vigenti e soddisfa i requisiti  
essenziali richiesti dalle direttive  
2004/108/CE, 2006/95/CE e 1999/05/CE  
quando ad esso applicabili

Short Declaration of conformity

We declare this product is complying with the  
laws in force and meeting all the essential  
requirements as specified by the directives  
2004/108/CE, 2006/95/CE and 1999/05/CE  
whenever these laws may be applied

# Table Of Contents

<b>FCC Information and Copyright .....</b>	<b>1</b>
<b>Chapter 1: Introduction.....</b>	<b>3</b>
1.1 Before You Start .....	3
1.2 Package Checklist.....	3
1.3 Specifications.....	4
1.4 Rear Panel Connectors.....	5
1.5 Motherboard Layout .....	6
<b>Chapter 2: Hardware installation.....</b>	<b>7</b>
2.1 Install Central Processing Unit (CPU) .....	7
2.2 Install a Heatsink.....	9
2.3 Connect Cooling Fans .....	10
2.4 Install System Memory .....	10
2.5 Expansion Slots.....	12
2.6 Jumper & Switch Setting.....	13
2.7 Headers & Connectors.....	14
<b>Chapter 3: UEFI BIOS &amp; Software.....</b>	<b>18</b>
3.1 UEFI BIOS Setup.....	18
3.2 BIOS Update.....	18
3.3 Software.....	22
<b>Chapter 4: Useful help.....</b>	<b>23</b>
4.1 Driver Installation .....	23
4.2 AMI BIOS Beep Code.....	24
4.3 AMI BIOS post code .....	24
4.4 Troubleshooting.....	26
<b>APPENDIX I: Specifications in Other Languages .....</b>	<b>27</b>
Arabic.....	27
German.....	28
Russian.....	29
Spanish .....	30
Thai .....	31
Japan.....	32

# Chapter 1: Introduction

## 1.1 Before You Start

Thank you for choosing our product. Before you start installing the motherboard, please make sure you follow the instructions below:

- Prepare a dry and stable working environment with sufficient lighting.
- Always disconnect the computer from power outlet before operation.
- Before you take the motherboard out from anti-static bag, ground yourself properly by touching any safely grounded appliance, or use grounded wrist strap to remove the static charge.
- Avoid touching the components on motherboard or the rear side of the board unless necessary. Hold the board on the edge, do not try to bend or flex the board.
- Do not leave any unfastened small parts inside the case after installation. Loose parts will cause short circuits which may damage the equipment.
- Keep the computer from dangerous area, such as heat source, humid air and water.
- The operating temperatures of the computer should be 0 to 45 degrees Celsius.
- To avoid injury, be careful of:
  - Sharp pins on headers and connectors
  - Rough edges and sharp corners on the chassis
  - Damage to wires that could cause a short circuit

## 1.2 Package Checklist

- Serial ATA Cable x2
- Rear I/O Panel for ATX Case x1
- Quick Installation Guide x1
- Fully Setup Driver DVD x1

---

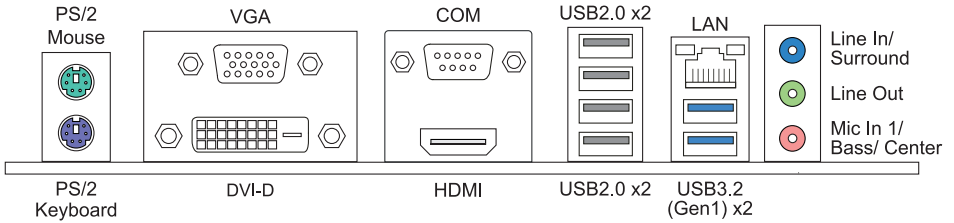
**Note**

- » *The package contents may be different due to the sales region or models in which it was sold. For more information about the standard package in your region, please contact your dealer or sales representative.*
-

## 1.3 Specifications

Specifications	
CPU Support	Socket 1200 for 10th Gen Intel® Core™, Pentium and Celeron processors * 10th Generation Intel® Core™ Processor Family only support 400-Series. * Please refer to <a href="http://www.biostar.com.tw">www.biostar.com.tw</a> for CPU support list.
Chipset	INTEL® H410
Memory	Supports Dual Channel DDR4 1866/ 2133/ 2400/ 2666/ 2933 2x DDR4 DIMM Memory Slot, Max. Supports up to 64 GB Memory Each DIMM supports non-ECC 4/8/16/32GB DDR4 module * Please refer to <a href="http://www.biostar.com.tw">www.biostar.com.tw</a> for Memory support list.
Storage	4x SATA III Connector (6Gb/s) 1x M.2 (M Key) Socket: Supports M.2 Type 2242/ 2260/ 2280 SSD module. Supports PCI-E 2.0 x2 (10Gb/s) - NVMe/ AHCI SSD & SATA III (6Gb/s) SSD * When using SATA SSD module on PCIe-M2 slot, the SATA_1 connector will be disabled.
LAN	RTL8111H 10/ 100/ 1000 Mb/s auto negotiation, Half / Full duplex capability
Audio Codec	ALC887 7.1 Channels, High Definition Audio
USB	4x USB 3.2(Gen1) port (2 on rear I/Os and 2 via internal headers) 8x USB 2.0 port (4 on rear I/Os and 4 via internal headers)
Expansion Slots	1x PCI Slot 2x PCIe 2.0 x1 Slot 1x PCIe 3.0 x16 Slot
Rear I/Os	1x PS/2 Keyboard 1x PS/2 Mouse 1x DVI-D Port 1x VGA Port 1x HDMI Port 1x COM Port 2x USB 3.2 (Gen1) Port 4x USB 2.0 Port 1x LAN port 3x Audio Jack
Internal I/Os	4x SATA III Connector (6Gb/s) 2x USB 2.0 Header (each header supports 2 USB 2.0 ports) 1x USB 3.2 (Gen1) Header (each header supports 2 USB 3.2 (Gen1) ports) 1x 8-Pin Power Connector 1x 24-Pin Power Connector 1x CPU Fan Connector 2x System Fan Connector 1x Front Panel Header 1x Front Audio Header 1x Clear CMOS Header 1x Printer Port Header 1x COM Port Header 1x TPM Header
Form Factor	µATX Form Factor, 244 mm x 191 mm
OS Support	Windows 10(64bit) * Biostar reserves the right to add or remove support for any OS with or without notice.

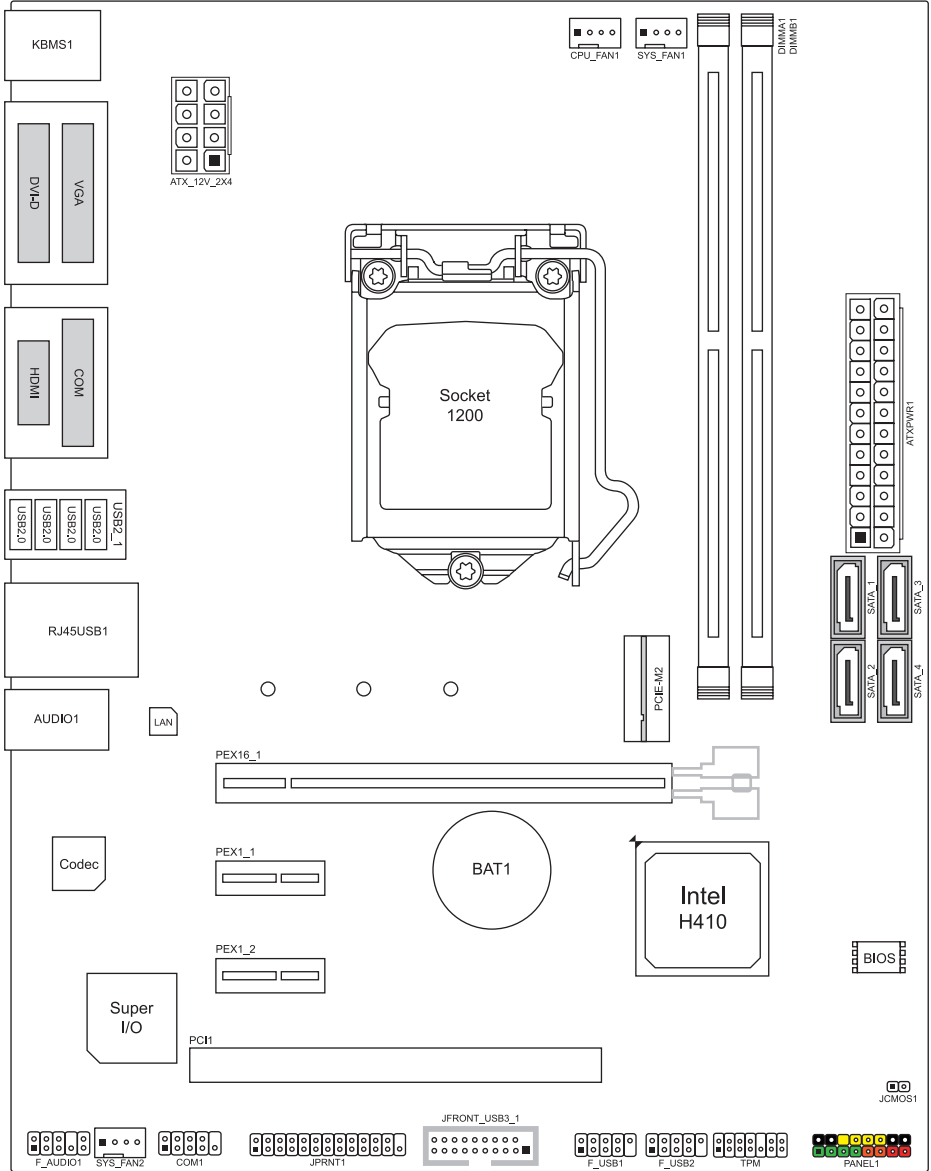
## 1.4 Rear Panel Connectors



### Note

- » VGA/ DVI-D/ HDMI ports only work with an Intel® integrated Graphics Processor.
- » Maximum resolution  
VGA: 1920 x 1200 @60Hz  
DVI-D: 1920 x 1200 @60Hz  
HDMI: 4096 x 2160 @24Hz, compliant with HDMI 1.4
- » When using the front HD audio jack and plug in the headset / microphone , the rear sound will be automatically Disabled.
- » The mainboard supports two onboard display outputs at same time and the display output configuration can be selected in Intel graphics driver utility.
- » To configure 7.1-channel audio, you have to use a chassis with HD front panel audio module and enable the multi-channel audio feature through O.S. Audio Utility.

# 1.5 Motherboard Layout



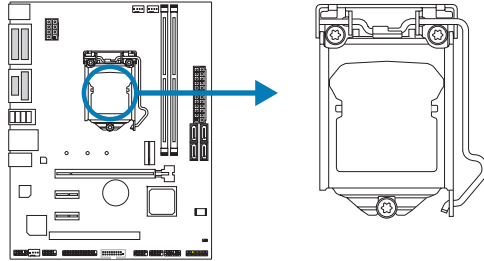
**Note**

» ■ represents the 1st pin.

## Chapter 2: Hardware installation

### 2.1 Install Central Processing Unit (CPU)

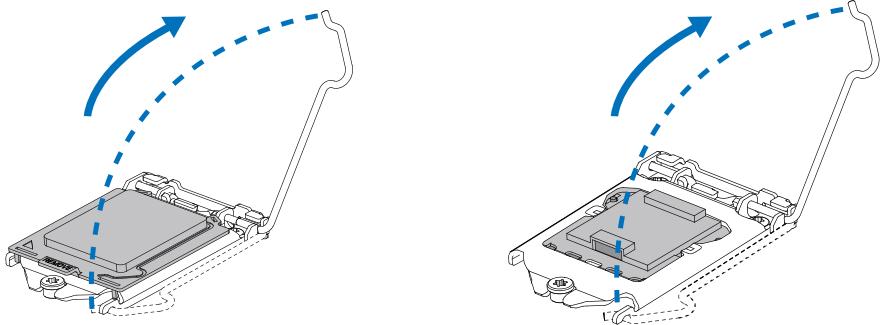
Step 1: Locate the CPU socket on the motherboard



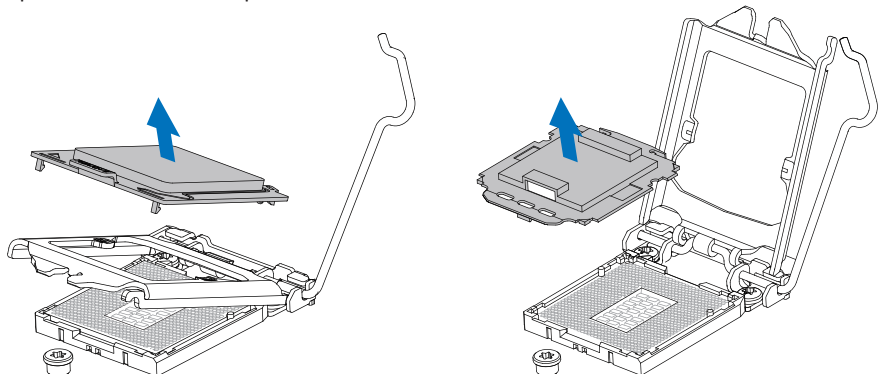
#### Note

- » Remove pin cap before installation, and make good preservation for future use. When the CPU is removed, cover the pin cap on the empty socket to ensure pin legs won't be damaged.
- » The motherboard might equip with two different types of pin cap. Please refer below instruction to remove the pin cap.

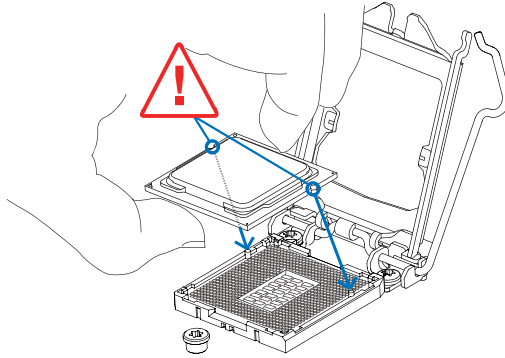
Step 2: Pull the socket locking lever out from the socket and then raise the lever up.



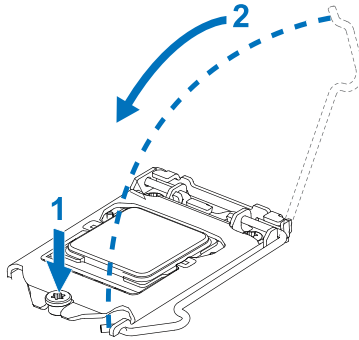
Step 3: Remove the Pin Cap.



Step 4: Hold processor with your thumb and index fingers, oriented as shown. Align the notches with the socket. Lower the processor straight down without tilting or sliding the processor in the socket.



Step 5: Hold the CPU down firmly, and then lower the lever to locked position to complete the installation.



---

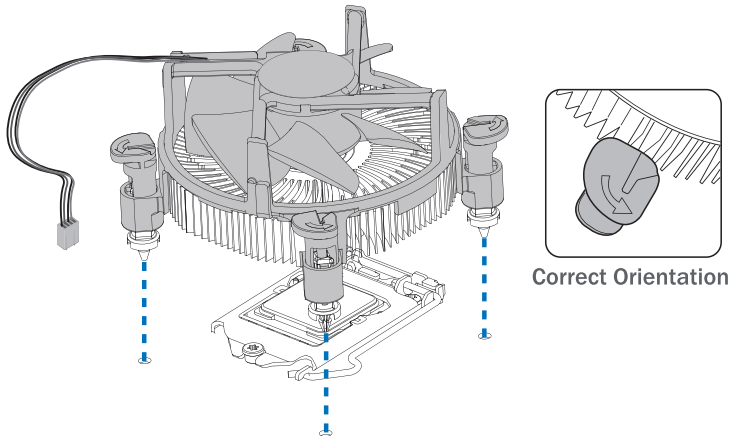
**Note**

- » Ensure that you install the correct CPU designed for LGA1200 socket.
  - » The CPU fits only in one correct orientation. Do not force the CPU into the socket to prevent damaging the CPU.
-

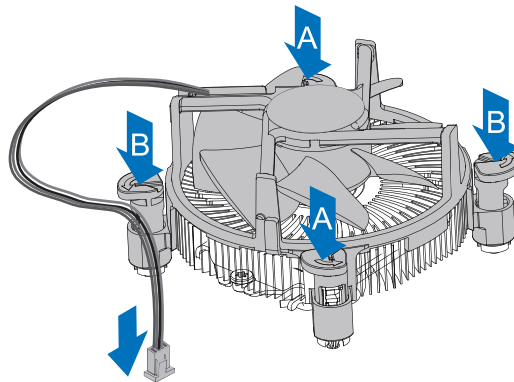


## 2.2 Install a Heatsink

Step 1: Place the CPU fan assembly on top of the installed CPU and make sure that the four fasteners match the motherboard holes. Orient the assembly and make the fan cable is closest to the CPU fan connector.



Step 2: Press down two fasteners at one time in a diagonal sequence to secure the CPU fan assembly in place. As each fastener locks into position a click should be heard.



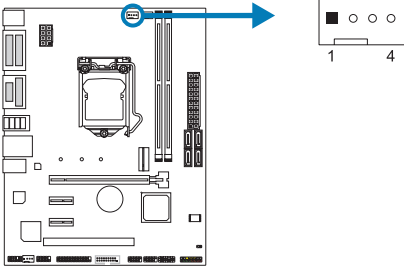
### Note

- » Apply the thermal interface material on the CPU before heatsink installation, if necessary.
- » Do not forget to connect the CPU fan connector.
- » For proper installation, please kindly refer to the installation manual of your CPU heatsink.

## 2.3 Connect Cooling Fans

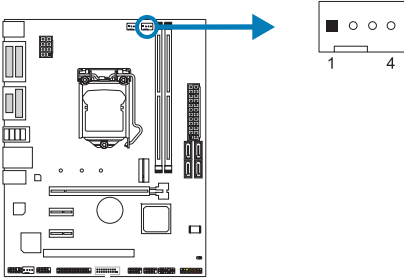
These fan headers support cooling-fans built in the computer. The fan cable and connector may be different according to the fan manufacturer.

### CPU\_FAN1: CPU Fan Header



Pin	Assignment
1	Ground
2	+12V
3	FAN RPM rate sense
4	Fan Control

### SYS\_FAN1: System Fan Header



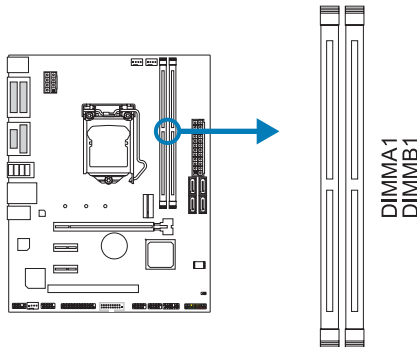
Pin	Assignment
1	Ground
2	+12V
3	FAN RPM rate sense
4	Fan Control

#### Note

- » CPU\_FAN1, SYS\_FAN1 support 4-pin and 3-pin head connectors. When connecting with wires onto connectors, please note that the red wire is the positive and should be connected to pin#2, and the black wire is Ground and should be connected to pin#1(GND).

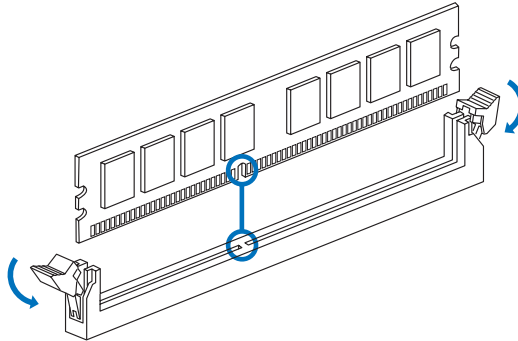
## 2.4 Install System Memory

### DDR4 Modules

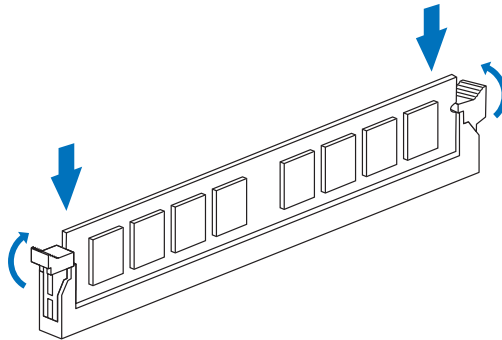


DIMMA1  
DIMMB1

Step 1: Unlock a DIMM slot by pressing the retaining clips outward. Align a DIMM on the slot such that the notch on the DIMM matches the break on the slot.



Step 2: Insert the DIMM vertically and firmly into the slot until the retaining clips snap back in place and the DIMM is properly seated.



#### Note

» If the DIMM does not go in smoothly, do not force it. Pull it all the way out and try again.

## Memory Capacity

DIMM Socket Location	DDR4 Module	Total Memory Size
DIMMA1	4GB/8GB/16GB/32GB	Max is 64GB.
DIMMB1	4GB/8GB/16GB/32GB	

## Dual Channel Memory Installation

Please refer to the following requirements to activate Dual Channel function:  
Install memory module of the same density in pairs, shown in the table.

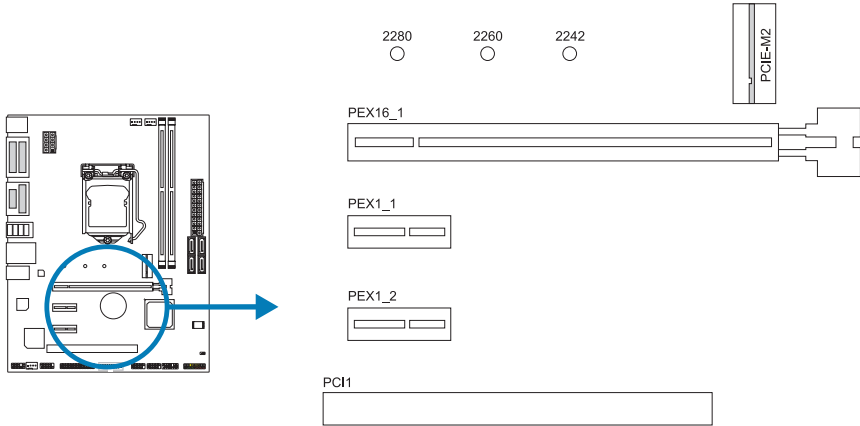
Dual Channel Status	DIMMA1	DIMMB1
Disabled	O	X
Disabled	X	O
Enabled	O	O

(O means memory installed, X means memory not installed.)

#### Note

» When installing more than one memory module, we recommend to use the same brand and capacity memory on this motherboard.

## 2.5 Expansion Slots



### PCI1: Peripheral Component Interconnect Slots

- The PCI slots support cards used in PCs include: LAN cards, sound cards, modems, TV tuner cards and other cards that comply with PCI standard.

### PEX16\_1: PCI-Express Gen3 x16 Slot

- PCI-Express 3.0 compliant.
- Theoretical maximum bandwidth using two slots simultaneously is 16GB/s for each slot, a total of 32GB/s.

### PEX1\_1/ PEX1\_2: PCI-Express Gen2 x1 Slots

- PCI-Express 2.0 compliant.
- Data transfer bandwidth up to 500MB/s per direction; 1GB/s in total

### PCIE-M2: M.2 (M Key) Socket

- The M.2 slot supports M.2 Type 2242/2260/2280 SSD module. When installing M.2 SSD module, please place the screw and hex pillar to correct position.
- Supports M.2 SATA III (6Gb/s) module and M.2 PCI Express module up to Gen2 x2 (10Gb/s) - NVMe/ AHCI SSD.

#### Note

» When using SATA SSD module on PCIE-M2 slot, the SATA\_1 connector will be disabled.

## Install an Expansion Card

You can install your expansion card by following steps:

- Read the related expansion card's instruction document before install the expansion card into the computer.
- Remove your computer's chassis cover, screws and slot bracket from the computer.
- Place a card in the expansion slot and press down on the card until it is completely seated in the slot.
- Secure the card's metal bracket to the chassis back panel with a screw. (This step is only for installing a VGA card.)
- Replace your computer's chassis cover.
- Power on the computer, if necessary, change BIOS settings for the expansion card.
- Install related driver for the expansion card.

### Note

- » Please be note that you will need to use M2 type screwdriver if you want to install or uninstall the screw. It is recommended not to use a screwdriver that does not meet the specifications, otherwise the screw may be damaged.

## 2.6 Jumper & Switch Setting

The illustration shows how to set up jumpers. When the jumper cap is placed on pins, the jumper is "close", if not, that means the jumper is "open".

Pin opened



Pin closed

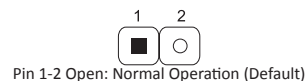
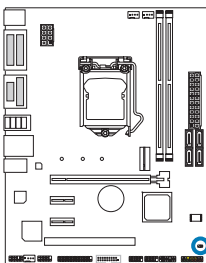


Pin 1-2 closed

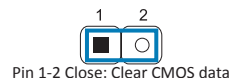


### JCMOS1: Clear CMOS Jumper

The jumper allows users to restore the BIOS safe setting and the CMOS data. Please carefully follow the procedures to avoid damaging the motherboard.



Pin 1-2 Open: Normal Operation (Default)



Pin 1-2 Close: Clear CMOS data

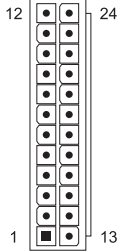
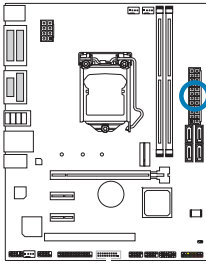
### Clear CMOS Procedures:

1. Remove AC power line.
2. Set the jumper to "Pin 1-2 close", you can use a metal object like a screwdriver to touch the two pins.
3. Wait for five seconds.
4. After clearing the CMOS values, be sure the jumper is "Pin 1-2 open".
5. Power on the AC.
6. Load Optimal Defaults and save settings in CMOS.

## 2.7 Headers & Connectors

### ATXPWR1: ATX Power Source Connector

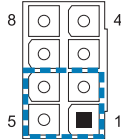
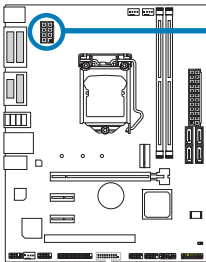
For better compatibility, we recommend to use a standard ATX 24-pin power supply for this connector. Make sure to find the correct orientation before plugging the connector.



Pin	Assignment	Pin	Assignment
13	+3.3V	1	+3.3V
14	-12V	2	+3.3V
15	Ground	3	Ground
16	PS_ON	4	+5V
17	Ground	5	Ground
18	Ground	6	+5V
19	Ground	7	Ground
20	NC	8	PW_OK
21	+5V	9	Standby Voltage+5V
22	+5V	10	+12V
23	+5V	11	+12V
24	Ground	12	+3.3V

### ATXPWR2: ATX Power Source Connector

The connector provides +12V to the CPU power circuit. If the CPU power plug is 4-pin, please plug it into Pin 1-2-5-6 of ATXPWR2.



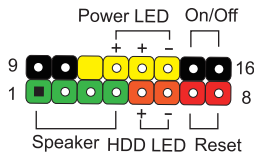
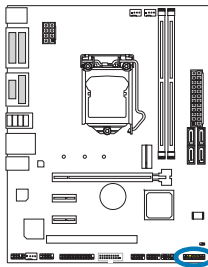
Pin	Assignment
1	+12V
2	+12V
3	+12V
4	+12V
5	Ground
6	Ground
7	Ground
8	Ground

#### Note

- » Before you power on the system, please make sure that both ATXPWR1 and ATXPWR2 connectors have been plugged-in.
- » Insufficient power supplied to the system may result in instability or the peripherals not functioning properly. Use of a PSU with a higher power output is recommended when configuring a system with more power-consuming devices.

### PANEL1: Front Panel Header

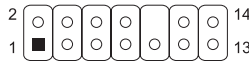
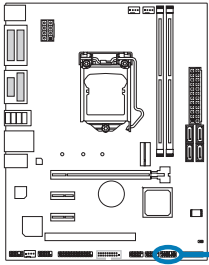
This 16-pin header includes Power-on, Reset, HDD LED, Power LED, and speaker connection.



Pin	Assignment	Function	Pin	Assignment	Function
1	+5V	Speaker Connector	9	N/A	Power LED
2	N/A		10	N/A	
3	N/A		11	N/A	
4	Speaker		12	Power LED (+)	
5	HDD LED (+)	Hard drive LED	13	Power LED (+)	Power-on button
6	HDD LED (-)		14	Power LED (-)	
7	Ground	Reset button	15	Power button	Power-on button
8	Reset control		16	Ground	

### TPM: Trusted Platform Module Header

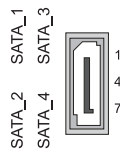
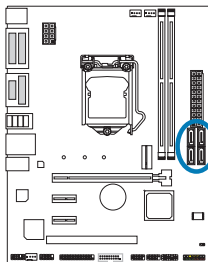
This header allows you to store cryptographic keys that protect information.



Pin	Assignment	Pin	Assignment
1	F_LAD0	2	+3V
3	F_LAD1	4	+3V
5	F_LAD2	6	C_PCICLK_TPM
7	F_LAD3	8	GND
9	F_FRAME#	10	NC
11	F_SERIRQ	12	S_PCIRST#_TBD
13	F_CLKRUN	14	+3VSB

### SATA\_1/ SATA\_2/ SATA\_3/ SATA\_4: Serial ATA Connectors

These connectors connect to SATA hard disk drives via SATA cables.



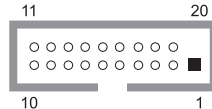
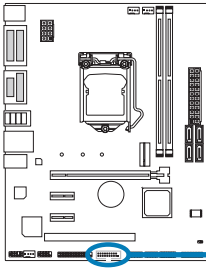
Pin	Assignment
1	Ground
2	TX+
3	TX-
4	Ground
5	RX-
6	RX+
7	Ground

**Note**

» When using SATA SSD module on PCIe-M2 slot, the SATA\_1 connector will be disabled.

### JFRONT\_USB3\_1: Header for USB 3.2 (Gen1) Ports at Front Panel

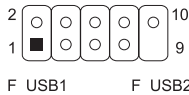
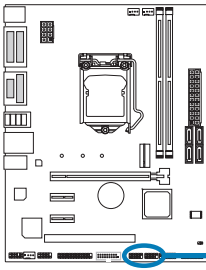
This header allows user to add additional USB ports on the PC front panel, and also can be connected with a wide range of external peripherals.



Pin	Assignment	Pin	Assignment
1	VBUS0	11	D2+
2	SSRX1-	12	D2-
3	SSRX1+	13	Ground
4	Ground	14	SSTX2+
5	SSTX1-	15	SSTX2-
6	SSTX1+	16	Ground
7	Ground	17	SSRX2+
8	D1-	18	SSRX2-
9	D1+	19	VBUS1
10	ID	20	Key

### F\_USB1/ F\_USB2: Header for USB 2.0 Ports at Front Panel

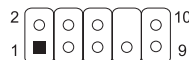
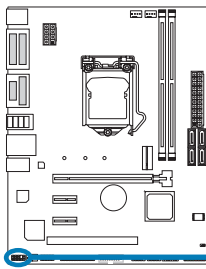
This header allows user to add additional USB ports on the PC front panel, and also can be connected with a wide range of external peripherals.



Pin	Assignment
1	+5V (fused)
2	+5V (fused)
3	USB-
4	USB-
5	USB+
6	USB+
7	Ground
8	Ground
9	Key
10	NC

### F\_AUDIO1: Front Panel Audio Header

This header allows user to connect the chassis-mount front panel audio I/O which supports HD and AC'97 audio standards.



HD Audio		AC'97	
Pin	Assignment	Pin	Assignment
1	Mic Left in	1	Mic In
2	Ground	2	Ground
3	Mic Right in	3	Mic Power
4	GPIO	4	Audio Power
5	Right line in	5	RT Line Out
6	Jack Sense	6	RT Line Out
7	Front Sense	7	Reserved
8	Key	8	Key
9	Left line in	9	LFT Line Out
10	Jack Sense	10	LFT Line Out

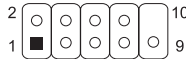
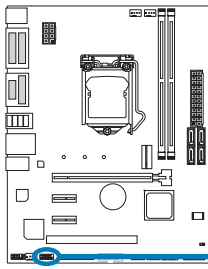
#### Note

- » It is recommended that you connect a high-definition front panel audio module to this connector to avail of the motherboard's high definition audio capability.
- » Please try to disable the "Front Panel Jack Detection" if you want to use an AC'97 front audio output cable. The function can be found via O.S. Audio Utility.



### COM1: Serial Port Header

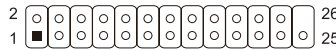
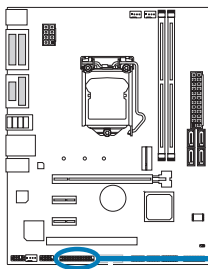
The motherboard has a serial port header for connecting RS-232 Port.



Pin	Assignment
1	Carrier detect
2	Received data
3	Transmitted data
4	Data terminal ready
5	Signal ground
6	Data set ready
7	Request to send
8	Clear to send
9	Ring indicator
10	Key

### JPRINT1: Printer Port Connector

This header allows you to connector printer on the PC.



Pin	Assignment	Pin	Assignment
1	-Strobe	14	Ground
2	-ALF	15	Data 6
3	Data 0	16	Ground
4	-Error	17	Data 7
5	Data 1	18	Ground
6	-Init	19	-ACK
7	Data 2	20	Ground
8	-Scltin	21	Busy
9	Data 3	22	Ground
10	Ground	23	PE
11	Data 4	24	Ground
12	Ground	25	SCLT
13	Data 5	26	Key

## Chapter 3: UEFI BIOS & Software

### 3.1 UEFI BIOS Setup

- The BIOS Setup program can be used to view and change the BIOS settings for the computer. The BIOS Setup program is accessed by pressing the <DEL> key after the Power-On Self-Test (POST) memory test begins and before the operating system boot begins.
- For further information of setting up the UEFI BIOS, please refer to the UEFI BIOS Manual on our website.

### 3.2 BIOS Update

The BIOS can be updated using either of the following utilities:

- **BIOSTAR BIO-Flasher:** Using this utility, the BIOS can be updated from a file on a hard disk, a USB drive (a flash drive or a USB hard drive), or a CD-ROM.
- **BIOSTAR BIOS Update Utility:** It enables automated updating while in the Windows environment. Using this utility, the BIOS can be updated from a file on a hard disk, a USB drive (a flash drive or a USB hard drive), or a CD-ROM, or from the file location on the Web.

#### BIOSTAR BIO-Flasher

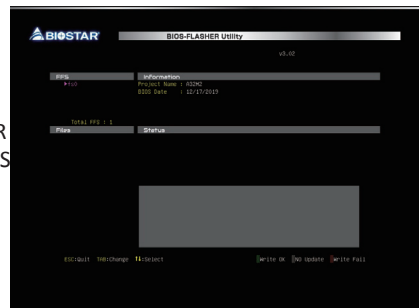
##### Note

- » *This utility only allows storage device with FAT32/16 format and single partition.*
- » *Shutting down or resetting the system while updating the BIOS will lead to system boot failure.*

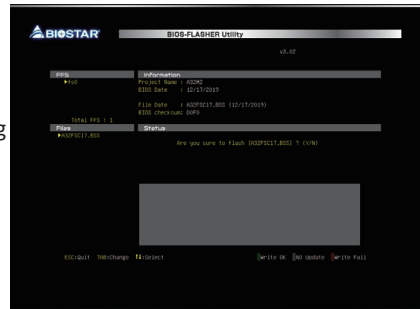
Updating BIOS with BIOSTAR BIO-Flasher

1. Go to the website to download the latest BIOS file for the motherboard.
2. Then, copy and save the BIOS file into a USB flash (pen) drive. (Only supported FAT/FAT32 format)
3. Insert the USB pen drive that contains the BIOS file to the USB port.
4. Power on or reset the computer and then press <F12> during the POST process.

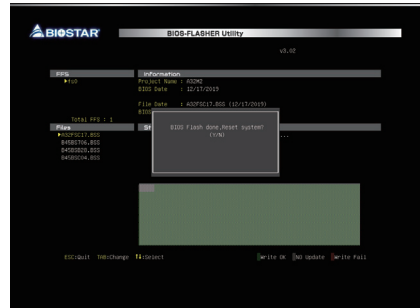
5. After entering the POST screen, the BIO-FLASHER utility pops out. Choose <fs0> to search for the BIOS file.



6. Select the proper BIOS file, and a message asking if you are sure to flash the BIOS file. Click “Yes” to start updating BIOS.



7. A dialog pops out after BIOS flash is completed, asking you to restart the system. Press the <Y> key to restart system.



8. While the system boots up and the full screen logo shows up, press <DEL> key to enter BIOS setup.

After entering the BIOS setup, please go to the <Save & Exit>, using the <Restore Defaults> function to load Optimized Defaults, and select <Save Changes and Reset> to restart the computer. Then the BIOS Update is completed.

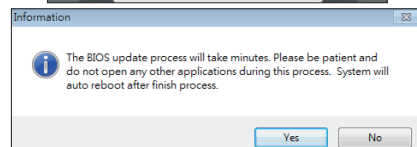
### **BIOS Update Utility (through the Internet)**

1. Installing BIOS Update Utility from the DVD Driver.
2. Please make sure the system is connected to the internet before using this function.

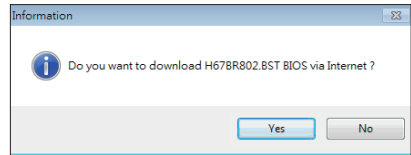
3. Launch BIOS Update Utility and click the “Online Update” button on the main screen.



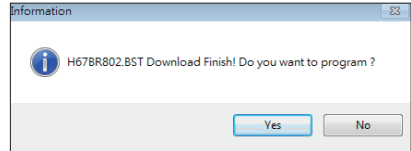
4. An open dialog will show up to request your agreement to start the BIOS update. Click “Yes” to start the online update procedure.



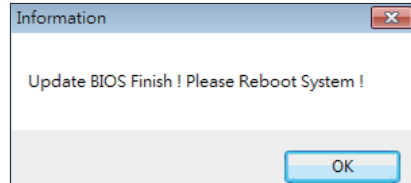
5. If there is a new BIOS version, the utility will ask you to download it. Click “Yes” to proceed.



6. After the download is completed, you will be asked to program (update) the BIOS or not. Click “Yes” to proceed.



7. After the updating process is finished, you will be asked you to reboot the system. Click “OK” to reboot.



8. While the system boots up and the full screen logo shows up, press <DEL> key to enter BIOS setup.

After entering the BIOS setup, please go to the <Save & Exit>, using the <Restore Defaults> function to load Optimized Defaults, and select <Save Changes> and <Reset> to restart the computer. Then, the BIOS Update is completed.

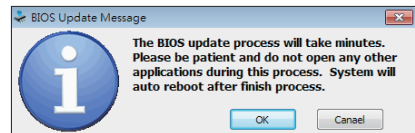
### **BIOS Update Utility (through a BIOS file)**

1. Installing BIOS Update Utility from the DVD Driver.
2. Download the proper BIOS from <http://www.biostar.com.tw/>

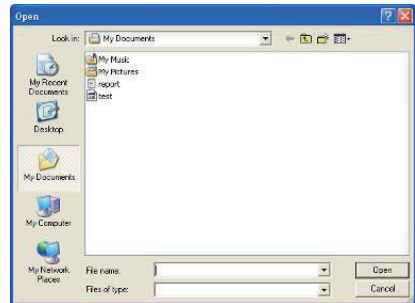
3. Launch BIOS Update Utility and click the “Update BIOS” button on the main screen.



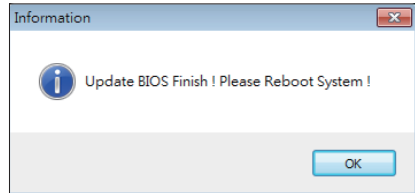
4. A warning message will show up to request your agreement to start the BIOS update. Click “OK” to start the update procedure.



5. Choose the location for your BIOS file in the system. Please select the proper BIOS file, and then click on “Open”. It will take several minutes, please be patient.



6. After the BIOS Update process is finished, click on “OK” to reboot the system.

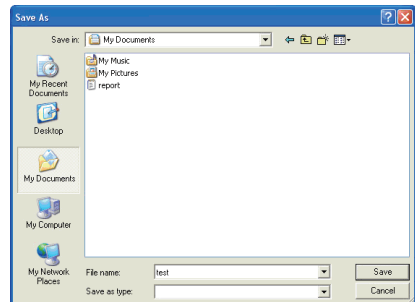


7. While the system boots up and the full screen logo shows up, press <DEL> key to enter BIOS setup.

After entering the BIOS setup, please go to the <Save & Exit>, using the <Restore Defaults> function to load Optimized Defaults, and select <Save Changes and Reset> to restart the computer. Then, the BIOS Update is completed.

### **Backup BIOS**

Click the Backup BIOS button on the main screen for the backup of BIOS, and select a proper location for your backup BIOS file in the system, and click “Save”.



### 3.3 Software

#### Installing Software

1. Insert the Setup DVD to the optical drive. The driver installation program would appear if the Auto-run function has been enabled.
2. Select Software Installation, and then click on the respective software title.
3. Follow the on-screen instructions to complete the installation.

#### Launching Software

After the installation process is completed, you will see the software icon showing on the desktop. Double-click the icon to launch it.

#### Note

- » All the information and content about following software are subject to be changed without notice. For better performance, the software is being continuously updated.
- » The information and pictures described below are for your reference only. The actual information and settings on board may be slightly different from this manual.

#### BIOScreen Utility

This utility allows you to personalize your boot logo easily. You can choose BMP as your boot logo so as to customize your computer.



Please follow the step-by-step instructions below to update boot logo:

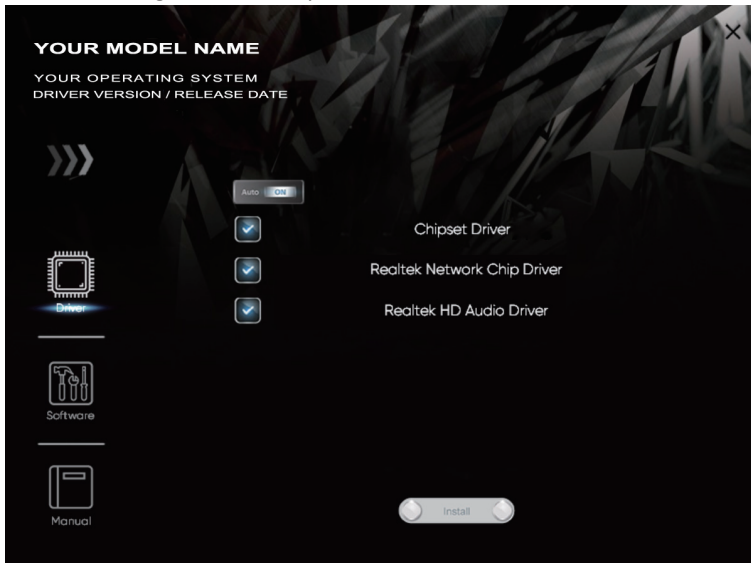
- Load Image: Choose the picture as the boot logo.
- Transform: Transform the picture for BIOS and preview the result.
- Update Bios: Write the picture to BIOS Memory to complete the update.

## Chapter 4: Useful help

### 4.1 Driver Installation

After you installed your operating system, please insert the Fully Setup Driver DVD into your optical drive and install the driver for better system performance.

You will see the following window after you insert the DVD



The setup guide will auto detect your motherboard and operating system.

#### **A. Driver Installation**

To install the driver, please click on the Driver icon. The setup guide will list the compatible driver for your motherboard and operating system. Click on each device driver to launch the installation program.

#### **B. Software Installation**

To install the software, please click on the Software icon. The setup guide will list the software available for your system, click on each software title to launch the installation program.

#### **C. Manual**

Aside from the paperback manual, we also provide manual in the Driver DVD. Click on the Manual icon to browse for available manual.

#### **Note**

- » *If this window didn't show up after you insert the Driver DVD, please use file browser to locate and execute the file SETUP.EXE under your optical drive.*
- » *You will need Acrobat Reader to open the manual file. Please download the latest version of Acrobat Reader software from <http://get.adobe.com/reader/>*
- » *The motherboard used in the illustrations may not resemble the actual board. these illustrations are for reference only.*

## 4.2 AMI BIOS Beep Code

### Boot Block Beep Codes

Number of Beeps	Description
Continuing	Memory sizing error or Memory module not found

### POST BIOS Beep Codes

Number of Beeps	Description
1	Success booting.
8	Display memory error (system video adapter)

## 4.3 AMI BIOS post code

Code	Description
10	PEI Core is started
11	Pre-memory CPU initialization is started
15	Pre-memory North Bridge initialization is started
19	Pre-memory South Bridge initialization is started
2B	Memory initialization. Serial Presence Detect (SPD) data reading
2C	Memory initialization. Memory presence detection
2D	Memory initialization. Programming memory timing information
2E	Memory initialization. Configuring memory
2F	Memory initialization (other).
31	Memory Installed
32	CPU post-memory initialization is started
33	CPU post-memory initialization. Cache initialization
34	CPU post-memory initialization. Application Processor(s) (AP) initialization
35	CPU post-memory initialization. Boot Strap Processor (BSP) selection
36	CPU post-memory initialization. System Management Mode (SMM) initialization
37	Post-Memory North Bridge initialization is started
3B	Post-Memory North Bridge initialization (North Bridge module specific)
4F	DXE IPL is started
60	DXE Core is started
F0	Recovery condition triggered by firmware (Auto recovery)
F1	Recovery condition triggered by user (Forced recovery)
F2	Recovery process started
F3	Recovery firmware image is found
F4	Recovery firmware image is loaded
E0	S3 Resume is started (S3 Resume PPI is called by the DXE IPL)
E1	S3 Boot Script execution
E2	Video repost
E3	OS S3 wake vector call
60	DXE Core is started
61	NVRAM initialization
62	Installation of the South Bridge Runtime Services
63	CPU DXE initialization is started
68	PCI host bridge initialization
69	North Bridge DXE initialization is started
6A	North Bridge DXE SMM initialization is started



Code	Description
70	South Bridge DXE initialization is started
71	South Bridge DXE SMM initialization is started
72	South Bridge devices initialization
78	South Bridge DXE Initialization (South Bridge module specific)
79	ACPI module initialization
90	Boot Device Selection (BDS) phase is started
91	Driver connecting is started
92	PCI Bus initialization is started
93	PCI Bus Hot Plug Controller Initialization
94	PCI Bus Enumeration
95	PCI Bus Request Resources
96	PCI Bus Assign Resources
97	Console Output devices connect
98	Console input devices connect
99	Super IO Initialization
9A	USB initialization is started
9B	USB Reset
9C	USB Detect
9D	USB Enable
A0	IDE initialization is started
A1	IDE Reset
A2	IDE Detect
A3	IDE Enable
A4	SCSI initialization is started
A5	SCSI Reset
A6	SCSI Detect
A7	SCSI Enable
A8	Setup Verifying Password
A9	Start of Setup
AB	Setup Input Wait
AD	Ready To Boot event
AE	Legacy Boot event
AF	Exit Boot Services event
B0	Runtime Set Virtual Address MAP Begin
B1	Runtime Set Virtual Address MAP End
B2	Legacy Option ROM Initialization
B3	System Reset
B4	USB hot plug
B5	PCI bus hot plug
B6	Clean-up of NVRAM
B7	Configuration Reset (reset of NVRAM settings)

## 4.4 Troubleshooting

Probable	Solution
<ol style="list-style-type: none"> <li>1. There is no power in the system. Power LED does not shine; the fan of the power supply does not work.</li> <li>2. Indicator light on keyboard does not shine.</li> </ol>	<ol style="list-style-type: none"> <li>1. Make sure power cable is securely plugged in.</li> <li>2. Replace cable.</li> <li>3. Contact technical support.</li> </ol>
System is inoperative. Keyboard lights are on, power indicator lights are lit, and hard drives are running.	Using even pressure on both ends of the DIMM, press down firmly until the module snaps into place.
System does not boot from a hard disk drive, but can be booted from optical drive.	<ol style="list-style-type: none"> <li>1. Check cable running from disk to disk controller board. Make sure both ends are securely plugged in; check the drive type in the standard CMOS setup.</li> <li>2. Backing up the hard drive is extremely important. All hard disks are capable of breaking down at any time.</li> </ol>
System only boots from an optical drive. Hard disks can be read, applications can be used, but system fails to boot from a hard disk.	<ol style="list-style-type: none"> <li>1. Back up data and applications files.</li> <li>2. Reformat the hard drive. Re-install applications and data using backup disks.</li> </ol>
Screen message shows "Invalid Configuration" or "CMOS Failure."	Review system's equipment. Make sure correct information is in setup.
System cannot boot after user installs a second hard drive.	<ol style="list-style-type: none"> <li>1. Set master/slave jumpers correctly.</li> <li>2. Run SETUP program and select correct drive types. Call the drive manufacturers for compatibility with other drives.</li> </ol>

### **CPU Overheated**

If the system shutdown automatically after power on system for seconds, that means the CPU protection function has been activated.

When the CPU is over heated, the motherboard will shutdown automatically to avoid a damage of the CPU, and the system may not power on again.

In this case, please double check:

1. The CPU cooler surface is placed evenly with the CPU surface.
2. CPU fan is rotated normally.
3. CPU fan speed is fulfilling with the CPU speed.

After confirmed, please follow steps below to relief the CPU protection function.

1. Remove the power cord from power supply for seconds.
2. Wait for seconds.
3. Plug in the power cord and boot up the system.

Or you can:

1. Clear the CMOS data. (See "Close CMOS Header: JCMOS1" section)
2. Wait for seconds.
3. Power on the system again.

## APPENDIX I: Specifications in Other Languages

### Arabic

المواصفات	
المأخذ 1200 لمعالج ايه إم دي Intel® Core / Pentium / Celeron (الجيل 10) قاعدة وحدة المعالجة المركزية * تدعم عائلة المعالجات Intel® Core™ من الجيل العاشر فئة 400 فقط * يرجى الرجوع إلى الموقع <a href="http://www.biostar.com.tw">www.biostar.com.tw</a> لقائمة دعم المعالج CPU.	
INTEL® H410 تدعم قناة مزدوجة دي. دي. آر. DDR4 2933 / 2666 / 2400 / 2133 / 1866 2x دي. دي. آر. DDR4 قنوات الذاكرة المزدوجة DIMM. تتحمل كحد أقصى 64 جيجابايت ذاكرة كل فتحة مزدوجة DIMM تتحمل دون ECC 32/16/8/4 جيجابايت دي. دي. آر. DDR4 * يرجى الرجوع إلى الموقع <a href="http://www.biostar.com.tw">www.biostar.com.tw</a> لقائمة دعم الذاكرة.	مجموعة الشرائح
وصلة 4x ساتا SATA III (6Gb/s) X1 فتحة M.2 (M Key) قابس كهرباء: تدعم SSD 2280 / 2260 / 2242 Type M.2 تدعم SSD (6Gb/s) SATA III & SSD NVMe / AHCI - (10Gb/s) 2x 2.0 PCI-E * عند استخدام وحدة SATA SSD على فتحة PCI-E M2، سيتم تعطيل موصل SATA_1.	التخزين
RTL8111H 10 / 100 / 1000 ميجابايت / الثانية، تحديد تلقائي، النصف / القدرة القصوى المزدوجة	شبكة محلية LAN
ALC887 7.1 قنوات عالية النغمة	الترميز الصوتي
منافذ 4 x نقل متسلسل عام USB 3.2 (Gen1) (2 في الداخل والمخارج الخلفية و 2 من خلال الموزع الداخلي) منافذ 8 x نقل متسلسل عام USB 2.0 (4 في الداخل والمخارج الخلفية و 4 من خلال الموزع الداخلي)	نقل متسلسل عام USB
1 x فتحة منفذ الملحقات الإضافية PCI 2 x فتحة منفذ الملحقات الإضافية PCIe 2.0 x 1 1 x فتحة منفذ الملحقات الإضافية PCIe 3.0 x 16	فتحات التوسع
1 x PS/2 الفأرة 1 x PS/2 لوحة المفاتيح للكمبيوتر فتحة توصيل عدد 1 x واجهة مرئية رقمية DVI-D فتحة توصيل عدد 1 x واجهة مرئية رقمية VGA فتحة توصيل عدد 1 x واجهة مرئية رقمية HDMI فتحة توصيل عدد 1 x واجهة مرئية رقمية COM فتحة توصيل عدد 2 x نقل متسلسل عام USB 3.2 (Gen1) فتحة توصيل عدد 4 x نقل متسلسل عام USB 2.0 فتحة توصيل عدد 1 x الشبكة المحلية LAN فتحة توصيل عدد 3 x جاك للصوت	الداخل والمخارج الخلفية
وصلة 4x ساتا SATA III (6Gb/s) موزع 2 x نقل متسلسل عام USB 2.0 (كل موزع يتحمل فئتين نقل متسلسل عام 2.0 USB) موزع 1 x نقل متسلسل عام USB 3.2 (Gen1) (كل موزع يتحمل فئتين نقل متسلسل عام USB 3.2 (Gen1)) وصلة للطاقة 1 x 8 دبابيس وصلة للطاقة 1 x 24 دبابيس وصلة 1 x مروحة تبريد وحدة المعالجة المركزية وصلة 2 x مراوح تبريد المنظومة موزع 1 x اللوحة الأمامية موزع 1 x الصوت الأمامي موزع 1 x سيموس مباشر موزع 1 x فتحة للطابعة موزع 1 x فتحة تسلسلية موزع 1 x TPM	الداخل والمخارج الداخلية
عامل شكل مدد التكنولوجيا المتقدمة uATX، 244 مم x 191 مم	عامل الشكل
ويندوز 10(64bit) * بيوستار BIOSTAR تحتفظ بحق إضافة أو إزالة الدعم لأي نظام تشغيل مع أو بدون أنظار.	أنظمة التشغيل المدعومة

## German

Spezifikationen	
CPU-Unterstützung	Anschluss-1200 für den 10. Intel® Core/ Pentium/ Celeron Prozessor * 10. Generation Intel® Core™ Prozessor Familie unterstützt nur 400-Serie * Bitte konsultieren Sie <a href="http://www.biostar.com.tw">www.biostar.com.tw</a> für CPU-Unterstützungsliste
Chipset	INTEL® H410
Festplattenspeicher	Unterstützt zweikanaliges DDR4 1866/ 2133/ 2400/ 2666/ 2933 2x DDR4 DIMM-SpeicherSlot, Max. Unterstützung bis zu 64 GB-Speicher Jedes DIMM unterstützt nicht-ECC 4/8/16/32 GB DDR4-Module * Bitte konsultieren Sie <a href="http://www.biostar.com.tw">www.biostar.com.tw</a> für Speicherunterstützung Liste.
Arbeitsspeicher	4x SATA III-Verbindung (6Gb/s) 1x M.2 (M Key) Steckdose: Unterstützt M.2 Typ 2242/2260/2280 SSD-Modul Unterstützt PCI-E 2.0 x2 (10Gb/s) - NVMe/AHCI SSD und SATA III (6Gb/s) SSD * Wenn Sie ein SATA-SSD-Modul in einem PCIE-M2-Steckplatz verwenden, wird der SATA_1-Anschluss deaktiviert.
LAN	RTL8111H 10/ 100/ 1000 Mb Auto-Negotiation, Halb- / Voll-Duplex-fähig
Audio-Codec	ALC887 7.1 Kanäle, HD-Audio
USB	4x USB 3.2(Gen1)-Port (2 hintere I/Os und 2 via interne Header) 8x USB 2.0-Port (4 hintere I/Os und 4 via interne Header)
Erweiterungsanschlüsse	1x PCI-Slot 2x PCIe 2.0 x1-Slot 1x PCIe 3.0 x16-Slot
Hintere I/Os	1x PS/2-Keyboard 1x PS/2-Maus 1x DVI-D-Port 1x VGA-Port 1x HDMI-Port 1x COM-Port 2x USB 3.2(Gen1)-Port 4x USB 2.0-Port 1x LAN-Port 3x Audio Jack
Interne I/Os	4x SATA III-Verbindung 2x USB 2.0-Header (jeder Header unterstützt 2 USB 2.0-Ports) 1x USB 3.2 (Gen1)-Header (jeder Header unterstützt 2 USB 3.2(Gen1)-Ports) 1x 8-Pin-Stromverbindung 1x 24-Pin-Stromverbindung 1x CPU-Ventilatorverbindung 2x System-Ventilatorverbindung 1x Header für Frontpanel 1x Header für Frontaudio 1x Header für klares CMOS 1x Header für Druckerport 1x Header für Seriellen Anschluss 1x TPM-Header
Formfaktor	uATX Formfaktor, 244 mm x 191 mm
OS-Unterstützung	Windows 10(64bit) * Biostar reserves the right to add or remove support for any OS with or without notice.

## Russian

Спецификации	
Поддержка центрального процессора	Сокет 1200 для 10-го поколения процессоров Intel® Core, Pentium а также Celeron * Семейство процессоров Intel® Core™ 10-го поколения поддерживает только 400-Series. * Перечень поддержки центрального процессора смотрите на <a href="http://www.biostar.com.tw">www.biostar.com.tw</a> .
Набор микросхем	INTEL® H410
Память	Поддерживает двухканальный DDR4 1866/2133/2400/2666/2933 2 гнезда платы памяти DDR4 DIMM, максимальная память до 64 Гб Каждый модуль DIMM поддерживает модуль не-ECC 4/8/16/32 Гб DDR4 * Перечень поддержки памяти смотрите на <a href="http://www.biostar.com.tw">www.biostar.com.tw</a> .
Накопитель	Соединитель 4x SATA III (6Gb/s) 1x M.2 (M Key) Сокет: Поддерживает модуль M.2 Type 2242/2260/2280 SSD Поддерживает PCI-E 2.0 x2 (10Gb/s) - NVMe/АНСI SSD и SATA III (6Gb/s) SSD * При использовании модуля SATA SSD в слоте PCI-E-M2 разъем SATA_1 будет отключен.
Локальная сеть	RTL8111H Автосогласование 10/ 100/ 1000 Мб/с, работает в полно/полудуплексном режиме
Аудиокодек	ALC887 Каналы 7.1, высококачественное аудио
USB	4 порта USB 3.2 (Gen1) (2 сзади ввода-вывода и 2 через внутренние контакты) 8 порта USB 2.0 (4 сзади ввода-вывода и 4 через внутренние контакты)
Гнезда расшир.	1x PCI гнездо 2x PCIe 2.0 x1 гнездо 1x PCIe 3.0 x16 гнездо
Задняя плата ввода-вывода	1 клавиатура PS/2 1 мышь PS/2 1 порт DVI-D 1 порт VGA 1 порт HDMI 1 порт COM 2 порта USB 3.2 (Gen1) 4 порта USB 2.0 1 порт локальной сети 3 гнезд для подключения наушников
Внутр. Плата ввода-вывода	Соединитель 4x SATA III (6Gb/s) 2 контакта USB 2.0 (каждый контакт поддерживает 2 порта USB 2.0) 1 контакт USB 3.2(Gen1) (каждый контакт поддерживает 2 порта USB 3.2(Gen1)) 1 8-выводный разъем питания 1 24-выводный разъем питания 1 разъем вентилятора ЦП 2 разъема вентилятора системы 1 контакт передней панели 1 контакт передней аудиопанели 1 контакт микросхемы Clear CMOS 1 контакт порта принтера 1 контакт последовательного порта 1 контакт TPM
Конструктив	Форм-фактор uATX, 244 мм x 191 мм
Поддержка ОС	Windows 10(64bit) * Biostar оставляет за собой право добавлять или удалять поддержку любой ОС, с уведомлением или без.

## Spanish

Especificaciones	
Compatibilidad con el procesador	Ranura 1200 para el 10º procesador Intel® Core, Pentium y Celeron * La familia de procesadores Intel® Core™ de 10ª generación solo es compatible con la serie 400. * Por favor consultar con <a href="http://www.biostar.com.tw">www.biostar.com.tw</a> para la lista de compatibilidad con el procesador.
Tipo de Placa	INTEL® H410
Memoria	Soporta DDR4 1866/ 2133/ 2400/ 2666/ 2933 Doble Canal 2x DDR4 DIMM Ranura de memoria Soporta hasta 64 GB Memoria Cada DIMM soporta un modulo non-ECC 4/8/16/32 GB DDR4 *Por favor consultar con <a href="http://www.biostar.com.tw">www.biostar.com.tw</a> para la lista de compatibilidad con el memoria.
Almacenamiento de información	Conector 4x SATA III (6Gb/s) 1x M.2 (M Key) Ranura: Soporta módulo M.2 tipo 2242/2260/2280 SSD Soporta PCI-E 2.0 x2 (10Gb/s) - NVMe/AHCI SSD y SATA III (6Gb/s) SSD * Cuando se utiliza el módulo SSD SATA en la ranura PCIE-M2, el conector SATA_1 se desactivará.
LAN	RTL8111H 10/ 100/ 1000 Mb/s auto negociación, capacidad dúplex Mitad/Completo
Códec Audio	ALC887 Canales Audio de Alta Definición 7.1
USB	Ranura 4x USB 3.2(Gen1) (2 en las entrada/salidas posteriores y 2 por los distribuidores internos) Ranura 8x USB 2.0 (4 en las entrada/salidas posteriores y 4 por los distribuidores internos)
Ranuras de Extinción	Ranura 1x PCI Ranura 2x PCIe 2.0 x1 Ranura 1x PCIe 3.0 x16
Panel trasero de E/S	Teclado 1x PS/2 Ratón 1x PS/2 Ranura 1x DVI-D Ranura 1x VGA Ranura 1x HDMI Ranura 1x COM Ranura 2x USB 3.2(Gen1) Ranura 4x USB 2.0 Ranura 1x LAN Socket audio 3x
Conectores en placa	Conector 4x SATA III (6Gb/s) Distribuidor 2x USB 2.0 (cada distribuidor soporta 2 ranuras USB 2.0) Distribuidor 1x 3.2 (Gen1) (cada distribuidor soporta 2 ranuras USB 3.2 (Gen1)) Conector con 8 patillas x1 Conector con 24 patillas x1 Conector Ventilador procesador x1 Conector Ventilador Sistema x2 Distribuidor Panel Frontal x1 Distribuidor Audio Frontal x1 Distribuidor CMOS Directo x1 Distribuidor Ranura Impresora x1 Distribuidor Ranura Serie x1 Distribuidor TPM x1
Factor de Forma	Factor de Forma uATX, 244 mm x 191 mm
Soporte OS	Windows 10(64bit) * Biostar reserva su derecho de añadir o retirar el soporte para cada OS con o sin notificación.

## Thai

คุณสมบัติ	
ซีพียู	ซีอิกเก็ด 1200 สำหรับโปรเซสเซอร์ 10th Intel® Core, Pentium และ Celeron * ตระกูลโปรเซสเซอร์ Intel® Core™ รุ่น 10 รองรับเฉพาะ 400-Series * เข้าชมได้ที่ <a href="http://www.biostar.com.tw">www.biostar.com.tw</a> สำหรับรายการซีพียูที่สนับสนุน
ชิพเซ็ต	INTEL® H410
หน่วยความจำ	สนับสนุน Dual Channel DDR4 1866/ 2133/ 2400/ 2666/ 2933 รองรับหน่วยความจำ 2 สล็อต DDR4 DIMM สูงสุดถึง 64 GB ทุก DIMM สนับสนุนโมดูล non-ECC 4/8/16/32GB DDR4 * เข้าชมได้ที่ <a href="http://www.biostar.com.tw">www.biostar.com.tw</a> สำหรับรายการหน่วยความจำที่สนับสนุน.
สต่อเรจ	4x SATA III พอร์ตเชื่อมต่อ (6Gb/s) 1x M.2 (M Key) ซีอิกเก็ด : สนับสนุน M.2 ชนิด 2242/2260/2280 SSD โมดูล สนับสนุน PCI-E 2.0 x2 (10Gb/s) - NVMe/AHCI SSD และ SATA III (6Gb/s) SSD * เมื่อใช้โมดูล SATA SSD ในช่องเสียบ PCIe-M2 ตัวเชื่อมต่อ SATA_1 จะถูกปิดการใช้งาน
แลน	RTL8111H 10/ 100/ 1000 Mb/s การเจรจาอัตโนมัติ, ความสามารถในการเพ็ล็กซ์ Half / Full
อดดีโอ โคเดก	ALC887 7.1 Channels, High Definition Audio
ยูเอสบี	4x USB 3.2 (Gen1) พอร์ต (2 พอร์ตด้านหลัง I/O และ 2 พอร์ต ผ่านพอร์ตเชื่อมต่อด้านใน) 8x USB 2.0 พอร์ต (4 พอร์ตด้านหลัง I/O และ 4 พอร์ต ผ่านพอร์ตเชื่อมต่อด้านใน)
สล็อดขยายเพิ่มเติม	1x PCI สล็อด 2x PCIe 2.0 x1 สล็อด 1x PCIe 3.0 x16 สล็อด
พอร์ต I/O ด้านหลัง	1x PS/2 คีย์บอร์ด 1x PS/2 เมาส์ 1x DVI-D Port 1x VGA Port 1x HDMI พอร์ต 1x COM Port 2x USB 3.2(Gen1) พอร์ต 4x USB 2.0 พอร์ต 1x LAN พอร์ต 3x Audio Jack
พอร์ต I/O ด้านใน	4x SATA III พอร์ตเชื่อมต่อ (6Gb/s) 2x USB 2.0 พอร์ตเชื่อมต่อ (หัวเชื่อมต่อทุกตัวรองรับ 2 พอร์ต USB 2.0) 1x USB 3.2 (Gen1) พอร์ตเชื่อมต่อ (หัวเชื่อมต่อทุกตัวรองรับ 2 พอร์ต USB 3.2 (Gen1)) 1x 8-Pin Power พอร์ตเชื่อมต่อ 1x 24-Pin Power พอร์ตเชื่อมต่อ 1x พอร์ตเชื่อมต่อ CPU Fan 2x พอร์ตเชื่อมต่อระบบ Fan 1x พอร์ตเชื่อมต่อแผงด้านหลังหน้า 1x พอร์ตเชื่อมต่อออดิโอด้านหลังหน้า 1x พอร์ต Clear CMOS 1x พอร์ตเชื่อมต่อรีโมเตอร์ 1x พอร์ตเชื่อมต่อ Serial Port 1x พอร์ตเชื่อมต่อ TPM
รูปแบบจากโรงงาน	ขนาด uATX จากโรงงาน, 244 มม. x 191 มม.
สนับสนุน OS	Windows 10(64bit) * Biostar ขอสงวนสิทธิ์ในการเพิ่มหรือลดการสนับสนุนสำหรับระบบปฏิบัติการ OS ต่างๆ โดยไม่ต้องแจ้งให้ทราบล่วงหน้า

## Japan

仕様	
CPU 対応	ソケット1200サポートの第10世代Intel® Core™、Pentium、Celeronプロセッサ * 第10世代Intel® Core™プロセッサファミリーは400シリーズのみに対応しています * 対応CPUの一覧は、www.biostar.com.twを参照してください
チップセット	INTEL® H410
メモリ	デュアルチャンネルDDR4 1866/ 2133/ 2400/ 2666/ 2933に対応 2x DDR4 DIMMメモリスロット、最大64 GBのメモリに対応 各DIMMは非ECC 4/ 8/ 16/ 32GB DDR4モジュールに対応 * 対応メモリーの一覧は、www.biostar.com.twを参照してください。
ストレージ	4x SATA IIIコネクタ(6Gb/s) 1x M.2 (M Key)ソケット: M.2 Type 2242/2260/2280 SSDモジュールに対応。 PCI-E 2.0 x2 (10Gb/s) - NVMe/AHCI SSD & SATA III (6Gb/s) SSDに対応 * PCIe-M2スロットでSATA SSDモジュールを使用すると、SATA_1コネクタは無効となります。
LAN	RTL8111H 10/ 100/ 1000 Mb/秒の自動ネゴシエーション、半二重/全二重に対応
オーディオコーデック	ALC887 7.1チャンネル、HDオーディオ
USB	4x USB 3.2(Gen1)ポート(2個は背面I/Oにあり、2個は内部ヘッダ経由) 8x USB 2.0ポート(4個は背面I/Oにあり、4個は内部ヘッダ経由)
拡張スロット	1x PCI スロット 2x PCIe 2.0 x1スロット 1x PCIe 3.0 x16スロット
背面 I/O	1x PS/2キーボード 1x PS/2マウス 1x DVI-Dポート 1x VGAポート 1x HDMIポート 1x COMポート 2x USB 3.2 (Gen1)ポート 4x USB 2.0ポート 1x LANポート 3x オーディオジャック
内部 I/O	4x SATA IIIコネクタ(6Gb/s) 2x USB 2.0ヘッダー(各ヘッダーは2台のUSB 2.0ポートに対応) 1x USB 3.2 (Gen1)ヘッダー(各ヘッダーは2台のUSB 3.2 (Gen1)ポートに対応) 1x 8ピン電源コネクタ 1x 24ピン電源コネクタ 1x CPUファンコネクタ 2x システムファンコネクタ 1x フロントパネルヘッダー 1x フロントオーディオヘッダー 1x クリアCMOSヘッダー 1x プリンター ポート ヘッダー 1x COMポートヘッダー 1x TPMヘッダー
フォームファクタ	uATXフォームファクタ、191 mm x 244 mm
対応 OS	Windows 10(64bit) BIOSTARは、予告の有無にかかわらず、対応OSを追加または削除する権利を有します



## FCC조항

이 기기는 FCC 조항 제 15 부에 의해 심사되며 Class B 급 디지털 장치 제한에 부합됩니다.

이 조항은 설치 중에 발생할 수 있는 유해 무선 주파수 간섭을 제한하고

합리적인 예방 조치를 제공합니다.

이 기기는 사용 시 무선 주파수 방사가 발생할 수 있으므로 본 설명서에 따라 설치 및 사용을 하지 않는 경우 무선 통신 장치와의 간섭이 발생할 수 있습니다. 다만 특정 설치 시간섭이 발생할 수 있습니다. 본 기기를 끄거나 재시작 시 여전히 라디오나 TV 수신에 간섭하는 경우 사용자는 아래 사항 중 한 가지 또는 여러 가지 방법을 사용하여 전파 간섭을 줄일 수 있습니다:

- 재설치 또는 수신 안테나를 조절합니다.
- 본 기기와 수신 설비 간의 거리를 증가합니다.
- 두 기기가 다른 회로를 사용할 수 있도록 연결 설비를 각각 다른 콘센트에 연결하게 합니다.
- 대리점 혹은 무선 엔지니어에게 문의하시기 바랍니다.

본 설명서는 내용 변경 시 별도로 공지가 없는 점을 양해 바랍니다.

이에 대해 제 조사는 설명 할 의무가 없습니다.

본 설명서의 내용에 어떠한 오류가 있을 경우 제조사는 이에 대해 어떠한 책임도 질 의무가 없습니다. 모든 상표 및 상품 이름은 각각 그 소유권을 가집니다. 서면허가 없이 본 설명서에 있는 정보를 어떤 형식(일부 또는 전부)으로도 복제할 수 없습니다.

## 면책 설명

본 설명서 내용은 BIOSTAR® 의 지식 재산권과 관련되며 저작권은 BIOSTAR® 에 있습니다.

저희는 사용자에 대한 책임을 바탕으로 신중히 이 설명서를 작성했으나 내용이 완전히

정확하며 오류가 없다는 보장은 없습니다. BIOSTAR® 는 사용자가 모르는

채 상품을 끊임없이 개선, 업그레이드 및 설명서 내용 수정을

할 권리가 있으며 실제 상황에서는 실물 상품을 기준으로 합니다.

본 설명서는 순수 기술 문서로서 제 3자의 제안이나 암시가 없으며 인쇄상의 오류로 인한

사용자의 다른 이해에 책임을 지지 않습니다. 본 설명서와 관련된 제 3자 등록 상표 소유권은 그 제조사 또는 브랜드 소유사에게 있습니다.



### CE 부합성에 대한 간략한 설명

이 상품이 현재의 표준에 부합하며 2004/108/CE, 2006/95/CE 와 1999/05/CE 규정에 의한 모든 기본 요구 사항에 부합합니다.

## 정전기 방지 조작 규칙

정전기는 고객님의 설비에 심한 손상을 줄 수 있으므로 메인보드 및 다른 시스템 설비를

다룰 때 특별히 주의하시기 바랍니다. 메인보드의 시스템 부품과 접촉하지 않도록

반드시 정전기 방지 환경에서 작업하시기 바랍니다. 정전기의 방전으로 인해 메인보드가 손상될 수.

있으므로 이를 피하기 위하여 설비를 컴퓨터 케이스에 삽입하거나 제거할 때 전원  
이 꺼진 상태인지 반드시 확인하시기 바랍니다. 당사는 본 조작 규칙이나 안전  
사항을 준수하지 않음으로 발생한 메인보드의 손상에 대해 책임을 지지 않습니다.



## 경고

메인 보드는 정전기에 쉽게 손상됩니다.  
작동 규칙을 준수해 주십시오.



### KC (Korea) 부합성에 대한 간략한 설명

한국 EMC 인증에는 제품에 대한 추가 정보가 필요합니다.

정보를 놓을 공간이 없는 경우, 이 제품 문서가 해당 정보를 제공합니다.

1. 제품명(모델명): 모델명이 제품에 표시된 KC 인증서에 있습니다.

2. 인증 번호: 인증 번호는 KC 인증서에 있으며 제품에 표시되어  
있습니다.

3. 인증자명: BIOSTAR Microtech Int'l Corp의 이름이 제품에 표시된  
KC 인증서에 있습니다.

4. 제조일자: 제조일자는 제품의 날짜 코드 일련 번호의  
일부분입니다.

5. 제조업체/국가: 제품에 표시된 원산국입니다.



# 목차

<b>챕터 1: 들어가는 글</b> .....	<b>4</b>
1.1 시작하기에 앞서 .....	4
1.2 패키지 체크리스트 .....	4
1.3 사양 .....	5
1.4 후면 패널 커넥터 .....	6
1.5 마더보드 레이아웃 .....	7
<b>챕터 2: 하드웨어 설치</b> .....	<b>8</b>
2.1 CPU 설치 .....	8
2.2 CPU 쿨러 설치 .....	10
2.3 쿨링팬연결 .....	11
2.4 시스템 메모리 설치 .....	11
2.5 확장 슬롯 .....	13
2.6 점퍼 & 스위치 설정 .....	14
2.7 헤더 & 커넥터 .....	15
<b>챕터 3: UEFI 바이오스 &amp; 소프트웨어</b> .....	<b>19</b>
3.1 UEFI 바이오스 설정 .....	19
3.2 바이오스 업데이트 .....	19
3.3 소프트웨어 .....	23
<b>챕터 4: 유용한 도움말</b> .....	<b>24</b>
4.1 드라이버 설치 .....	24
4.2 AMI 바이오스 비프음 코드 .....	25
4.3 AMI 바이오스 포스트 코드 .....	25
4.4 문제해결 .....	27

# 챕터 1: 들어가는 글

## 1.1 시작하기에 앞서

우선, 바이오스타 제품을 선택해주셔서 감사합니다. 메인보드를 설치하기 전에 아래의 내용을 준수하고 있는지 확인 바랍니다 :

- 작업에 적합한 조명 아래 건조하고 안정적인 작업 환경을 갖추시기 바랍니다.
- 작업 전 컴퓨터 전원 콘센트의 연결을 차단시키시기 바랍니다.
- 정전기 방지 비닐에서 메인보드를 꺼내기 전, 접지 설비에 안전하게 접촉하거나 정전기를 제거하는 접지용 손목 스트랩을 사용하여 적절히 접지하시기 바랍니다.
- 필요한 경우가 아니면 마더보드 상의 부품 또는 보드의 후면과의 접촉을 피하시기 바랍니다. 보드의 모서리를 잡고 보드를 구부리지 마십시오.
- 설치 후 케이스 내부의 험거워진 작은 부품들을 그대로 방지하지 마십시오. 느슨해진 부품들로 인해 설비가 손상될 수 있습니다.
- 발열원, 습도가 높은 환경 등 위험한 지역에서 컴퓨터를 멀리 떨어지도록 하시기 바랍니다.
- 컴퓨터 동작 온도를 섭씨 0도에서 45도 사이로 유지하시기 바랍니다.
- 부상 유발 사항을 주의하시기 바랍니다:  
헤더와 커넥터의 날카로운 핀들  
케이스의 거칠고 날카로운 모서리/면 들  
쇼트를 유발할 수 있는 전선 훼손

## 1.2 패키지 체크리스트

- 시리얼 ATA 케이블 x2
- ATX 케이스 용 후면 입/출력 패널 x1
- 빠른 설치 안내서 x1
- 설치 드라이버 DVD x1

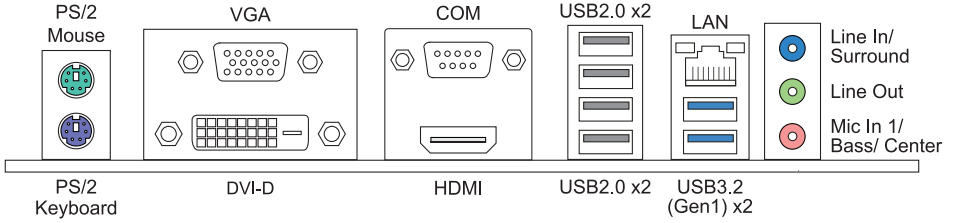
### 주의

» 판매 지역과 판매되는 모델에 따라 패키지 내용물은 달라질 수 있습니다. 해당 지역의 표준 패키지에 대한 자세한 정보는 지역의 딜러 또는 판매자에게 문의하여 주십시오.

## 1.3 사양

사양	
CPU 지원	인텔® 코어™ / 팬티엄 / 셀러론 프로세서는 10 세대 1200 소켓을 지원합니다 * 10 세대 인텔® 코어 프로세서 제품군은 400 시리즈 만 지원합니다. * 메모리 지원 리스트 관련 내용은 <a href="http://www.biostar.com.tw">www.biostar.com.tw</a> 를 참조하여 주십시오.
칩셋	인텔® H410
메모리	듀얼 채널 DDR4 1866/ 2133/ 2400/ 2666/ 2933 지원 최대 64GB 메모리를 지원하는 2x DDR4 DIMM 메모리 슬롯 각각의 DIMM은 non-ECC 4/ 8/ 16/ 32GB DDR4 모듈 지원 * 메모리 지원 리스트 관련 내용은 <a href="http://www.biostar.com.tw">www.biostar.com.tw</a> 를 참조하여 주십시오.
저장장치	4x SATA III 커넥터 (6Gb/s) 1x M.2 (M Key) 소켓: M.2 타입 2242/ 2260/ 2280 SSD 모듈 지원 PCI-E 2.0 x2 (10Gb/s) - NVMe/AHCI SSD & SATA III (6Gb/s) SSD 지원 * PCIe-M2 슬롯에 SATA SSD 모듈을 사용하면, SATA_1 커넥터는 사용할 수 없습니다.
LAN	RTL8111H 10/ 100/ 1000 Mb/s 오토 네고시에이션, 하프 / 풀 듀플렉스 가능
오디오 코덱	ALC887 7.1 채널, HD 오디오
USB	4x USB 3.2(1세대) 포트 (후면 입/출력 2개, 내부 헤더를 통해 2개) 8x USB 2.0 포트(후면 입/출력 4개, 내부 헤더를 통해 4개)
확장 슬롯	1x PCI 슬롯 2x PCIe 2.0 x1 슬롯 1x PCIe 3.0 x16 슬롯
후면 입/출력	1x PS/2 키보드 1x PS/2 마우스 1x DVI-D 포트 1x VGA 포트 1x HDMI 포트 1x COM 포트 2x USB 3.2(1세대) 포트 4x USB 2.0 포트 1x LAN 포트 3x 오디오 잭
내부 입/출력	4x SATA III 커넥터 (6Gb/s) 2x USB 2.0 헤더 (각 헤더는 2개의 USB 2.0 포트를 지원) 1x USB 3.2(1세대) 헤더 (각 헤더는 2개의 USB 3.2(1세대) 포트를 지원) 1x 8-Pin 파워 커넥터 1x 24-Pin 파워 커넥터 1x CPU 팬 커넥터 2x 시스템 팬 커넥터 1x 전면 패널 헤더 1x 전면 오디오 헤더 1x 클리어 CMOS 헤더 1x 프린터 포트 헤더 1x COM 포트 헤더 1x TPM 헤더
폼 팩터	µATX 폼 팩터, 244 mm x 191 mm
OS 지원	Windows 10(64비트) * 바이오스타는 별도의 고지 또는 고지 없이 OS의 지원을 추가하거나 중지할 권리를 갖습니다.

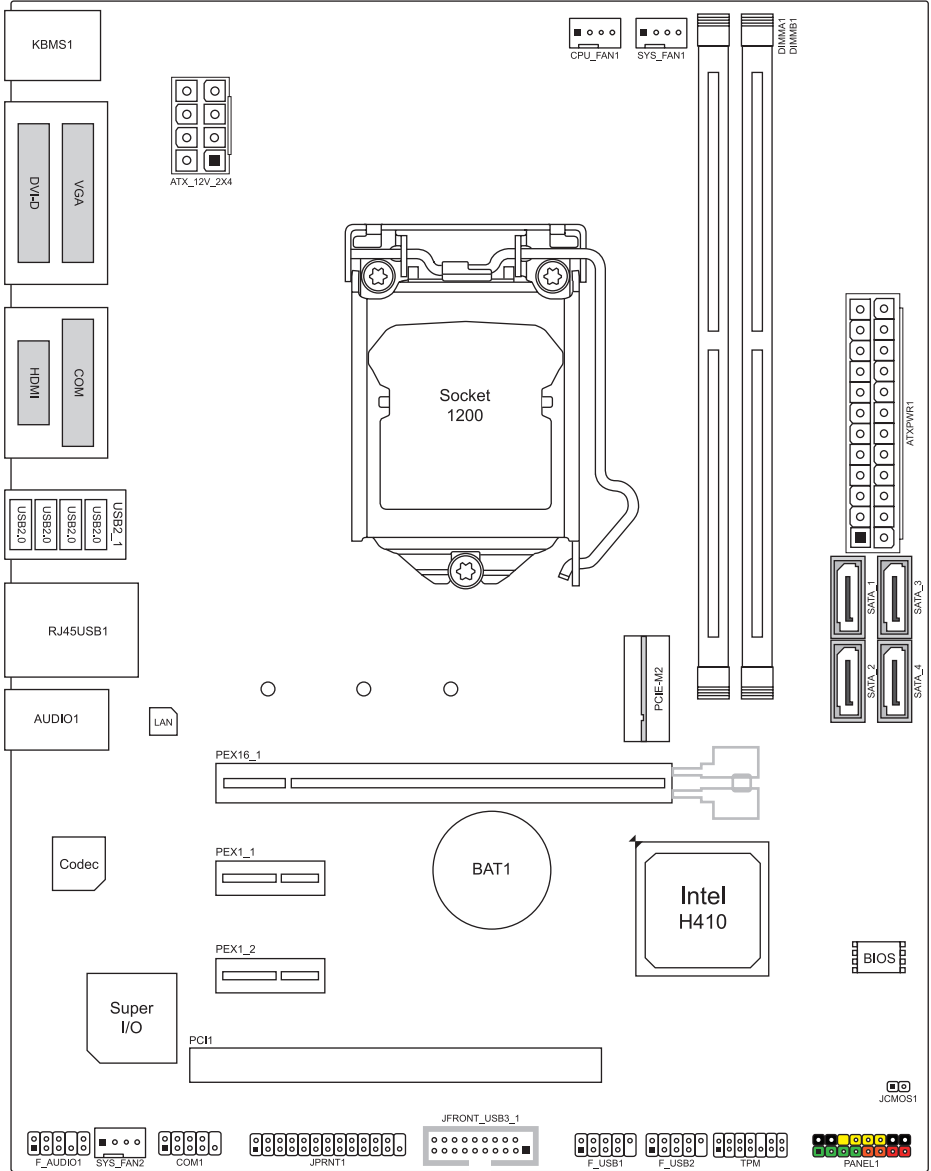
## 1.4 후면 패널 커넥터



### 주의

- » VGA/ DVI-D/ HDMI 포트는 오직 인텔® 통합 그래픽 프로세서에서만 동작합니다.
- » 최대 해상도
  - VGA: 1920 x 1200 @60Hz
  - DVI-D: 1920 x 1200 @60Hz
  - HDMI: 4096 x 2160 @24Hz (HDMI 1.4)
- » 메인보드는 동시에 두 개의 온보드 디스플레이 출력을 지원하며, 디스플레이 출력 구성은 인텔 그래픽 드라이버 유틸리티에서 선택될 수 있습니다.
- » 전면 HD 오디오 잭을 사용하여 헤드셋을 연결할 때 후면 사운드는 자동으로 나오지 않습니다.

### 1.5 마더보드 레이아웃



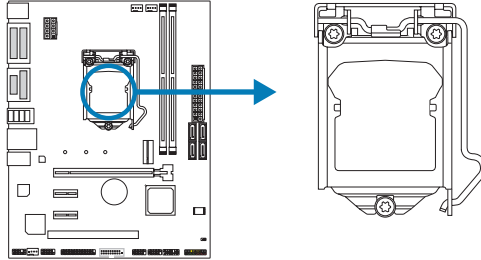
**주의**

» ■ 는 첫번째 핀을 표시합니다.

## 챕터 2: 하드웨어 설치

### 2.1 CPU 설치

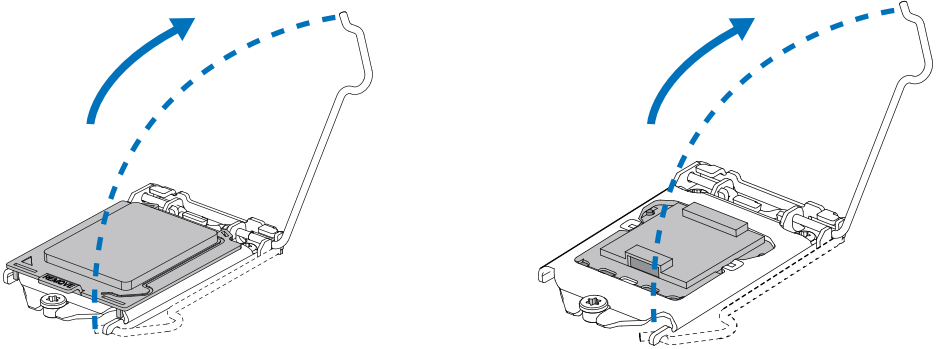
1단계: 메인보드의 CPU 소켓위치를확인해 주십시오.



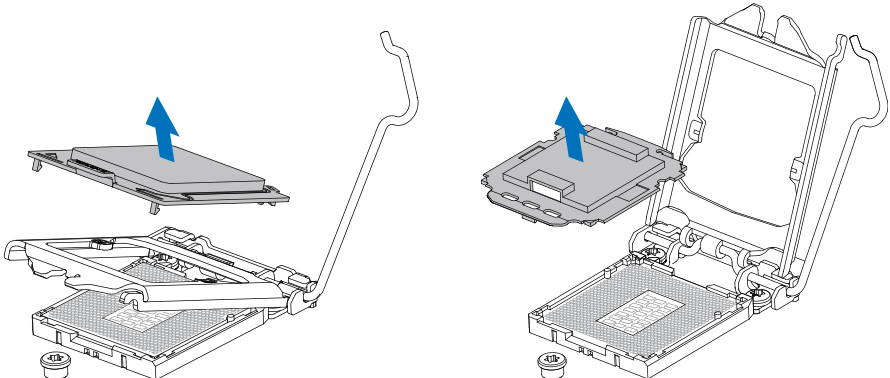
#### 주의

- » 설치 전에 핀 보호 커버를 제거하고, 추후 사용을 위해 잘 보관하시기 바랍니다. CPU를 제거 시소켓의 핀이 휘어지지 않도록 빈 소켓에 핀 보호 커버를 덮어 주십시오.
- » 메인보드에 두 가지 유형의핀 보호 커버가적용됩니다. 아래 안내문을 참조하여 핀 보호 커버를제거해 주십시오.

2단계: 소켓 잠금 레버를 소켓에서부터 당긴 후에 위로 당겨주십시오.

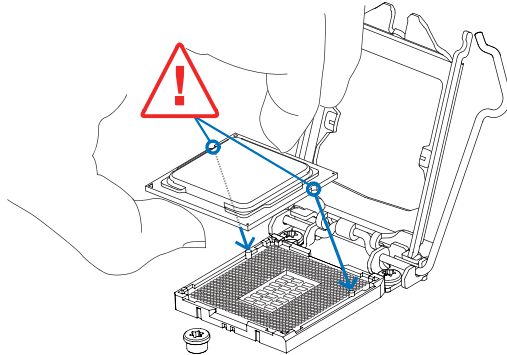


3단계: 핀 보호 커버를제거하여 주십시오.

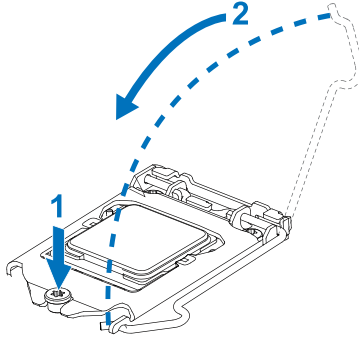




4단계: 엄지와 검지로 지시방향과 같이 CPU를 잡아 주십시오. 홈에 맞추어 CPU를 아래로 놓아 주십시오.



5단계: CPU를 단단히 고정하고 레버를 아래로 잠근 후 설치를 완료합니다.

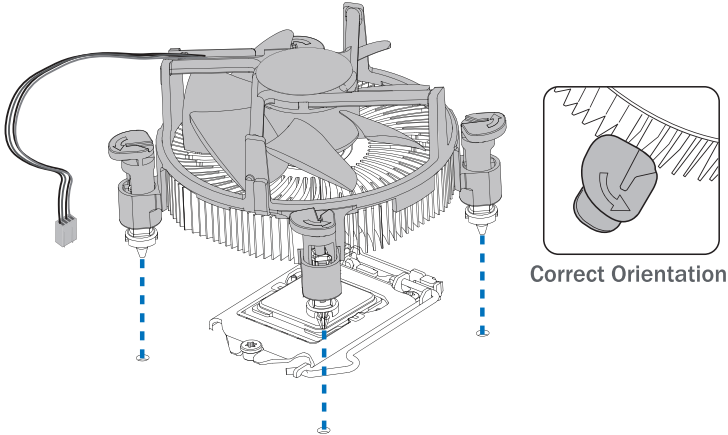


#### 주의

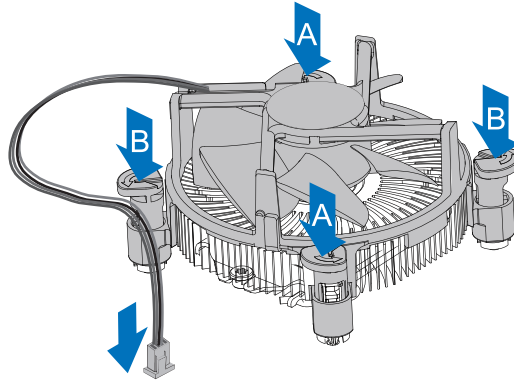
- » LGA1200 소켓용 CPU를 올바르게 설치했는지 확인하여 주십시오.
- » CPU는 오직 한 방향으로만 설치가 가능합니다. CPU가 손상되지 않도록 과도한 힘을 가하지 마십시오.

## 2.2 CPU 쿨러 설치

1단계: 설치된 CPU 위에 CPU 쿨러를놓고 네 개의잠금장치가 메인보드의 CPU 소켓 주변 홀에 정확히 위치하는지확인합니다. 방향에 맞춰 조립하고 CPU 팬 커넥터에 팬 케이블과 가장 가깝게 위치하도록하십시오.



2단계: 대각선 방향으로 한 번에 2개의 잠금장치를 아래로 밀어 제 자리에 CPU 쿨러가 장착되도록 합니다. 각잠금장치가정상적으로잠기면 딸깍하는 소리가 납니다.



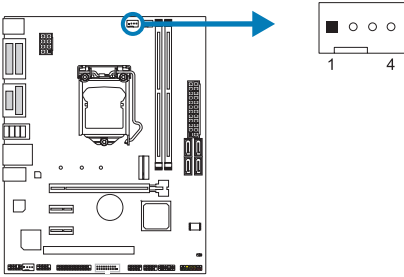
### 주의

- » 필요하다면, CPU 쿨러를 설치하기 전 CPU에 효과적인 열전도를 돕는 써멀 그리스 등을 바르시기 바랍니다.
- » CPU 팬 커넥터를 반드시 연결해야 합니다.
- » 적합한 설치를 위해, CPU 쿨러 설치 설명서를 부디 참조해 주십시오.

## 2.3 쿨링 팬 연결

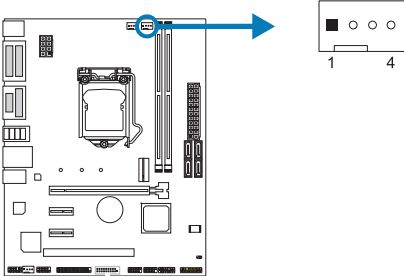
쿨링 팬 헤더에 쿨링 팬을 연결하여 컴퓨터에 장착하게 됩니다. 팬 케이블과 커넥터는 팬 제조사에 따라 달라질 수 있습니다.

### CPU\_FAN1: CPU 팬 헤더



핀	배열
1	Ground
2	+12V
3	FAN RPM rate sense
4	Fan Control

### SYS\_FAN1: 시스템 팬 헤더



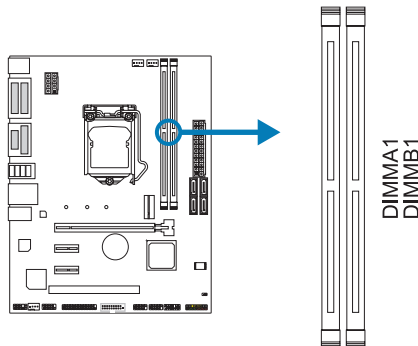
핀	배열
1	Ground
2	+12V
3	FAN RPM rate sense
4	Fan Control

#### 주의

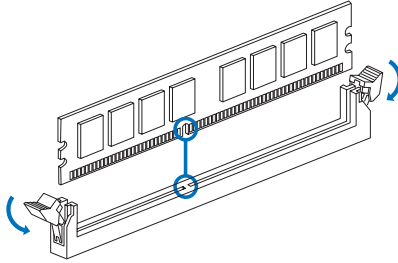
- » CPU\_FAN1/ SYS\_FAN1 은4-pin과3-pin 헤드 커넥터를 지원합니다. 커넥터에 전선을 연결할 때, 붉은 색 전선이 플러스(+)이고 핀#2에 반드시 연결되도록 주의하여 주십시오. 검은 색 전선은 그라운드이고 핀#1(GND)에 연결되어야 합니다.

## 2.4 시스템 메모리 설치

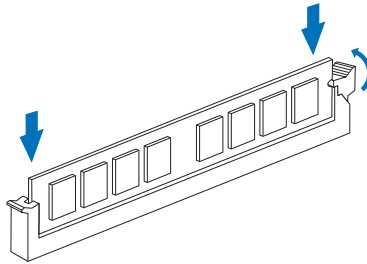
### DDR4 모듈



1단계: 고정 클립을 눌러 바깥으로 향하게 하여, 메모리를 설치할 수 있게 DIMM 슬롯을 열어줍니다. 메모리 홈의 위치가 슬롯 홈의 위치와 일치하도록 확인합니다.



2단계: 슬롯에 메모리를 수직으로 밀어 넣어 단단하게 장착하고, 고정 클립에서 딸깍 소리가 나는지 확인하여 메모리가 적합하게 자리를 잡은 것인지 확인합니다.



**주의**

» 메모리가 제대로 장착되지 않는다고 무리하게 설치하지 마십시오. 메모리를 제거한 후 다시 장착을 시도하시기 바랍니다.

**메모리 용량**

DIMM소켓 위치	DDR4 모듈	총 메모리 크기
DIMMA1	4GB/8GB/16GB/32GB	최대 64GB.
DIMMB1	4GB/8GB/16GB/32GB	

**듀얼 채널 메모리 설치**

듀얼 채널 기능을 활성화 하기 위해서는 다음의요구사항을 참조하시기 바랍니다: 동일 용량의 메모리 한 짝(2개를 아래의표와 같이 설치하여 주십시오).

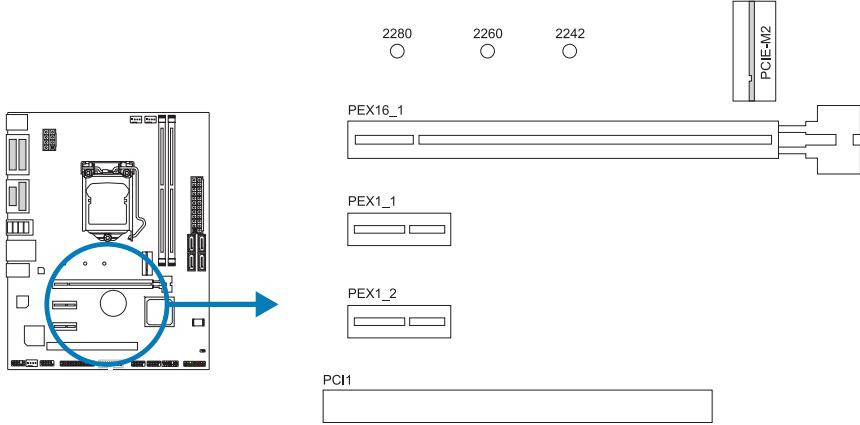
듀얼 채널 상태	DIMMA1	DIMMB1
비활성화	○	X
비활성화	X	○
가능	○	○

(○는 메모리가 설치된 상태를, X는 메모리가 설치되지 않은 상태를 의미합니다.)

**주의**

» 1개 이상의 메모리 모듈을 설치할 때에, 동일 브랜드, 동일 용량 메모리를 사용하는 것을 권장합니다.

## 2.5 확장 슬롯



### PCI: 주변기기 구성 요소 상호 연결 슬롯

- PC에서 사용되는 PCI 슬롯 지원 카드에는 LAN 카드, 사운드 카드, 모뎀, TV 튜너 카드 및 PCI 표준을 준수하는 기타 카드가 포함됩니다.

### PEX16\_1: PCI-Express 3세대 x16 슬롯

- PCI-Express 3.0 규격.
- 두 슬롯을 동시에 사용하는 경우 이론적인 최대 대역폭은 각 슬롯 당 16GB/s이며 총 32GB/s입니다.

### PEX1\_1/ PEX1\_2: PCI-Express 2세대 x1 슬롯

- PCI-Express 2.0 규격.
- 방향 당 데이터 전송 대역폭은 최대 500MB/s이며, 총 1GB/s 입니다.

### PCI-E-M2: M.2 (M Key) 슬롯

- M.2 슬롯은 M.2 타입 2242/2260/2280 SSD 모듈을 지원합니다. M.2 SSD 모듈을 장착할 때 육각 렌치를 사용하여올바른 위치에장착하여주십시오.
- M.2 PCI Express 모듈 Gen2 x2 (10Gb/s) - NVMe/AHCI SSD 및 M.2 SATA III (6.0Gb/s) 모듈 지원.

#### 주의

- » PCI-E-M2 룯에 SATA SSD 모듈을 사용한다면, SATA\_1 커넥터는 사용할 수 없습니다.

## 확장 카드 설치

다음의 단계에 따라 확장 카드를 장착할 수 있습니다 :

- 컴퓨터에 확장 카드를 설치하기 전에 확장 카드의 안내문을 읽으시기 바랍니다.
- 컴퓨터에서 케이스 커버, 볼트, 슬롯 브라켓을 제거합니다.
- 확장 슬롯에 카드를 놓고, 슬롯에 완벽하게 장착이 되도록 카드를 아래로 눌러 줍니다.
- 카드의 금속 브라켓을 케이스 후면 패널에 드라이버를 이용하여 고정합니다.(이 단계는 VGA 카드 설치에만 해당됩니다.)
- 컴퓨터 케이스 커버를 다시 덮어씁니다.
- 필요한 경우, 컴퓨터를 켜고 확장 카드 관련한 바이오스 설정을 변경합니다.
- 확장 카드 관련 드라이버를 설치합니다.

### 주의

» 나사를 설치하거나 제거하려면 M2 타입 드라이버를 사용해야 합니다. 사양에 맞지 않는 드라이버는 사용하지 않는 것이 좋습니다. 나사가 손상되었을 수 있습니다

## 2.6 점퍼 & 스위치 설정

아래의 일러스트는 어떻게 점퍼를 설정하는지 보여주고 있습니다. 점퍼 캡이 핀 위에 있으면 "닫힌 상태"이며, 그렇지 않으면 "열린 상태"입니다.

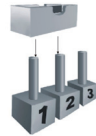
Pin opened



Pin closed

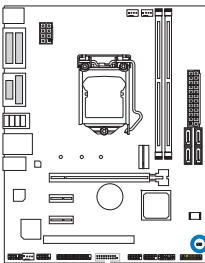


Pin 1-2 closed



### JCMOS1: CMOS 클리어 점퍼

점퍼는 사용자에게 바이오스 안전 설정과 CMOS 데이터를 복구할 수 있게 합니다. 메인보드가 손상되지 않도록 다음의 절차를 준수하시기 바랍니다.



핀 1-2 열림: 정상 작동 (기본값)



핀 1-2 닫힘: CMOS 데이터 클리어

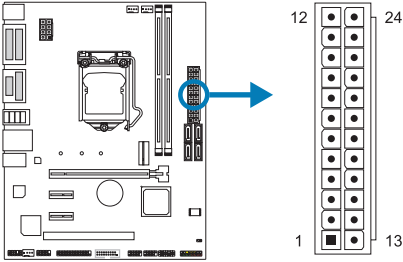
### CMOS 클리어 과정:

1. AC 파워 코드를 분리합니다.
2. 점퍼를 "핀 1-2 닫힘" 으로 설정하고, 두 개의 핀을 드라이버와 같은 금속 물체를 사용해 터치합니다.
3. 5초 가량 기다립니다.
4. CMOS 값이 지워진 후 점퍼가 "핀 1-2 열림"로 설정되어 있는지 확인합니다.
5. AC 파워 코드를 연결합니다.
6. 최적화된 기본값을 로드하고 CMOS에 설정을 저장합니다.

## 2.7 헤더 & 커넥터

### ATXPWR1: ATX 전원 커넥터

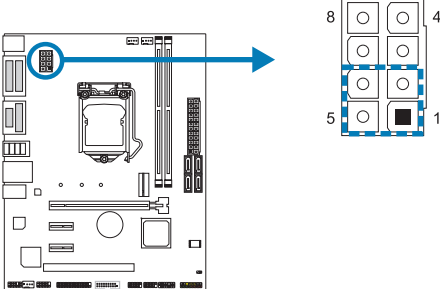
더 나은 호환성을 위해, 표준 24-핀 전원 공급장치의 사용을 추천합니다. 커넥터를 연결하기 전에 올바른 방향인지 확인하여 주십시오.



핀	배열	핀	배열
13	+3.3V	1	+3.3V
14	-12V	2	+3.3V
15	접지	3	접지
16	PS_ON	4	+5V
17	접지	5	접지
18	접지	6	+5V
19	접지	7	접지
20	NC	8	PW_OK
21	+5V	9	대기전압+5V
22	+5V	10	+12V
23	+5V	11	+12V
24	접지	12	+3.3V

### ATXPWR2: ATX 전원 커넥터

이 커넥터는 CPU 전력 회로로 +12V를 공급합니다. CPU 전력 플러그가 4핀이라면, ATXPWR2의 1-2-5-6핀에 꽂아주십시오.



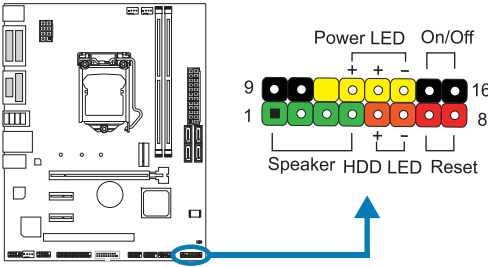
핀	정의
1	+12V
2	+12V
3	+12V
4	+12V
5	접지
6	접지
7	접지
8	접지

#### 주의

- » 시스템을 켜기 전, ATXPWR1 과 ATXPWR2 커넥터가 모두 잘 연결되어 있는지 확인하여 주십시오.
- » 시스템에 충분치 못한 전력이 공급된다면 적절하게 주변기가 동작하지 않거나 불안정해질 수 있습니다. 시스템이 소비하는 전력보다 더 높은 출력의 전원 공급 장치를 사용하는 것을 권장합니다.

## PANEL1: 전면 패널 헤더

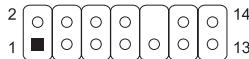
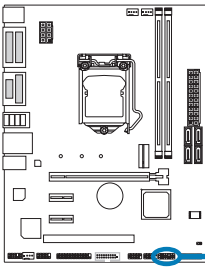
이 16핀 헤더는 파워-온, 리셋, HDD LED, 파워 LED, 스피커 연결을 포함하고 있습니다.



핀	배열	기능	핀	배열	기능
1	+5V	스피커 커넥터	9	N/A	파워 LED
2	N/A		10	N/A	
3	N/A		11	N/A	
4	Speaker	하드드라이브 LED	12	Power LED (+)	전원 버튼
5	HDD LED (+)		13	Power LED (+)	
6	HDD LED (-)		14	Power LED (-)	
7	Ground	리셋 버튼	15	Power button	전원 버튼
8	Reset control		16	Ground	

## TPM: 신뢰할 수 있는 플랫폼 모듈 헤더

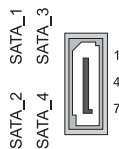
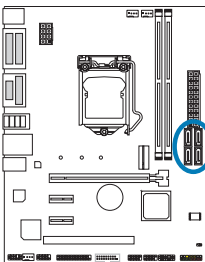
이 헤더를 사용하면 정보를 보호하는 암호화 키를 저장할 수 있습니다.



핀	정의	핀	정의
1	F_LAD0	2	+3V
3	F_LAD1	4	+3V
5	F_LAD2	6	TPM_24MHZ
7	F_LAD3	8	GND
9	L_FRAME_N	10	NC
11	SER_IRQ	12	PLTRST_N
13	CLK_RUN_N	14	+3V3_DUAL

## SATA\_1/ SATA\_2/ SATA\_3/ SATA\_4: 시리얼 ATA 커넥터

이 커넥터들은 SATA 케이블을 통해 SATA 하드 디스크 드라이브에 연결됩니다.



핀	배열
1	Ground
2	TX+
3	TX-
4	Ground
5	RX-
6	RX+
7	Ground

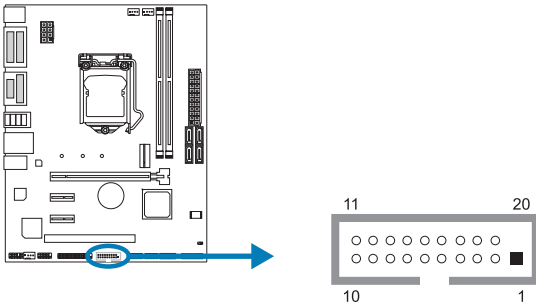
### 주의

» PCIe-M2 슬롯에 SATA SSD 모듈을 사용한다면, SATA\_1 커넥터는 사용할 수 없습니다.



### JFRONT\_USB3\_1: 전면 패널 USB 3.2(1세대) 포트용 헤더

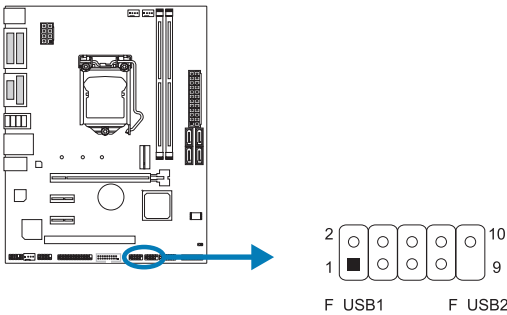
이 헤더는 사용자에게 PC 전면 패널에 USB 포트를 추가할 수 있게 하며, 광범위한 외장 장치들과 연결할 수 있습니다.



핀	배열	핀	배열
1	VBUS0	11	D2+
2	SSRX1-	12	D2-
3	SSRX1+	13	Ground
4	Ground	14	SSTX2+
5	SSTX1-	15	SSTX2-
6	SSTX1+	16	Ground
7	Ground	17	SSRX2+
8	D1-	18	SSRX2-
9	D1+	19	VBUS1
10	ID	20	Key

### F\_USB1/ F\_USB2: 전면 패널 USB 2.0 포트용 헤더

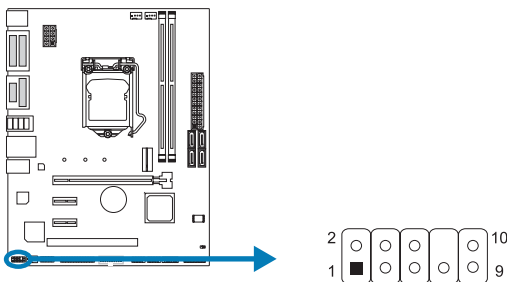
이 헤더는 사용자에게 PC 전면 패널에 USB 포트를 추가할 수 있게 하며, 광범위한 외장 장치들과 연결할 수 있습니다.



핀	배열
1	+5V (fused)
2	+5V (fused)
3	USB-
4	USB-
5	USB+
6	USB+
7	Ground
8	Ground
9	Key
10	NC

### F\_AUDIO1: 전면 패널 오디오 헤더

이 헤더는 사용자로 하여금 HD 그리고 AC'97 오디오 표준을 지원하는 케이스 전면 패널 오디오 입/출력 포트와 연결할 수 있게 합니다.



HD Audio		AC'97	
핀	배열	핀	배열
1	Mic Left in	1	Mic In
2	Ground	2	Ground
3	Mic Right in	3	Mic Power
4	GPIO	4	Audio Power
5	Right line in	5	RT Line Out
6	Jack Sense	6	RT Line Out
7	Front Sense	7	Reserved
8	Key	8	Key
9	Left line in	9	LFT Line Out
10	Jack Sense	10	LFT Line Out

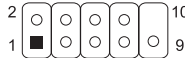
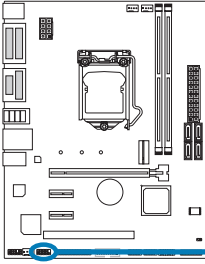
» 다음 페이지에 계속

### 주의

- » 전면 HD 오디오 잭을 사용하여 헤드셋을 연결할 때 후면 사운드는 자동으로 나오지 않습니다.
- » 메인보드의 HD 오디오를 사용하기 위해 HD 전면 패널 오디오 모듈을 이 커넥터에 연결하는 것을 권장합니다.
- » AC'97 전면 오디오 출력 케이블을 사용하기를 원한다면, "전면 패널 잭 감지" 기능을 해제하여 주시십시오. 기능은 O.S 오디오 유틸리티에서 발견할 수 있습니다.

### COM1: 직렬포트

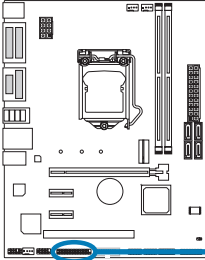
본 메인 보드는 1개의 직렬포트가 있으며 RS-232 커넥터를 연결할 수 있습니다.



핀	배열
1	캐리어 검출
2	데이터 수신
3	데이터 전송
4	데이터 단말 준비
5	접지 신호#
6	데이터 세트 준비
7	전송 요구#
8	전송 취소#
9	벨소리 표시기
10	Key

### JPRINT1: 프린터 포트 헤더

이 헤더를 사용하면 PC의 프린터를 연결할 수 있습니다.



핀	배열	핀	배열
1	-Strobe	14	Ground
2	-ALF	15	Data 6
3	Data 0	16	Ground
4	-Error	17	Data 7
5	Data 1	18	Ground
6	-Init	19	-ACK
7	Data 2	20	Ground
8	-Scltin	21	Busy
9	Data 3	22	Ground
10	Ground	23	PE
11	Data 4	24	Ground
12	Ground	25	SCLT
13	Data 5	26	Key

## 챕터 3: UEFI 바이오스 & 소프트웨어

### 3.1 UEFI 바이오스 설정

- 바이오스 설정 프로그램은 컴퓨터의 바이오스 설정을 보거나 변경할 때 사용됩니다. 바이오스 설정 프로그램은 POST 메모리 테스트가 시작되고 운영 체제가 부팅되기 전에 <DEL>키를 눌러 진입할 수 있습니다.
- UEFI 바이오스의 더 자세한 정보는 웹사이트의 UEFI 바이오스 설명서를 참조하여 주십시오.

### 3.2 바이오스 업데이트

바이오스는 다음의 유틸리티 중의 하나를 사용하여 업데이트가 가능합니다:

- **BIOSTAR BIO-Flasher:** 이 유틸리티를 사용하면, 하드 디스크, USB 드라이브(플래시 드라이브 또는 USB 하드 드라이브) 또는 CD-ROM으로 가지고 바이오스 업데이트가 가능합니다.
- **BIOSTAR BIOS UPDATE UTILITY:** 윈도우 환경에서 자동으로 업데이트가 가능합니다. 이 유틸리티를 사용하면, 하드 디스크, USB 드라이브(플래시 드라이브 또는 USB 하드 드라이브) 또는 CD-ROM, 웹 상에서의 파일 위치에서 바이오스 업데이트가 가능합니다.

#### BIOSTAR BIO-Flasher

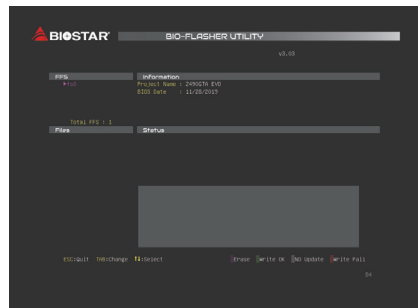
##### 주의

- » 이 유틸리티는 오직 FAT32/16 포맷과 싱글 파티션의 스토리지 장비에서 사용이 가능합니다.
- » 바이오스 업데이트 중 PC가 꺼지거나 리셋이 되면, 시스템 부팅에 실패할 수도 있습니다.

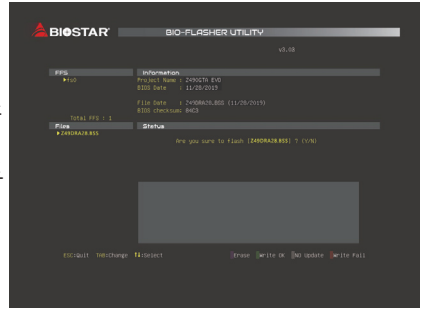
#### BIOSTAR BIO-Flasher 서로바이오스업데이트하기

1. 웹사이트에서 메인보드에 맞는 최신 바이오스를 다운로드합니다.
2. USB 플래시(펜) 드라이브에 바이오스 파일을 복사하고 저장합니다. (오직 FAT/FAT32 포맷만 지원)
3. 바이오스 파일이 들어있는 USB 펜드라이브를 USB 포트에 연결합니다.
4. 컴퓨터를 켜거나 리셋하고, POST가 진행되는 동안 <F12>를 누릅니다.

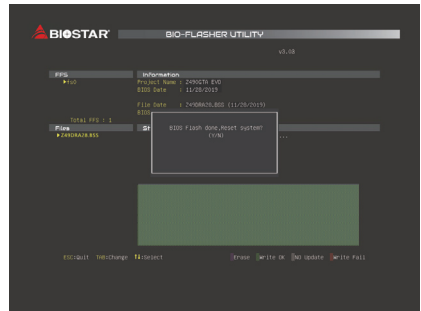
5. POST 스크린에 들어가면 바이오- 플래시 유틸리티가 나옵니다. <fs0>를 선택하여 바이오스 파일을 찾습니다.



6. 적합한 바이오스 파일을 선택하고, 바이오스 파일 업데이트 여부를 확인하는 메시지가 뜹니다. "Yes"를 클릭하여 바이오스를 업데이트 하기 시작합니다.



7. 바이오스 업데이트가 완료된 후 시스템재시작 여부를 묻는 메시지가 나옵니다. <Y>키를 눌러 시스템을 다시 시작합니다.



8. 시스템이 부팅되고, 풀 스크린 로고가 등장하는 동안, <DEL>키를 눌러 바이오스 설정에 진입합니다. 바이오스 설정에 진입한 후, <Save & Exit> - <Restore Defaults> 기능을 사용하여, 최적화된 기본값을 로딩합니다. <Save Changes and Reset>를 선택하고 컴퓨터를 다시 시작하면, 바이오스 업데이트가 완료됩니다.

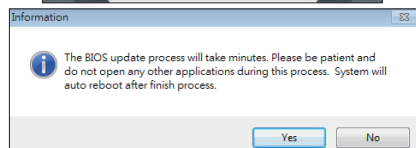
### 바이오스 업데이트 유틸리티 (인터넷을 통한)

1. DVD드라이버에 담겨있는 바이오스 업데이트 유틸리티를 설치합니다.
2. 기능을 사용하기 전에 시스템이 인터넷에 연결이 되어있는지 확인합니다.

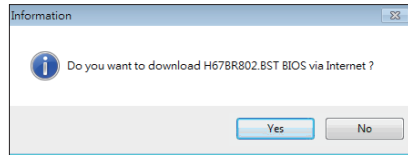
3. 바이오스 업데이트 유틸리티를 실행하고, 메인 스크린에서 "온라인 업데이트(Online Update)" 버튼을 클릭합니다.



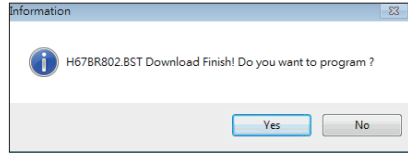
4. 바이오스 업데이트를 시작하기 위해, 사용자의 동의를 요청하는 대화 상자가 나타나고, "Yes"를 클릭하면 온라인 업데이트 과정을 시작합니다.



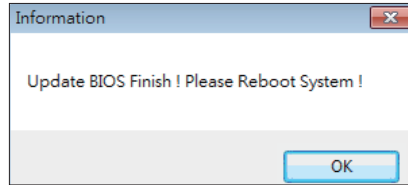
5. 새로운 바이오스 버전이 있으면, 사용자에게 다운로드 여부를 물을 것이며, "Yes"를 클릭하여 진행합니다.



6. 다운로드가 완료된 후, 바이오스의 업데이트 여부를 물을 것이며, "Yes"를 클릭하면 업데이트를 진행합니다.



7. 업데이트 과정을 마친 후, 시스템을 다시 부팅할 것인지 물을 것이며, "OK"를 클릭하면 다시 부팅합니다.



8. 시스템이 부팅되고, 풀 스크린 로고가 등장하는 동안, <DEL>키를 눌러 바이오스 설정에 진입합니다. 바이오스 설정에 진입한 후, <Save & Exit> - <Restore Defaults> 기능을 사용하여, 최적화된 기본값을 로딩합니다. <Save Changes> 와 <Reset>를 선택하고 컴퓨터를 다시 시작하면, 바이오스 업데이트가 완료됩니다.

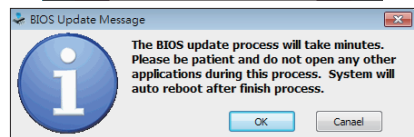
### **바이오스 업데이트 유틸리티(바이오스 파일을 통한)**

1. DVD드라이버에 담겨있는 바이오스 업데이트 유틸리티를 설치합니다.
2. <http://www.biostar.com.tw/app/kr/support/download.php>에서 제품을 검색하여 적합한바이오스를다운로드합니다.

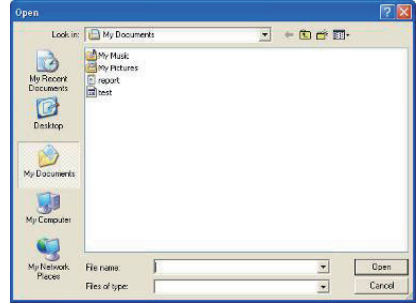
3. 바이오스 업데이트 유틸리티를 실행하고, 메인 스크린에서 "업데이트 바이오스(Update BIOS)" 버튼을 클릭합니다.



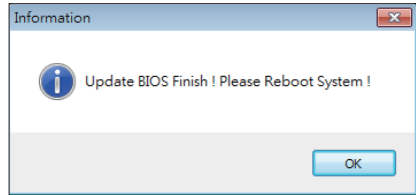
4. 바이오스 업데이트를 시작하기 위해, 사용자의 동의를 요청하는 경고 메시지가 나타나고, "OK"를 클릭하고 업데이트 과정을 시작합니다.



5. 시스템의 바이오스 파일이 있는 위치를 선택하신 후, 적합한 바이오스 파일이 맞는지 확인하고 "열기(Open)"를 클릭합니다. 이 과정은 몇 분의 시간이 필요하니, 진행되는 동안 잠시 기다리시기 바랍니다.



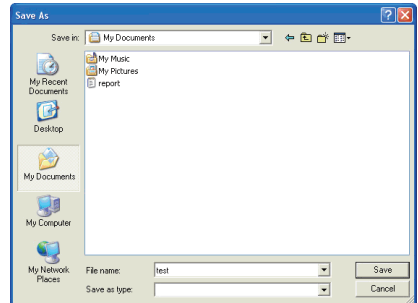
6. 바이오스 업데이트 과정을 마친 후, 시스템을 다시 부팅할 것인지 물을 것이며, "OK"를 클릭하면 다시 부팅합니다.



7. 시스템이 부팅되고, 풀 스크린 로고가 등장하는 동안, <DEL>키를 눌러 바이오스 설정에 진입합니다. 바이오스 설정에 진입한 후, <Save & Exit> - <Restore Defaults> 기능을 사용하여, 최적화된 기본값을 로딩합니다. <Save Changes and Reset>를 선택하고 컴퓨터를 다시 시작하면, 바이오스 업데이트가 완료됩니다.

### 바이오스의 백업

바이오스의 백업을 위해 메인 스크린에서 바이오스 백업하기 버튼을 클릭합니다. 시스템에서 백업 바이오스 파일에 적합한 위치를 선택하고 "저장하기(Save)"를 클릭합니다.



### 3.3 소프트웨어

#### 소프트웨어의 설치

1. 광학 드라이브에 시작 DVD를 넣은 후, 자동 실행 기능이 활성화 되면 드라이버 설치 프로그램이 나타납니다.
2. 소프트웨어 설치를 선택하고, 각각의 소프트웨어 타이틀을 클릭합니다.
3. 스크린 상의 지시사항을 준수한 후, 설치를 마칩니다.

#### 소프트웨어의 실행

설치 과정을 마친 후, 데스크톱에서 소프트웨어 아이콘을 볼 수 있습니다. 아이콘을 더블-클릭하여 실행합니다.

#### 주의

- » 다음의 소프트웨어와 관련된 모든 정보와 내용은 사전 고지 없이 변경될 수 있습니다. 더 나은 성능을 위해, 소프트웨어는 끊임없이 업데이트 됩니다.
- » 아래에 제공된 정보와 사진은 참고용이며, 보드의 실제 정보와 설정은 본 설명서와 다소 다를 수 있습니다.

#### 바이오스크린 유틸리티(BIOScreen Utility)

이 유틸리티는 사용자에게 개성화된부트로고를쉽게만들 수 있게 합니다. 컴퓨터를 개인을 맞추기 위해BMP를 부트로고로 선택할 수 있습니다.



부트 로고를 업데이트 하기 위해 아래 지시사항을 순서대로 준수하시기 바랍니다 :

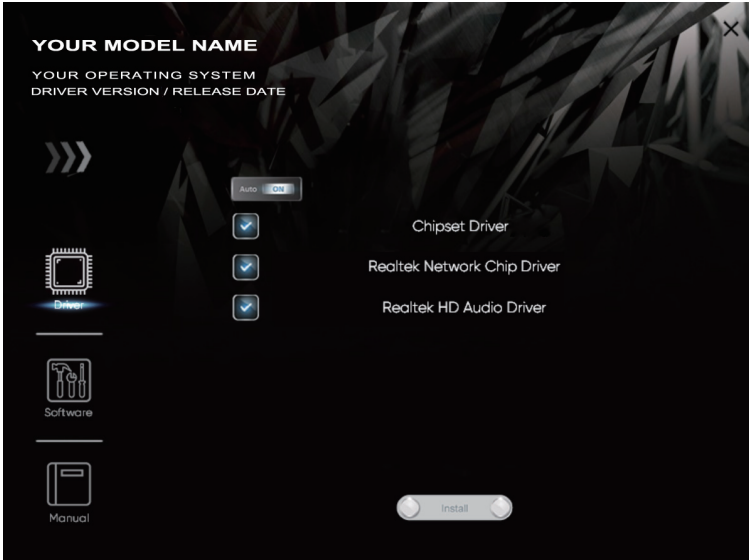
- 이미지 로딩: 부트 로고로 사용될 사진을 선택하여 주십시오.
- 변형: 바이오스에 맞게 사진을 변형하고, 그 결과를 미리 확인하십시오.
- 업데이트 바이오스: 바이오스 메모리에 사진을 업로드하고, 업데이트를 마칩니다.

## 챕터 4: 유용한 도움말

### 4.1 드라이버 설치

운영체제를 설치한 후에, 광학 드라이브에 드라이버 DVD를 넣고 더 나은 시스템 성능을 위해 드라이버를 설치하여 주십시오.

DVD를 넣은 후 다음과 같은 창을 보게 될 것입니다.



설정 가이드는 사용자의 마더보드와 운영 체제를 자동으로 감지합니다.

#### A. 드라이버 설치

드라이버 설치를 위해, 드라이버 아이콘을 클릭합니다. 설정 가이드가 사용자의 마더보드, 운영 체제와 호환되는 드라이버 리스트를 표시합니다. 설치 프로그램을 실행하기 위해 각각의 장치 드라이버를 클릭합니다.

#### B. 소프트웨어 설치

소프트웨어 설치를 위해, 소프트웨어 아이콘을 클릭합니다. 설정 가이드가 사용자의 시스템에서 사용이 가능한 소프트웨어 리스트를 표시합니다. 설치 프로그램을 실행하기 위해 각각의 소프트웨어 타이틀을 클릭합니다.

#### C. 설명서

책 타입의 설명서를 제외하고, 바이오스타는 드라이버 DVD에 설명서를 제공하고 있습니다. 사용 가능한 설명서는 설명서 아이콘을 클릭한 후 열람/탐색이 가능합니다.

#### 주의

- » 드라이버 DVD를 삽입한 후 이 윈도우가 나타나지 않았다면, 광학 드라이브에서 SETUP.EXE를 실행하여 파일 브라우저를 이용하여 주십시오.
- » 설명서 파일을 열기 위해 아크로벳 리더가 필요합니다. <http://get.adobe.com/reader>에서 아크로벳 리더 소프트웨어의 최신 버전을 다운로드 받아 사용하십시오.
- » 그림에 사용된 마더 보드는 실제 마더 보드와 다를 수 있습니다. 이 그림은 참조 용입니다.



## 4.2 AMI 바이오스 비프 코드

### 부트 블록 비프 코드

비프음 횟수	설명
Continuing	메모리 사이징 에러 또는 메모리 모듈 발견되지 않음

### POST 바이오스 비프 코드

비프음 횟수	설명
1	부팅 성공
8	디스플레이 메모리 에러 (시스템 비디오 어댑터)

## 4.3 AMI 바이오스 포스트 코드

코드	설명
10	PEI 코어 시작됨
11	메모리 이전 CPU 초기화 시작됨
15	메모리 이전 노스 브릿지 초기화 시작됨
19	메모리 이전 사우스 브릿지 초기화 시작됨
2B	메모리 초기화. 직렬 프래즌스 검출 (SPD) 데이터 읽기
2C	메모리 초기화. 메모리 프래즌스 검출
2D	메모리 초기화. 프로그래밍 메모리 타이밍 정보
2E	메모리 초기화. 메모리 구성
2F	메모리 초기화 (기타).
31	메모리 설치됨
32	CPU 메모리 이후 초기화 시작됨
33	CPU 메모리 이후 초기화. 캐쉬 초기화
34	CPU 메모리 이후 초기화. 어플리케이션 프로세서(AP) 초기화
35	CPU 메모리 이후 초기화. 부트 스트랩 프로세서(BSP) 선택
36	CPU 메모리 이후 초기화. 시스템 매니지먼트 모드 (SMM) 초기화
37	메모리 이후 노스 브릿지 초기화 시작됨
3B	메모리 이후 노스 브릿지 초기화 (노스 브릿지 고유 모듈)
4F	DXE IPL 시작됨
60	DXE 코어 시작됨
F0	펌웨어에 의해 동작된 복구 조건 (자동 복구)
F1	사용자에 의해 동작된 복구 조건(강제 복구)
F2	복구 과정 시작됨
F3	복구 펌웨어 이미지 발견됨
F4	복구 펌웨어 이미지 로딩됨
E0	S3 Resume 시작됨 (S3 Resume PPI, DXE IPL에 의해 호출됨)
E1	S3 부트 스크립트 실행
E2	비디오 리포트
E3	OS S3 웨이크 벡터 호출
60	DXE 코어 시작됨
61	NVRAM 초기화
62	사우스 브릿지 런타임 서비스 설치
63	CPU DXE 초기화 시작됨
68	PCI 호스트 브릿지 초기화
69	노스 브릿지 DXE 초기화 시작됨
6A	노스 브릿지 DXE SMM 초기화 시작됨

코드	설명
70	사우스 브릿지 DXE 초기화 시작됨
71	사우스 브릿지 DXE SMM 초기화 시작됨
72	사우스 브릿지 장치 초기화
78	사우스 브릿지 DXE 초기화 (사우스 브릿지 고유 모듈)
79	ACPI 모듈 초기화
90	부트 장치 선택 (BDS) 페이지 시작됨
91	드라이버 연결 시작됨
92	PCI 버스 초기화 시작됨
93	PCI 버스 핫 플러그 컨트롤러 초기화
94	PCI 버스 열거
95	PCI 버스 요청 자원
96	PCI 버스 할당 자원
97	콘솔 출력 장치 연결
98	콘솔 입력 장치 연결
99	슈퍼 IO 초기화
9A	USB 초기화 시작됨
9B	USB 리셋
9C	USB 감지
9D	USB 활성화
A0	IDE 초기화 시작됨
A1	IDE 리셋
A2	IDE 감지
A3	IDE 활성화
A4	SCSI 초기화 시작됨
A5	SCSI 리셋
A6	SCSI 감지
A7	SCSI 활성화
A8	설정 검증 패스워드
A9	설정의 시작
AB	설정 입력 대기
AD	부트 이벤트 준비
AE	레거시 부트 이벤트
AF	부트 서비스 이벤트 퇴장
B0	런타임 세트 가상 주소 MAP 시작
B1	런타임 세트 가상 주소 MAP 종료
B2	레거시 옵션 ROM 초기화
B3	시스템 리셋
B4	USB 핫 플러그
B5	PCI 버스 핫 플러그
B6	NVRAM 정리
B7	설정 리셋(NVRAM 설정 리셋)

## 4.4 문제 해결

증상	해결책
<p>1. 시스템에 전원이 들어오지 않는다. 파워 LED가 반짝이지 않는다; 전원 공급 장치의 팬이 동작하지 않는다.</p> <p>2. 키보드의 인디케이터 불이 들어오지 않는다.</p>	<p>1. 전원 케이블이 제대로 연결되어 있는지 확인한다.</p> <p>2. 케이블을 교체해본다.</p> <p>3. 기술 지원부서에 연락한다.</p>
<p>시스템이 동작하지 않는다. 키보드 라이트는 들어와 있고, 파워 인디케이터 라이트 역시 켜져 있고, 하드 드라이브는 동작중이다.</p>	<p>메모리 양쪽 끝에 힘을 주어 아래로 밀면서, 모듈이 딸깍 소리를 내며 슬롯에 장착이 되는지 확인한다.</p>
<p>하드디스크로 부팅이 되지 않지만, 광학 드라이브를 통해서 부팅이 된다.</p>	<p>1. 케이블을 확인하고, 양 쪽 끝이 제대로 연결되어 있는지 점검한다. 표준 CMOS 설정에서 드라이브 타입을 체크한다.</p> <p>2. 하드 드라이브를 백업하는 것은 지극히 중요한 일이며, 모든 하드 드라이브는 언제라도 고장날 수 있다.</p>
<p>광학 드라이브에서만 부팅이 되며, 하드 디스크는 읽기가 가능하며, 어플리케이션은 사용이 가능하다. 하지만 하드 디스크로는 부팅에 실패한다.</p>	<p>1. 데이터와 어플리케이션 파일을 백업한다.</p> <p>2. 하드 드라이브를 다시 포맷하고, 어플리케이션과 데이터를 다시 설치한다.</p>
<p>“유효하지 않은 구성” 또는 “CMOS 실패”라는 메시지가 화면에 나타났다.</p>	<p>시스템 장비를 다시 살펴본다. 올바른 정보로 설정되어 있는지 확인한다.</p>
<p>두번째 하드 드라이브를 설치한 후 시스템이 부팅되지 않는다.</p>	<p>1. 마스터/슬레이브 점퍼를 바르게 설정한다.</p> <p>2. 시작 프로그램을 구동한 후 드라이브 타입을 바르게 선택한다. 다른 드라이브와의 호환성 체크를 위해 드라이브 제조사에 연락을 한다.</p>

## **CPU의 과열**

시스템에 전원을 인가하고 수 초 후에 저절로 시스템이 꺼진다면 그것은 CPU 보호 기능이 활성화된 것을 의미합니다.

CPU가 과열되면, 마더보드는 CPU의 손상을 방지하기 위해 자동으로 전원을 차단하며, 시스템은 다시 전원이 들어오지 않을 수 있습니다.

이런 경우에, 더블 체크가 필요합니다:

1. CPU 쿨러 표면이 CPU 표면 위에 평평하게 자리잡고 있는지 살펴봅니다.
2. CPU 팬이 정상적으로 도는지 체크합니다.
3. CPU 팬 스피드가 CPU 동작 속도와 적합한 지 여부를 체크합니다.

확인 후, CPU 보호 기능을 해제하기 위해 아래와 같은 과정을 수행합니다.

1. 전원 공급 장치에서 몇 초 간 파워 코드를 제거합니다.
2. 몇 초 간 기다립니다.
3. 파워 코드를 다시 연결하고 시스템을 부팅합니다.

또는 이렇게 할 수 있습니다:

1. CMOS 데이터를 클리어합니다. ("CMOS 헤더 닫기: JCMOS1" 섹션을 참조하여 주십시오)
2. 몇 초 간 기다립니다.
3. 시스템의 전원을 다시 켵니다.

## FCC條款

本裝置經測試，證實依據FCC規範第15篇規定，符合Class B數位裝置的限制。這些限制旨在提供合理的保護以防範有害的干擾。本設備會產生、使用並發出無線射頻能量，如未依指示進行安裝與使用，可能會對無線電通訊造成有害的干擾。然而，無法保證在任一特定安裝情況下不會產生任何干擾。如果本設備確實對無線電或電視收訊造成有害的干擾(可透過開啟和關閉設備電源的方式確定)，則我們鼓勵使用者嘗試下列其中一項或多項方式來改善干擾情況：

- 重新調整接收天線的方向或位置。
- 增加設備與接收器之間的時間距離。
- 將設備連接至與接收器所接電路不同的電源插座。
- 諮詢經銷商或有經驗的無線電/電視技術人員以尋求協助。

本用戶手冊內容的變更，恕不另行通知，製造商保留變更的權利。

本用戶手冊的所有內容若有任何錯誤，製造商沒有義務為其承擔任何責任。所有商標和產品名稱均有其各自所有權。

未經過書面許可，不得以任何形式(部分或全部)複製此手冊資料。

## 免責說明

本手冊內容為BIOSTAR®智慧財產權，版權歸BIOSTAR®所有。我們本著對用戶負責的態度，精心地編寫該手冊，但不保證本手冊的內容完全準確無誤。BIOSTAR®有權利在不知會用戶的前提下對產品不斷地進行改良、升級及對手冊內容進行修正，實際狀況請以產品實物為準。本手冊為純技術文檔，無任何暗示及影射第三方之內容，且不承擔排版錯誤導致的用戶理解歧義混淆。本手冊中所涉及的第三方註冊商標所有權歸其製造商或品牌所有人。



### CE符合性簡短聲明

我們聲明此產品符合現行標準，並滿足2004/108/CE、2006/95/CE 和1999/05/CE指令規定的所有基本要求。

## 防靜電操作規則

靜電可能嚴重損壞您的設備，在處理主板以及其它的系統設備的時候要特別注意，避免和主板上的系統零件的不必要接觸，保持在抗靜電的環境下工作，避免靜電放電可能對主板造成損壞，當在您的機箱中插入或者移除設備時，請確保電源處於關閉狀態，廠商對於不遵照本操作規則或者不遵守安全規範而對主板造成的損壞概不負責。



### 警告

主板易受靜電損壞  
請遵守操作規則



# 目錄

<b>第一章: 主板介绍 .....</b>	<b>3</b>
1.1 前言 .....	3
1.2 包裝配件 .....	3
1.3 主板特性 .....	4
1.4 後側面板介面 .....	5
1.5 主板結構圖 .....	6
<b>第二章: 硬體安裝 .....</b>	<b>7</b>
2.1 中央處理器(CPU) .....	7
2.2 散熱片 .....	9
2.3 風扇接頭 .....	10
2.4 系統記憶體 .....	10
2.5 擴充插槽 .....	12
2.6 跳線設定 .....	13
2.7 接頭和插槽 .....	14
<b>第三章: UEFI BIOS和軟體 .....</b>	<b>18</b>
3.1 UEFI BIOS設定 .....	18
3.2 更新BIOS .....	18
3.3 軟體 .....	22
<b>第四章: 幫助訊息 .....</b>	<b>23</b>
4.1 驅動程式安裝與注意事項 .....	23
4.2 AMI BIOS 提示音代碼 .....	24
4.3 AMI BIOS 開機自檢代碼 .....	24
4.4 問題解答 .....	26
<b>附錄：產品中有毒有害物質或元素的名稱及含量 .....</b>	<b>38</b>

# 第一章: 主板介绍

## 1.1 前言

感谢您選購我們的產品，在開始安裝主板前，請仔細閱讀以下安全指導說明：

- 選擇清潔穩定的工作環境。
- 操作前請確保電腦關閉電源。
- 從抗靜電袋取出主板之前，先使用靜電消除器或防靜電手環去除靜電以確保安全。
- 避免觸摸主板上的零件，手持电路板的邊緣，請勿折彎或按壓电路板。
- 安裝之後，確認沒有任何小零件置於機箱中，一些小的零件可能會引起電流短路並可能損壞設備。
- 確保電腦遠離危險區域，如：高溫、潮濕、靠近水源的地方。須確保電腦遠離危險。
- 電腦的工作溫度應保持在0-45°C之間。
- 為避免受傷，請注意以下幾點：
  - 主板或連接器上尖銳的針腳
  - 機箱上的粗糙邊緣和尖角
  - 損壞的電纜可能引起短路

## 1.2 包裝配件

- Serial ATA排線 x2
- ATX機箱後側I/O面板 x1
- 安裝指南 x1
- 驅動光碟 x1 (包括安裝驅動)

---

### 注意

» 此清單可能因銷售區域或主板型號不同而有差異，相關標準配備詳情請諮詢當地經銷商。

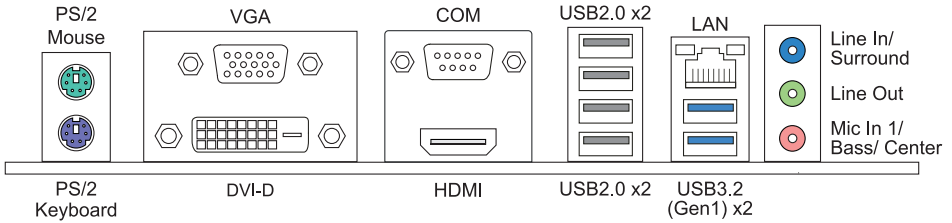
---

## 1.3 主板特性

規格	
CPU支援	第10代1200插槽 · 支援Intel® Core/ Pentium/ Celeron處理器 * 第10代Intel® Core™處理器系列僅支援400系列。 * 請瀏覽映泰網站 <a href="http://www.biostar.com.tw">www.biostar.com.tw</a> 獲得CPU的支援列表
晶片組	INTEL® H410
記憶體	支援雙通道DDR4 1866/ 2133/ 2400/ 2666/ 2933 2x DDR4 DIMM插槽 · 支援最高容量為64GB 每根DIMM支援non-ECC 4/ 8/ 16/ 32 GB DDR4記憶體模組 * 請瀏覽映泰網站 <a href="http://www.biostar.com.tw">www.biostar.com.tw</a> 獲得記憶體的支援列表
儲存	4x SATA III接頭 (6Gb/s) 1x M.2 (M Key) 插槽: 支援 M.2 Type 2242/ 2260/ 2280 SSD模組 支援 PCI-E 2.0 x2 (10Gb/s) - NVMe/ AHCI SSD & SATA III (6Gb/s) SSD * 當安裝SATA SSD模組於PCI-E-M2插槽 · SATA_1接頭將會被禁用。
網路	RTL8111H 10/ 100/ 1000 Mb/s 半/全雙功能 · 自動協商模式
音效	ALC887 8聲道 · 支援高解析音效輸出
USB	4x USB 3.2(Gen1)連接埠(後側面板2個連接埠 · 內連接頭支援2個連接埠) 8x USB 2.0連接埠(後側面板4個連接埠 · 內連接頭支援4個連接埠)
擴充插槽	1x PCI插槽 2x PCIe 2.0 x1插槽 1x PCIe 3.0 x16插槽
後側面板接頭	1x PS/2鍵盤連接埠 1x PS/2滑鼠連接埠 1x DVI-D連接埠 1x VGA連接埠 1x HDMI連接埠 1x COM連接埠 2x USB3.2 (Gen1)連接埠 4x USB2.0連接埠 1x LAN連接埠 3x 音效連接埠
內建接頭連接埠	4x SATA III接頭 (6Gb/s) 2x USB2.0連接埠(每個接頭支援2個USB2.0連接埠) 1x USB3.2(Gen1)連接埠(每個接頭支援2個USB3.2(Gen1)連接埠) 1x 電源插槽(8-pin) 1x 電源插槽(24-pin) 1x CPU風扇接頭 2x 系統風扇接頭 1x 前置面板接頭 1x 前置音效接頭 1x 清除CMOS組態資料接頭 1x 印表機接頭 1x 序列埠接頭 1x TPM安全模組接頭
主板尺寸	uATX 型式規格 · 244 mm x 191 mm
操作系統支援	Windows 10(64bit) * 如有增加或減少任何OS支援 · Biostar保留不預先通知的權利。



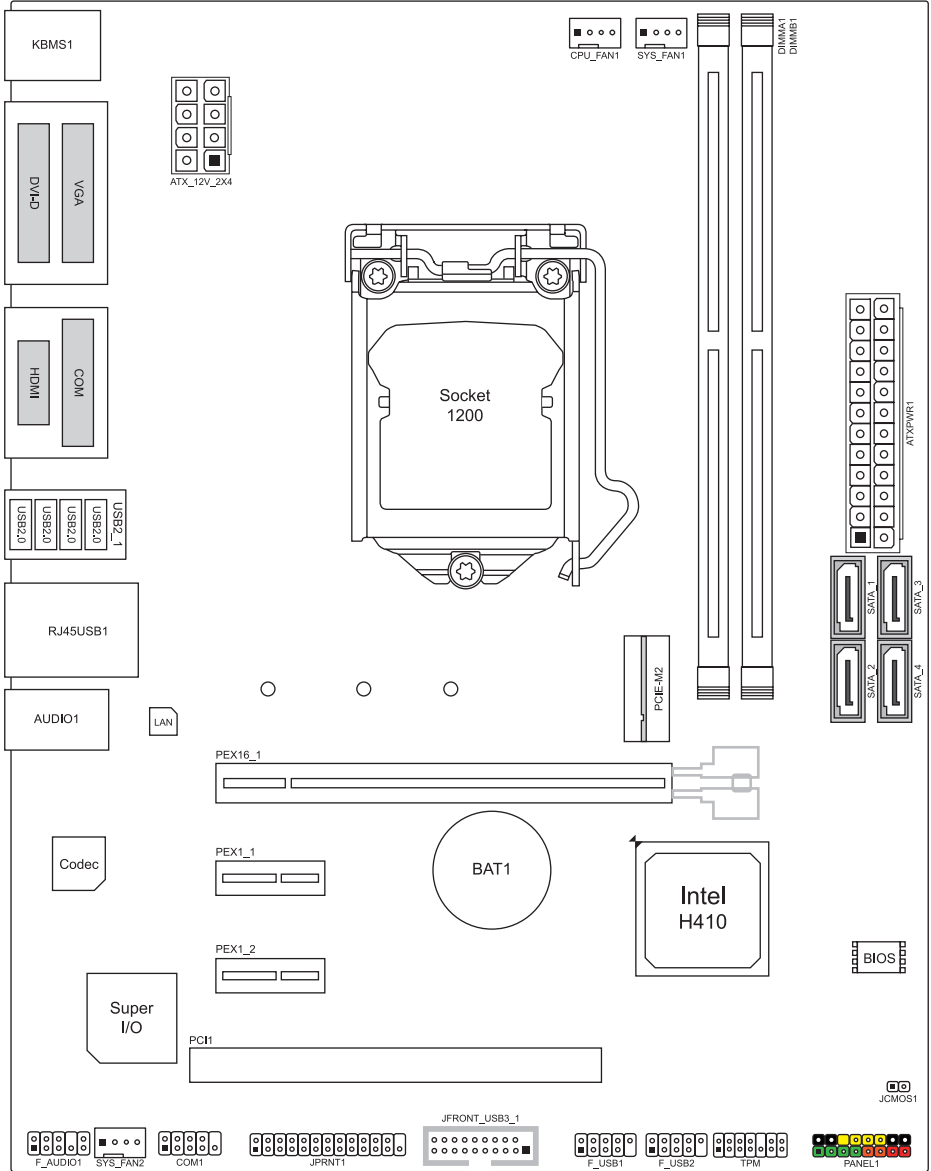
## 1.4 後側面板介面



### 注意

- » 僅Intel集成顯卡處理器支援VGA/ DVI-D/ HDMI連接埠。
- » 最大解析度：  
VGA: 1920 x 1200 @60Hz  
DVI-D: 1920 x 1200 @60Hz  
HDMI: 4096 x 2160 @24Hz·符合HDMI 1.4規範
- » 當使用前置HD音效插孔並插入耳機/麥克風時，後置聲音將自動禁用。
- » 主板可同時支援2種顯示連接埠輸出。顯示輸出的配置可以在英特爾圖形驅動程式工具中進行選擇。
- » 配置8聲道音效輸出·您必須使用HD前置面板音效模組·才能通過O.S.多聲道音效功能音效工具。

## 1.5 主板結構圖



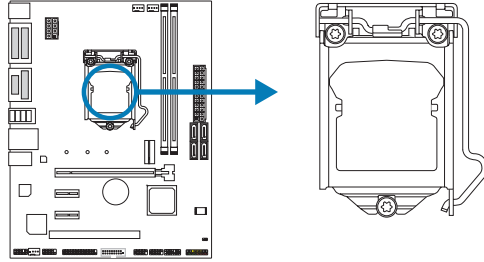
### 注意

» ■ 標示為針腳1

## 第二章: 硬體安裝

### 2.1 中央處理器(CPU)

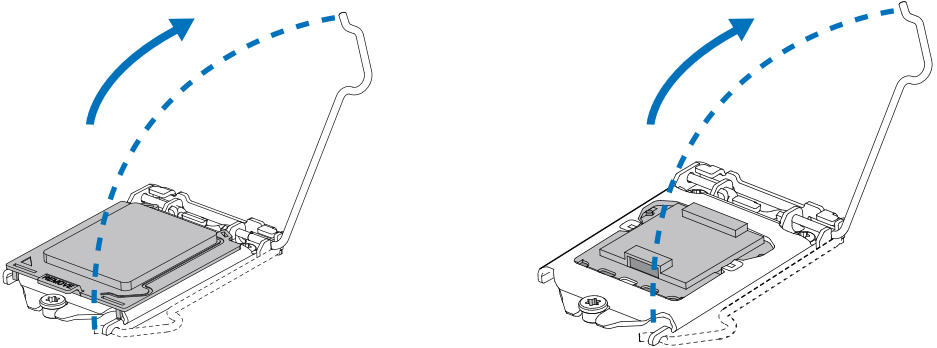
步驟1: 找到主板上的CPU插槽。



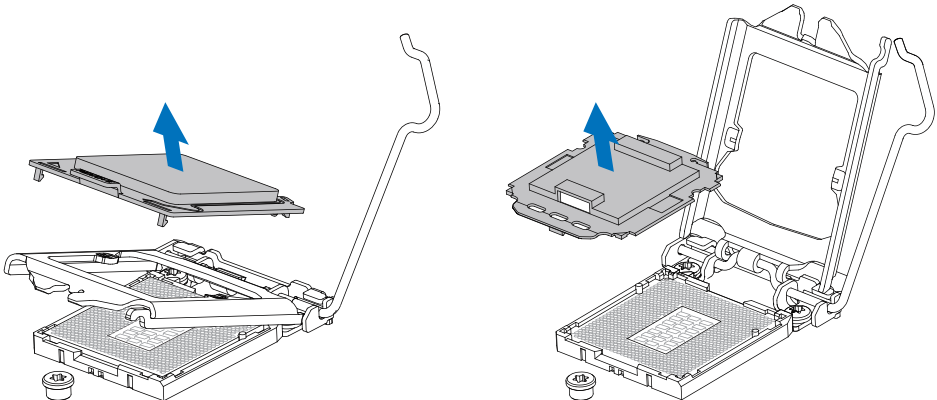
#### 注意

- » 安裝前請取掉針腳保護蓋，並妥善保管以備使用。移開CPU後，請蓋上保護蓋以確保針腳不會被損壞。
- » 主板可能配有兩種不同的針腳保護蓋，請參照以下指示取掉保護蓋。

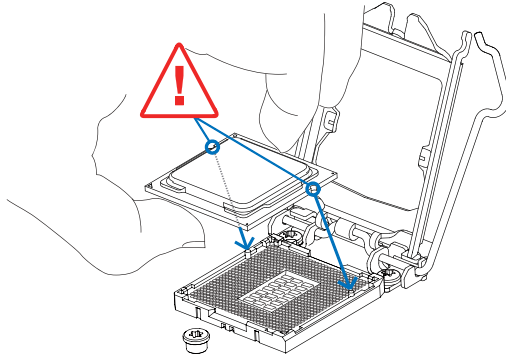
步驟2: 將拉桿從插槽移出並向上抬起。



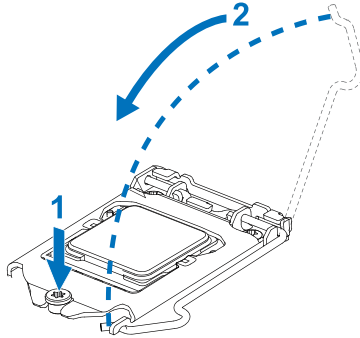
步驟3: 取掉針腳保護蓋。



步驟4: 按照箭頭的指示方向，將CPU上的切口對準插槽上相對應的位置，然後將CPU放入插槽處。



步驟5: 固定CPU，將拉桿閉合。

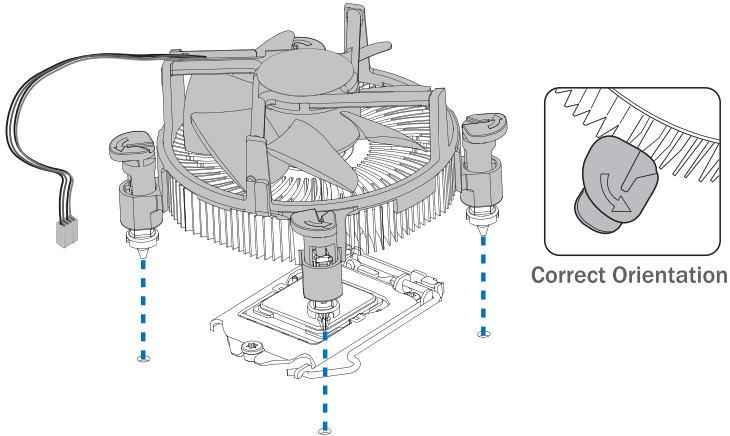


**注意**

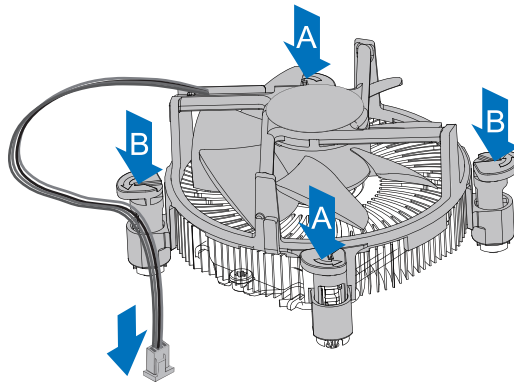
- » 請確保安裝為LGA1200插座設計的CPU。
- » CPU必須按正確的方向放入，請勿強行將CPU放進插槽以免造成CPU損壞。

## 2.2 散熱片

步驟1: 請將CPU風扇零件置於CPU頂部，確保四個固定件對齊主板上的插孔，調整其方位，使風扇電線與CPU風扇接孔間距最近。確保固定件與插槽垂直指向散熱片。



步驟2: 依序把對角2個固定件同時向下按壓，以固定風扇，完成CPU安裝。



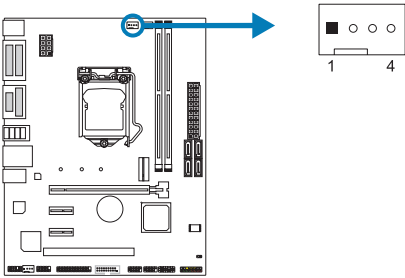
### 注意

- » 如有必要，在安裝散熱風扇前請先塗抹散熱膏於CPU表面。
- » 請務必連接CPU風扇接孔。
- » 請參照CPU散熱片的使用安裝手冊獲得正確的安裝訊息。

## 2.3 風扇接頭

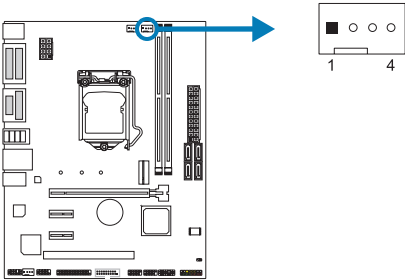
此風扇接頭支援電腦上設置的冷卻風扇，風扇電纜和連接器可能因風扇製造商而有差異。

### CPU\_FAN1: CPU風扇接頭



針	定義
1	接地
2	+12V
3	FAN RPM rate sense
4	Fan Control

### SYS\_FAN1: 系統風扇接頭



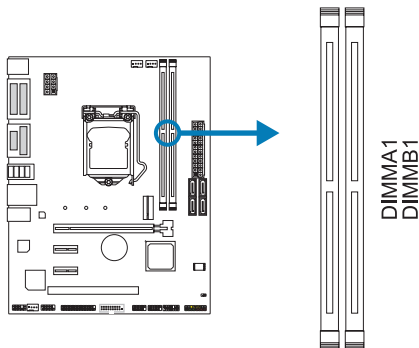
針	定義
1	接地
2	+12V
3	FAN RPM rate sense
4	Fan Control

#### 注意

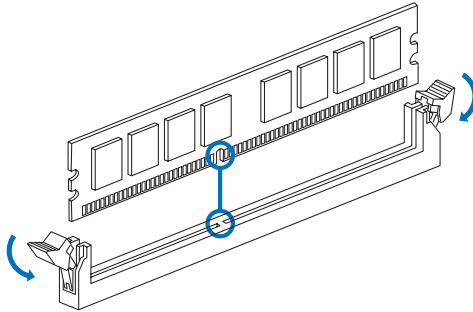
- » CPU\_FAN1·SYS\_FAN1支援4個針腳和3針腳接頭；接線時請注意紅線是正級需接到第二個針腳，黑線接地需接到接地針腳。

## 2.4 系統記憶體

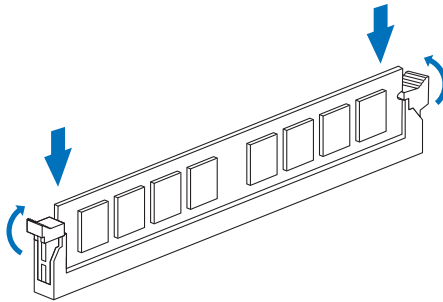
### DDR4記憶體模組



步驟1: 向外按壓固定夾以解鎖DIMM插槽。對準插槽上的DIMM，以使DIMM上的槽口與插槽上的缺口符合。



步驟2: 垂直將DIMM牢固地插入插槽，直到固定夾扣跳回原位，並且DIMM正確就位。



#### 注意

» 如果DIMM未順利插入，請勿強行插入按壓安裝。請將其完全拉出後重試。

## 記憶體容量

DIMM插槽位置	模組	總記憶
DIMMA1	4GB/8GB/16GB/32GB	最大為 64GB.
DIMMB1	4GB/8GB/16GB/32GB	

## 雙通道記憶安裝

為啟動主板雙通道功能，使用記憶體模組必須符合以下要求：成對安裝相同密度的記憶體模組。如下表所示

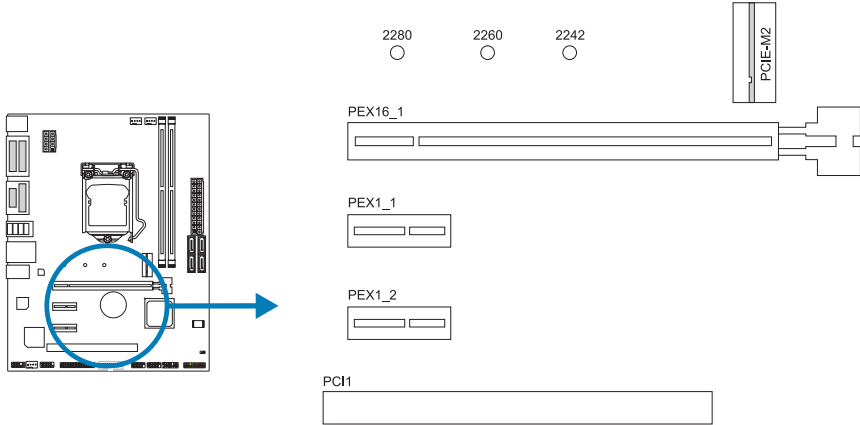
雙通道狀態	DIMMA1	DIMMB1
Disabled	○	X
Disabled	X	○
Enabled	○	○

(“○”表示記憶體已安裝，“X”表示記憶體未安裝。)

#### 注意

» 當安裝多個記憶模組時，我們建議使用相同品牌和容量的記憶體於主板上。

## 2.5 擴充插槽



### PCI1: 外圍設備互連插槽

- PCI插槽支持用於PC的擴展卡包括：网卡·声卡·调制解调器·电视调谐器扩展卡和其他符合PCI标准的扩展卡。

### PEX16\_1: PCI-Express Gen3 x16 插槽

- 符合PCI-Express 3.0規範。
- 同時使用兩個插槽最大頻寬為每個插槽16GB/s·總頻寬為32GB/s。

### PEX1\_1/ PEX1\_2: PCI-Express Gen2 x1 插槽

- 符合PCI-Express 2.0規範。
- 每個資料傳輸頻寬高達500MB/s；總頻寬為1GB/s。

### PCI-E-M2: M.2 (M Key) 插槽

- M.2插槽支援2242/2260/2280類型SSD模組，安裝M.2模組前請將六角柱放到正確的位置。
- 支援M.2 SATA III (6.0 Gb/s)模組與M.2 PCI Express Gen2 x2模組 (10Gb/s) - NVMe / AHCI SSD。

#### 注意

- » 當安裝SATA SSD模組於PCI-E-M2插槽·SATA\_1接頭將會被禁用。

### 安裝擴充卡

請參照以下步驟安裝擴充卡：

- 安裝擴充卡前請閱讀擴充卡的相關指示說明。
- 打開電腦機箱後蓋，移除螺絲和插槽支架。
- 將擴充卡按照正確的方向插入插槽，直到擴充卡完全固定住。
- 用螺絲將擴充卡的金屬支架固定到機箱後置面板。(僅安裝顯示卡時適用此步驟)
- 將電腦機箱後蓋閉合。
- 開機。如有必要，可為擴充卡更改BIOS設定。
- 安裝擴充卡的驅動。

#### 注意

- » 請注意，如果要安裝或卸下螺絲，則需要使用M2型螺絲起子。建議不要使用不符合規格的螺絲起子，否則可能會造成螺絲損壞。



## 2.6 跳線設定

下圖顯示為如何安裝跳線。當跳帽放置在針腳上時，跳線為關閉(close)狀態。若跳帽未放置在針腳上時，則跳線為打開(open)狀態。下圖顯示如何設置跳線。

針腳 打開



針腳 關閉

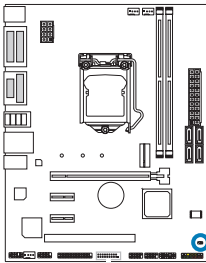


針腳1-2 關閉



### JCMOS1: 清空CMOS 跳線

用戶可清空CMOS數據並恢復BIOS安全設定，請依照以下步驟操作以免造成主板損壞。



針腳 1-2 打開：一般操作(預設)



針腳 1-2 關閉：清空CMOS數據

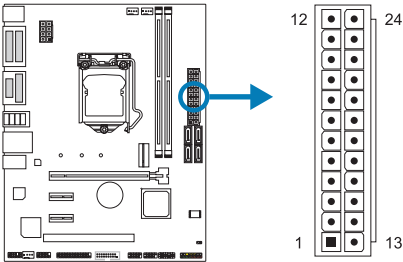
#### 清空CMOS數據過程:

1. 關閉AC電源。
2. 將跳線設置成1-2接腳關閉，建議可以使用一個金屬物體如螺絲起子同時觸碰1-2針腳。
3. 等待5秒鐘。
4. 清空CMOS數據後，請確認跳線設定為1-2針腳打開。
5. 打開AC電源。
6. 開機後按下 <Del> 鍵進入BIOS設定。

## 2.7 接頭和插槽

### ATXPWR1: ATX電源插槽

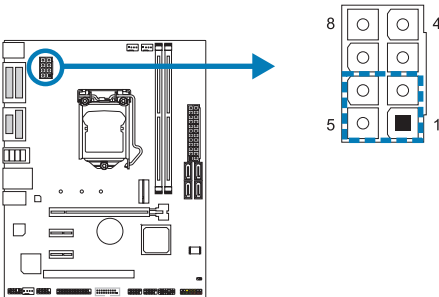
为了更好的相容性，我們建議使用標準的ATX24-pin電源供應此插槽的電源。



針	定義	針	定義
13	+3.3V	1	+3.3V
14	-12V	2	+3.3V
15	接地	3	接地
16	PS_ON	4	+5V
17	接地	5	接地
18	接地	6	+5V
19	接地	7	接地
20	NC	8	PW_OK
21	+5V	9	喚醒電壓+5V
22	+5V	10	+12V
23	+5V	11	+12V
24	接地	12	+3.3V

### ATXPWR2: ATX電源插槽

此插槽為CPU電路提供+12V電壓。若CPU電源插頭為4針腳，請將其插入ATXPWR2的1-2-5-6針腳。



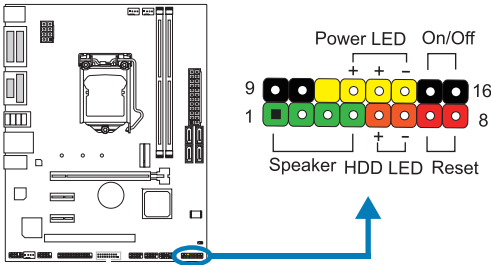
針	定義
1	+12V
2	+12V
3	+12V
4	+12V
5	接地
6	接地
7	接地
8	接地

#### 注意

- » 開機前，請確保ATXPWR1和ATXPWR2插槽都已插上電源。
- » 電壓不足可能會導致系統不穩或外接設備無法正常運轉。當配置具有大功耗設備的系統時，建議您使用具有更高功率輸出的電源供應器。

## PANEL1: 前置面板接頭

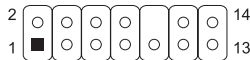
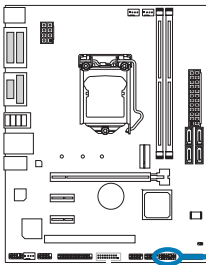
此16針腳接頭包含開機、重新啓動、硬碟指示燈和電源指示燈和喇叭接頭。



針	定義	功能	針	定義	功能
1	+5V	揚聲器 接頭	9	N/A	電源指 示燈
2	N/A		10	N/A	
3	N/A		11	N/A	
4	揚聲器		12	Power LED (+)	電源指 示燈
5	HDD LED (+)	13	Power LED (+)		
6	HDD LED (-)	硬碟指 示燈	14	Power LED (-)	
7	接地	重啓按 鈕	15	電源按鈕	開機按 鈕
8	Reset control		16	接地	

## TPM: TPM安全模組接頭

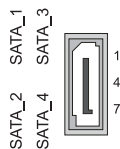
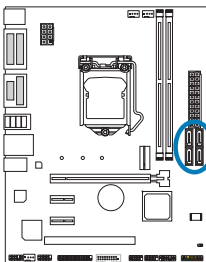
此接頭可連接可信安全平台模組系統，可用來儲存金鑰、認證與資料，並增加網路安全性。



針	定義	針	定義
1	F_LAD0	2	+3V
3	F_LAD1	4	+3V
5	F_LAD2	6	TPM_24MHZ
7	F_LAD3	8	接地
9	L_FRAME_N	10	NC
11	SER_IRQ	12	PLTRST_N
13	CLK_RUN_N	14	+3V3_DUAL

## SATA\_1/ SATA\_2/ SATA\_3/ SATA\_4: Serial ATA接頭

此接頭通過SATA數據線連接SATA硬碟。



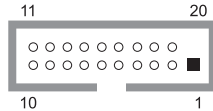
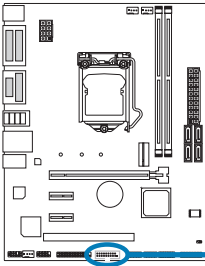
針	定義
1	接地
2	TX+
3	TX-
4	接地
5	RX-
6	RX+
7	接地

### 注意

» 當安裝SATA SSD模組於PCIE-M2插槽，SATA\_1接頭將會被禁用。

## JFRONT\_USB3\_1: 前置面板USB 3.2(Gen1)接頭

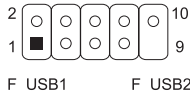
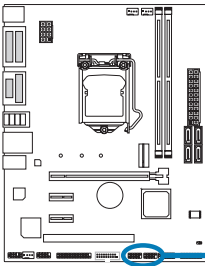
此接頭連接器允許用戶在PC前置面板上添加USB接頭，並且可與各種外部外接設備取得連接。



針	定義	針	定義
1	VBUS0	11	D2+
2	SSRX1-	12	D2-
3	SSRX1+	13	接地
4	接地	14	SSTX2+
5	SSTX1-	15	SSTX2-
6	SSTX1+	16	接地
7	接地	17	SSRX2+
8	D1-	18	SSRX2-
9	D1+	19	VBUS1
10	ID	20	Key

## F\_USB1/ F\_USB2: 前置面板USB 2.0接頭

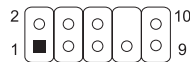
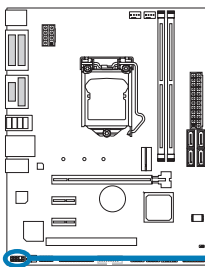
此接頭連接器允許用戶在PC前置面板上添加USB接頭，並且可與各種外部外接設備取得連接。



針	定義
1	+5V (fused)
2	+5V (fused)
3	USB-
4	USB-
5	USB+
6	USB+
7	接地
8	接地
9	Key
10	NC

## F\_AUDIO1: 前置面板音效接頭

此接頭可連接音效輸出數據線，支援HD(高解析)音效和AC' 97。



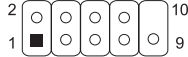
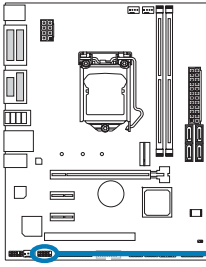
HD Audio		AC' 97	
針	定義	針	定義
1	Mic Left in	1	Mic In
2	接地	2	接地
3	Mic Right in	3	Mic Power
4	GPIO	4	Audio Power
5	Right line in	5	RT Line Out
6	Jack Sense	6	RT Line Out
7	Front Sense	7	Reserved
8	Key	8	Key
9	Left line in	9	LFT Line Out
10	Jack Sense	10	LFT Line Out

### 注意

- » 當使用前置HD音效插孔並插入耳機/麥克風時，後置聲音將自動禁用。
- » 建議您連接前置高解析音效插孔，即可使用主板高解析音效功能。
- » 如果要連接使用AC' 97前置音效輸出數據線，請關閉“前置面板插孔檢測功能”。此功能在系統音效工具中可見。

## COM1: 序列埠接頭

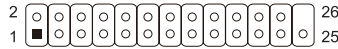
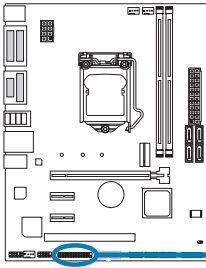
此主板提供序列埠接頭可接RS-232接頭。



針	定義
1	載波檢測
2	接收資料
3	發送數據
4	資料終端備妥
5	接地訊號
6	資料集備妥
7	輸送要求
8	清除發送
9	震鈴指示器
10	Key

## J\_PRINT1: 印表機接頭

此接頭可連接印表機接頭。



HD Audio		AC' 97	
針	定義	針	定義
1	-Strobe	14	接地
2	-ALF	15	Data 6
3	Data 0	16	接地
4	-Error	17	Data 7
5	Data 1	18	接地
6	-Lnit	19	-ACK
7	Data 2	20	接地
8	-Scltin	21	Busy
9	Data 3	22	接地
10	接地	23	PE
11	Data 4	24	接地
12	接地	25	SCLT
13	Data 5	26	Key

## 第三章: UEFI BIOS和軟體

### 3.1 UEFI BIOS設定

- BIOS設定程式可用於查看與更改電腦的BIOS設定。開機進行自動檢測時，按<DEL>鍵可進入BIOS設定程式。
- 更多相關UEFI BIOS設置訊息，請參考網站上的UEFI BIOS手冊。

### 3.2 更新BIOS

以下任意一種工具都可以更新BIOS:

- BIOSTAR BIO-Flasher: 使用此工具，BIOS可透過硬碟上的檔案更新、USB驅動更新或者CD-ROM更新。
- BIOSTAR BIOS更新工具: 能夠在Windows環境下自動更新。使用此工具，BIOS可透過硬碟上的檔案更新、USB驅動更新、CD-ROM更新或者從網站上的檔案執行下載更新。

#### BIOSTAR BIO-Flasher

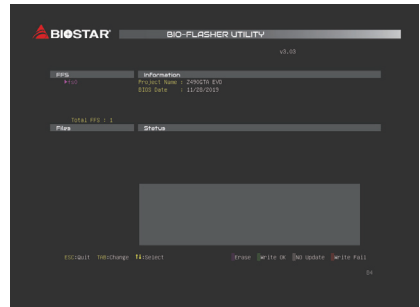
##### 注意

- » 此工具僅允許可使用FAT32/16格式化或單個分區的存儲設備。
- » 更新BIOS時若關機或重啓系統將導致系統啓動失敗。

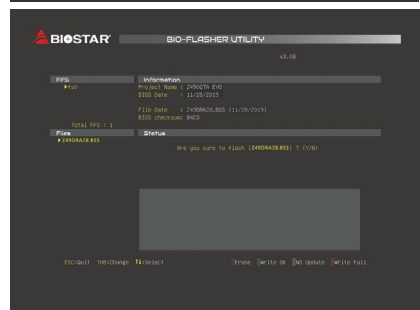
使用BIOSTAR BIO-Flasher更新BIOS

1. 進入網站下載與主板相符的最新BIOS檔案。
2. 然後儲存BIOS檔案到USB隨身碟。(僅支援FAT/FAT32格式)
3. 插入包含BIOS檔案的USB隨身碟到USB連接埠。
4. 開機或重啓後，在自動檢測過程中按<F12>鍵。

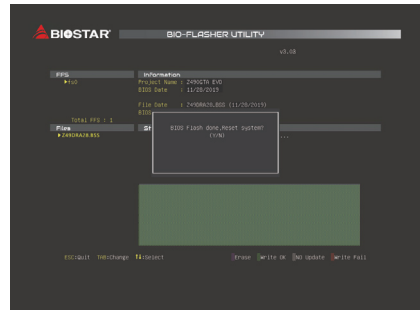
5. 進入開機自我檢測(POST)螢幕畫面後，BIO-FLASHER程式跳出。選擇<fs0>搜尋BIOS檔案。



6. 選擇合適的BIOS檔案，並按“ Yes”執行BIOS更新程式。



7. BIOS更新完成後則會彈出一個對話框，要求您重新啟動系統。按<Y>鍵重新啟動系統。



8. 當系統啟動並顯示全螢幕標誌時，按<DEL>鍵進入BIOS設定。進入BIOS設定程式後，請選擇<Save & Exit>，使用<Restore Defaults>功能下載系統優化預設值，然後選擇<Save Changes and Reset>以重新啟動電腦。完成BIOS更新。

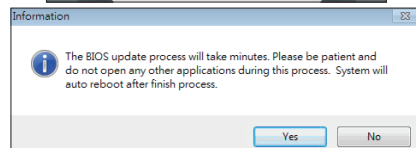
### BIOS更新工具（通過網路）

1. 用DVD驅動安裝BIOS Update Utility。
2. 使用此功能時，請確保電腦已連接到網路。

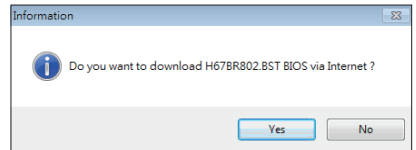
3. 啟動BIOS更新工具，然後點擊“Online Update”按鈕。



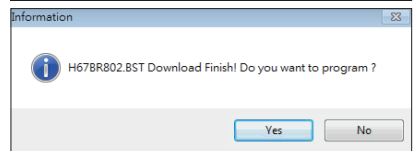
4. 螢幕跳出是否執行更新BIOS程式的對話框，點擊“ Yes” 開始更新BIOS。



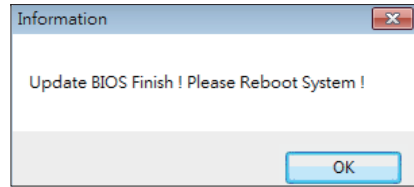
5. 如果BIOS有新版本，螢幕會跳出提示您下載最新版本的對話框。點擊“ Yes” 下載。



6. 完成下載後，螢幕跳出提示您更新BIOS的對話框，點擊“ Yes” 開始更新。



7. 更新程式結束後，螢幕跳出提示您重新開機引導系統的對話框。點擊“OK”重啟。



8. 當系統啟動並顯示全螢幕標誌時，按<DEL>鍵進入BIOS設定。進入BIOS設定程式後，請選擇<Save & Exit>，使用<Restore Defaults>功能下載系統優化預設值，然後選擇<Save Changes and Reset>以重新啟動電腦。完成BIOS更新。

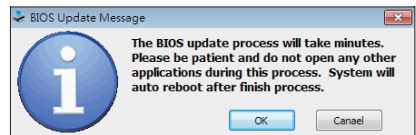
### BIOS更新工具 ( 通過BIOS文件 )

1. 用DVD驅動安裝BIOS更新工具。
2. 從我們的網站[www.biostar.com.tw](http://www.biostar.com.tw) 下載合適的BIOS。

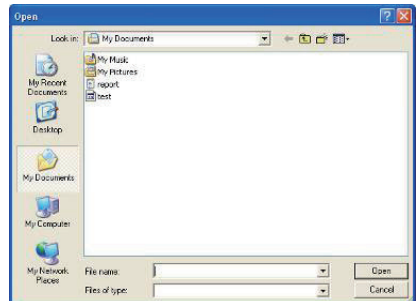
3. 在主頁面打開BIOS Update Utility，然後點擊“Update BIOS”按鈕。



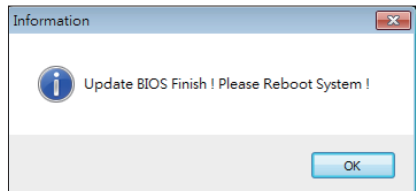
4. 螢幕跳出是否執行更新BIOS程式的對話請求，點擊“OK”開始更新BIOS。



5. 選擇BIOS檔案的存放目錄。然後選擇合適的BIOS檔案，點擊“Open”。更新BIOS要花幾分鐘時間，請耐心等待。



6. BIOS更新過程結束後，點擊“OK”重新啟動。

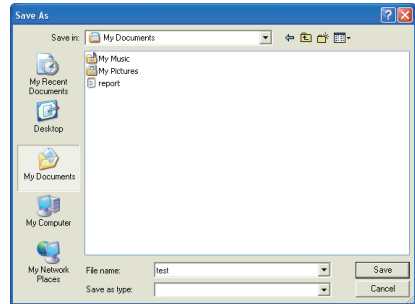




7. 當系統啟動並顯示全螢幕標誌時，按<DEL>鍵進入BIOS設定。  
進入BIOS設定程式後，請選擇<Save & Exit>，使用<Restore Defaults>功能下載系統優化預設值，然後選擇<Save Changes and Reset>以重新啟動電腦。完成BIOS更新。

### BIOS備份

點擊BIOS備份按鈕，選擇備份檔案內的合適目錄命名，然後點擊“Save”。



### 3.3 軟體

#### 安裝軟體

1. 將光碟放入光碟機，若Autorun功能已啟動，則會顯示驅動安裝程式。
2. 選擇Software Installation，然後點擊各軟體圖示。
3. 根據螢幕上的指令完成安裝。

#### 啓動軟體

安裝程式完成後，桌面上將出現軟體圖示。請雙擊圖示啓動軟體工具。

#### 注意

- » 所有軟體的相關訊息和內容若有變更，恕不另行通知。為使系統性能更佳，軟體會不斷升級。
- » 下面的圖片和訊息僅供參考，此主板的實際訊息和設定可能與手冊略有差異。

#### BIOScreen 工具

此實用工具可以將開機畫面個性化。您可以選擇BMP格式來自定義電腦開機畫面。



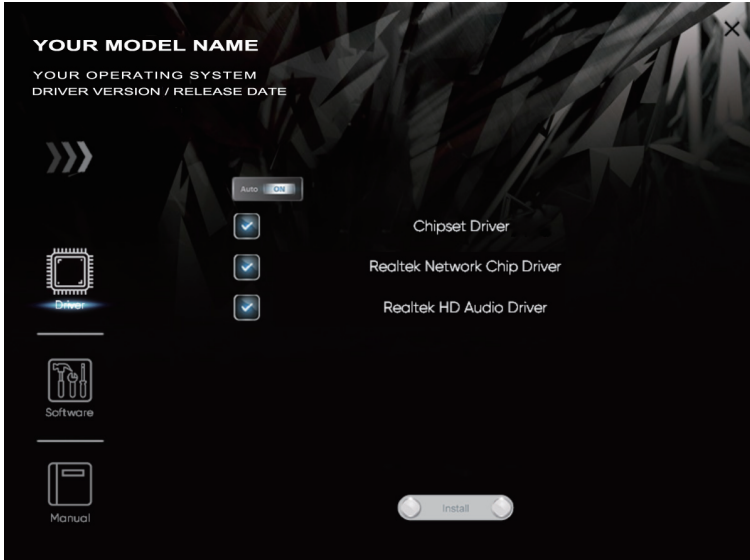
請參照以下步驟來更新開機畫面：

- 載入圖片(Load Image)：選擇圖片作為開機畫面。
- 轉換(Transform)：轉換圖片並預覽。
- 更新BIOS(Update Bios)：將圖片寫入BIOS記憶體，然後完成更新。

## 第四章:幫助訊息

### 4.1 驅動程式安裝注意事項

為獲得更好的系統性能，在操作系統安裝完成後，請插入您的系統驅動光碟並安裝。插入DVD後，將出現如下所示畫面。



此設定將自動檢測您的主板和操作系統。

#### A. 驅動程式安裝

安裝驅動程式，請點擊Driver圖示。設定指南將自動檢測您的主板和操作系統。點擊各設備驅動程式，以開始安裝程序。

#### B. 軟體安裝

安裝軟體，請點擊Software圖示。設定指南將列出系統可用軟體，點擊各軟體名稱，以開始安裝程序。

#### C. 使用手冊

除了書本形式的手冊，我們也提供光碟形式的使用指南。點擊Manual圖示，瀏覽可用相關使用指南。

#### 注意

- » 若在放入驅動程式DVD之後此窗口仍沒有出現，請由檔案瀏覽器尋找並執行驅動光碟下的SETUP.EXE檔案。
- » 如果需要Acrobat Reader打開manual檔案。請從網站<http://get.adobe.com/reader/>下載最新版本的Acrobat Reader軟體。
- » 插圖中使用的主板可能與實際的主板不同。這些插圖僅供參考。

## 4.2 AMI BIOS 提示音代碼

### 啓動區塊模組提示音代碼

提示音次數	含義
持續提示音	記憶體錯誤或未找到記憶體模塊

### BIOS 開機自檢提示音代碼

提示音次數	含義
1	系統引導成功
8	顯示記憶體錯誤(視訊介面卡)

## 4.3 AMI BIOS 開機自檢代碼

代碼	含義
10	PEI核心啓動
11	CPU Pre-memory初始化啓動
15	北橋Pre-memory初始化啓動
19	南橋Pre-memory初始化啓動
2B	記憶體初始化 · 讀取SPD數據
2C	記憶體初始化 · 檢測Memory presence
2D	記憶體初始化 · 程式化記憶體資訊
2E	記憶體初始化 · 配置記憶體
2F	記憶體初始化 ( 其他 )
31	記憶體安裝完成
32	CPU post-memory初始化
33	CPU post-memory初始化 · Cache初始化
34	CPU post-memory初始化 · AP處理器初始化
35	CPU post-memory初始化 · BSP選擇
36	CPU post-memory初始化 · SMM初始化
37	北橋Post-Memory初始化啓動
3B	北橋Post-Memory初始化
4F	DXE IPL啓動
60	DXE核心啓動
F0	韌體復原BIOS(自動恢復)
F1	使用者復原BIOS(強制恢復)
F2	復原程式啓動
F3	找到韌體映像
F4	載入韌體映像
E0	S3喚醒啓動
E1	執行S3啓動腳本
E2	重新發送影像
E3	系統S3待機導向
60	DXE核心啓動
61	NVRAM初始化
62	安裝南橋運轉服務
63	CPU DXE初始化
68	PCI HB初始化
69	北橋DXE初始化
6A	北橋DXE SMM初始化

代碼	含義
70	南橋DXE初始化
71	南橋DXE SMM初始化
72	南橋設備初始化
78	南橋DXE初始化
79	ACPI模組初始化
90	引導程式設備選擇BDS啟動
91	驅動連接啟動
92	PCI匯流排初始化
93	PCI匯流排熱拔插控制器初始化
94	PCI匯流排列舉
95	PCI匯流排請求資源
96	PCI匯流排分配資源
97	控制台輸出設備連接
98	控制台輸入設備連接
99	高級IO初始化
9A	USB初始化啟動
9B	USB重置
9C	USB檢測
9D	USB啟用
A0	IDE初始化
A1	IDE重置
A2	IDE檢測
A3	IDE啟用
A4	SCSI初始化
A5	SCSI重置
A6	SCSI檢測
A7	SCSI啟用
A8	設置校對密碼
A9	設置開始
AB	設置輸入等待
AD	準備啟動環境
AE	傳統啟動環境
AF	退出啟動環境
B0	虛擬位址圖開始
B1	虛擬位址圖結束
B2	傳統可選ROM初始化
B3	系統重置
B4	USB熱插拔
B5	PCI匯流排熱插拔
B6	清理NVRAM
B7	配置重設(NVRAM設定重設)

► 注意

» 此窗若出現表格未列出的代碼，請聯繫我們的技術支援。

## 4.4 問題解答

問題	解決方法
1. 系統沒有電，電源指示燈不亮，電源風扇不轉動。 2. 鍵盤上的指示燈不亮。	1. 確定電源線是否接好。 2. 更換線材。 3. 聯繫技術支援。
系統不起作用。鍵盤指示燈亮，電源指示燈亮，硬碟正常運作。	用力按壓記憶體兩端，確保記憶體安置於插槽中。
系統不能從硬碟啟動，但能從光碟啟動。	1. 檢查硬碟與主板的連線，確定各連線是否確實接好，檢查標準CMOS設定中的驅動類型。 2. 硬碟隨時都有可能壞掉，所以備份硬碟數據是很重要的。
系統只能從光碟啟動。硬碟能被讀，應用程式能被使用，但是不能從硬碟啟動。	1. 備份數據和應用程式。 2. 重新格式化硬碟。使用備份磁碟重新安裝應用程式和數據。
螢幕顯示“Invalid Configuration”或“CMOS Failure”。 再次檢查系統設備，確定設定是否正確安裝了第二個硬碟	再次檢查系統設備，確定設定是否正確。
安裝了第二個硬碟後，系統不能啟動。	1. 正確設定主/從硬碟跳線。 2. 運轉安裝程式，選擇正確的驅動類型。與驅動器廠商聯繫，尋求驅動相容性的技術支援。

### CPU過熱保護系統

在開啓系統數秒後如有自動關機的現象，這說明CPU保護功能已被啓用。CPU過熱時，防止損壞CPU，主機將自動關機，系統則無法重新啟動。

此種情況下，請仔細檢查。

1. CPU 散熱器平放在CPU表面。
2. CPU風扇能正常旋轉。
3. CPU風扇旋轉速度與CPU運行速度相符。

確認後，請按以下步驟緩解CPU保護功能。

1. 切斷電源數秒。
2. 等待幾秒鐘。
3. 插上電源開啓系統。

或是：

1. 清除CMOS數據。(查看“Close CMOS Header: JCMOS1”部分)
2. 等待幾秒鐘。
3. 重啓系統。

## 附录：产品中有毒有害物质或元素的名称及含量

部件名称	有毒有害物质或元素					
	铅 (Pb)	汞 (Hg)	镉 (Cd)	六价铬 (Cr(VI))	多溴联苯 (PBB)	多溴二苯醚 (PBDE)
PCB板	○	○	○	○	○	○
结构件	○	○	○	○	○	○
芯片及其它主动零件	X	○	○	○	○	○
连接器	X	○	○	○	○	○
被动电子元器件	X	○	○	○	○	○
焊接金属	○	○	○	○	○	○
线材	○	○	○	○	○	○
助焊剂·散热膏·标签及其它耗材	○	○	○	○	○	○

○：表示该有毒有害物质在该部件所有均质材料中的含量在SJ/T11363-2006标准规定的限量要求以下。

X：表示该有毒有害物质至少在该部件的某一均质材料中的含量超出SJ/T11363-2006标准规定的限量要求。

备注：在芯片及其它主动零件、连接器、被动电子元器件Pb栏位中有打X，表示Pb在该部件的某一均质材料中的含量超出SJ/T11363-2006标准规定的限量要求，但均符合欧盟ROHS指令豁免条款。