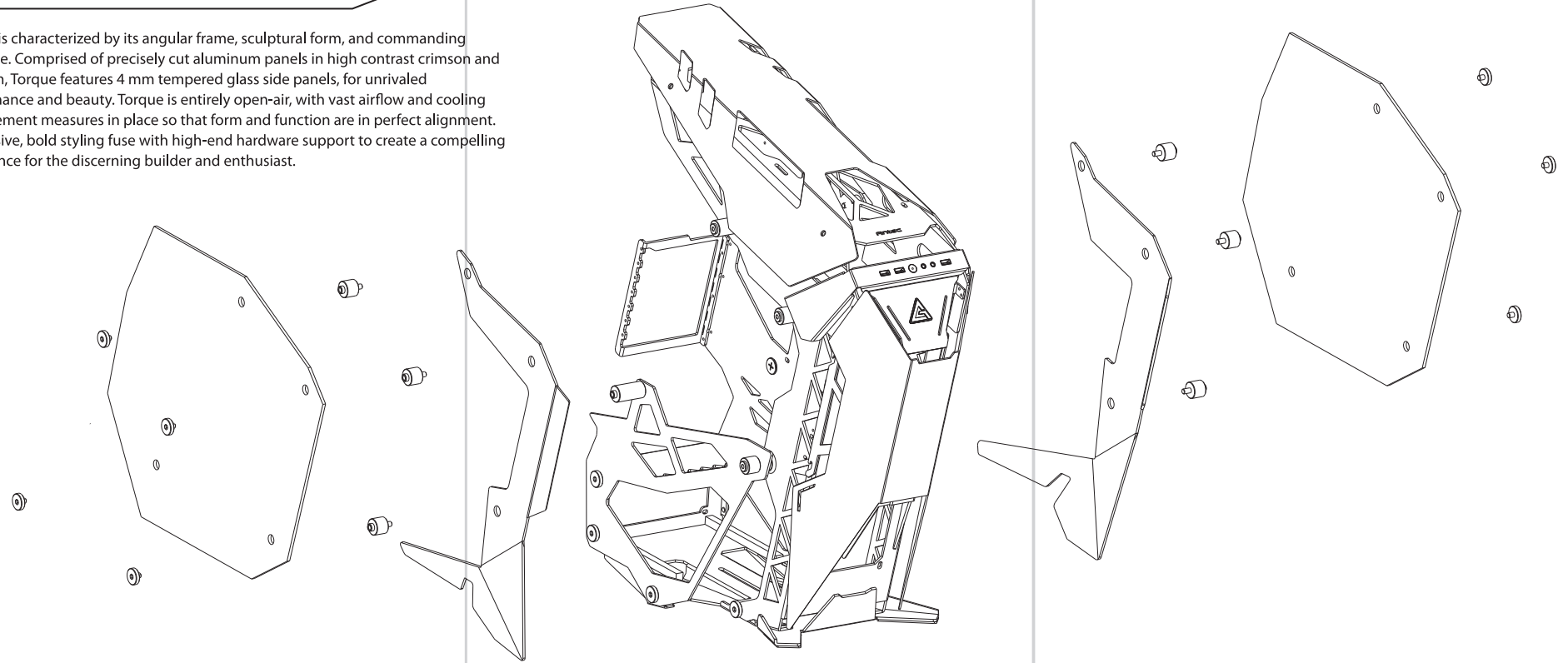


**A NEW ANGLE OF INNOVATION
HIGH OCTANE CONCEPT**

Torque is characterized by its angular frame, sculptural form, and commanding presence. Comprised of precisely cut aluminum panels in high contrast crimson and titanium, Torque features 4 mm tempered glass side panels, for unrivaled performance and beauty. Torque is entirely open-air, with vast airflow and cooling management measures in place so that form and function are in perfect alignment. Aggressive, bold styling fuse with high-end hardware support to create a compelling experience for the discerning builder and enthusiast.

TORQUE

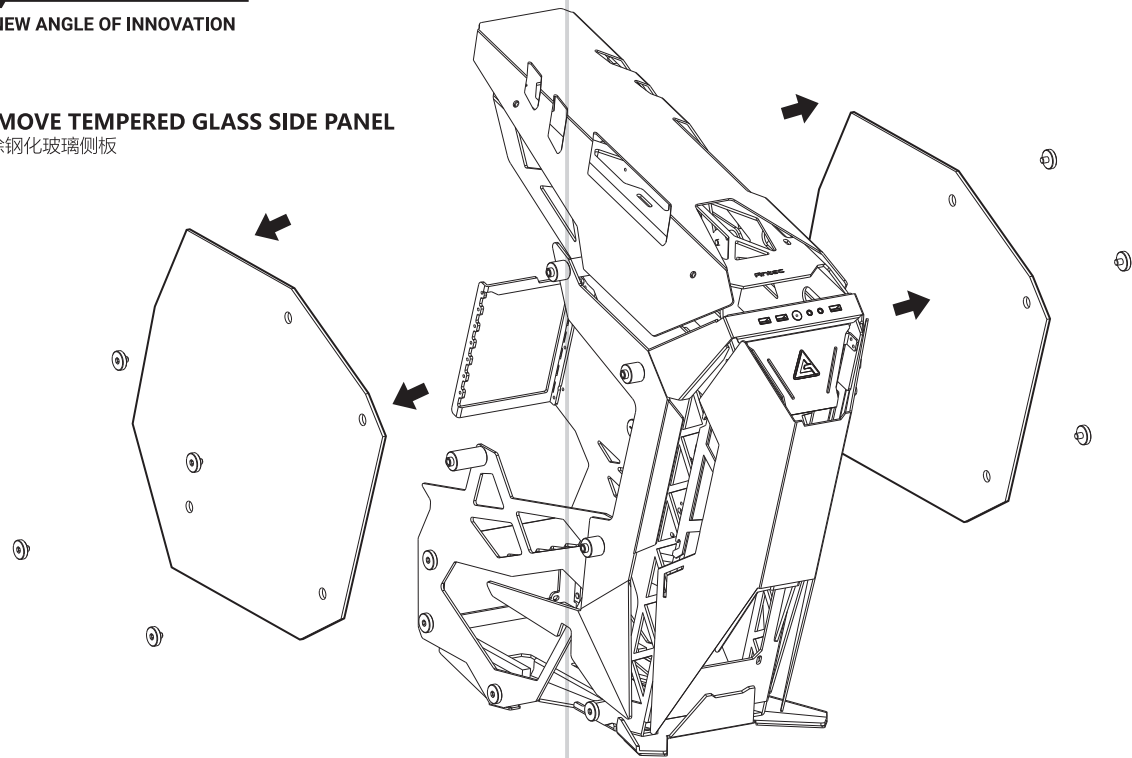
A NEW ANGLE OF INNOVATION



TORQUE

A NEW ANGLE OF INNOVATION

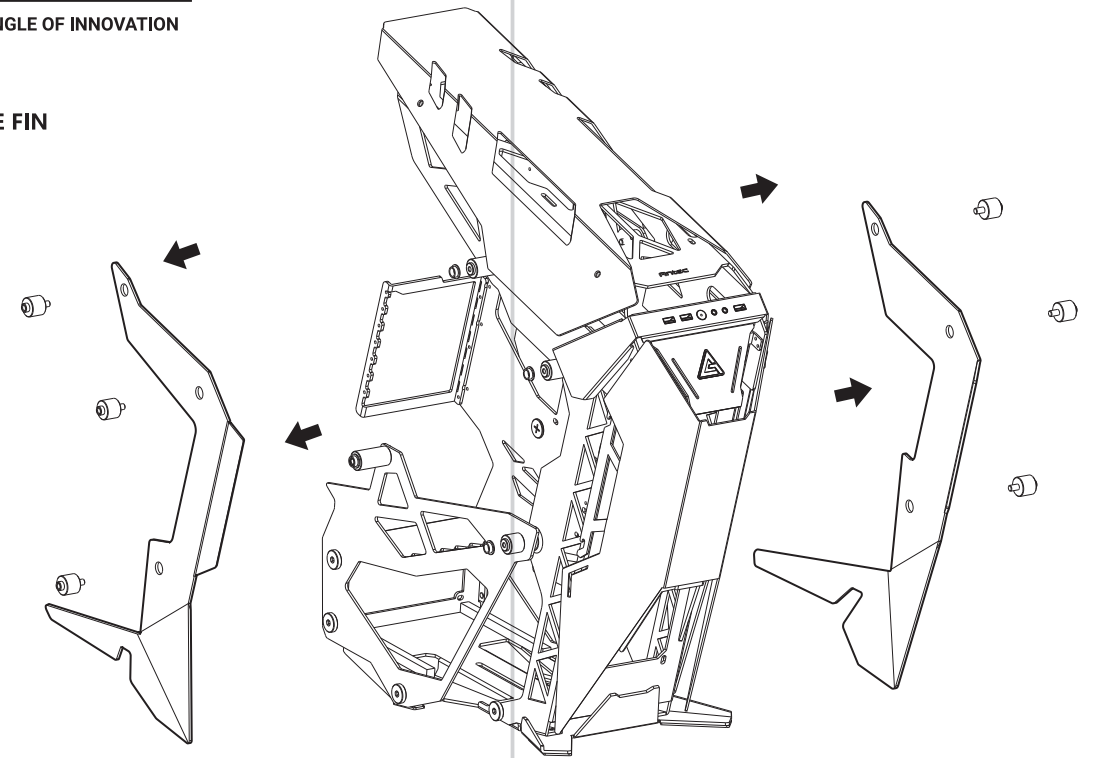
REMOVE TEMPERED GLASS SIDE PANEL
移除钢化玻璃侧板



TORQUE

A NEW ANGLE OF INNOVATION

REMOVE FIN
移除鳍片



TORQUE

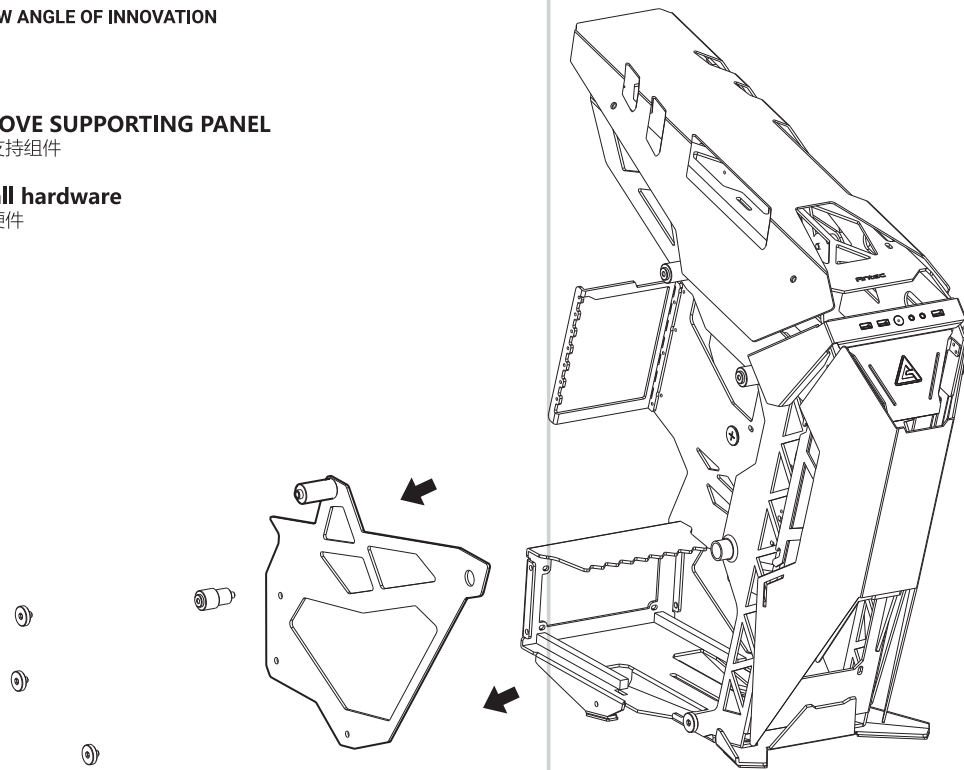
A NEW ANGLE OF INNOVATION

REMOVE SUPPORTING PANEL

移除支持组件

Install hardware

安装硬件



3

TORQUE

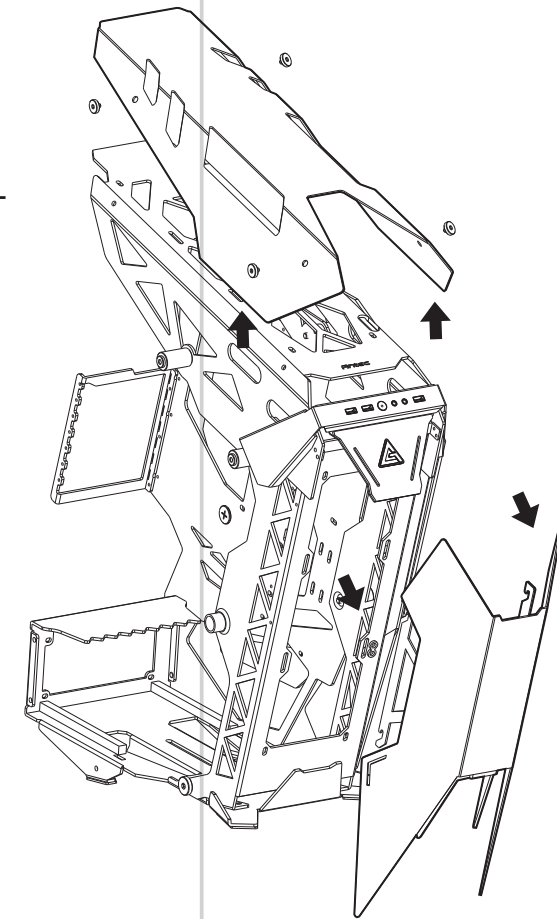
A NEW ANGLE OF INNOVATION

REMOVE TOP PANEL & FRONT PANEL

移除顶部/前部面板

Install cooling radiator

安装散热系统



4

TORQUE

A NEW ANGLE OF INNOVATION

HARD DISK INSTALLATION

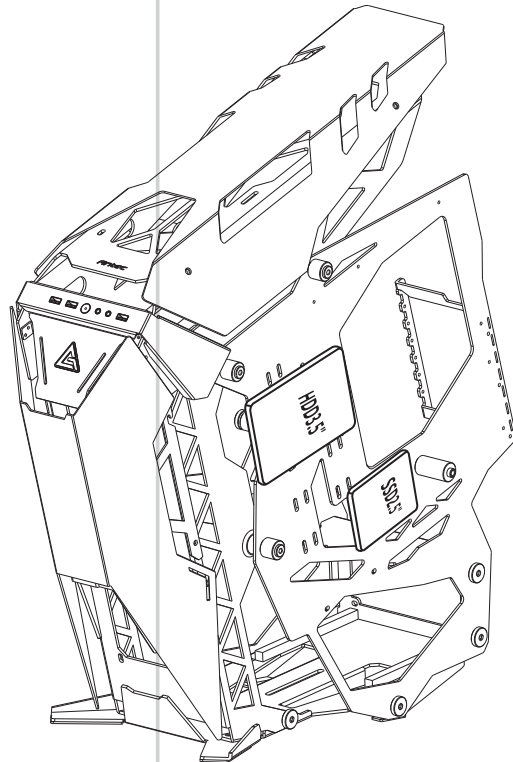
安装驱动器

Installing a 2.5" Solid State Drive

2.5寸硬盘安装

Installing a 3.5" Hard Disk Drive

3.5寸硬盘安装



5

General	
Form Factor	Mid Tower
Material(s)	Aluminum
Side Panel Type	Tempered Glass
Access & Controls	USB3.0 x 2, MIC/AUDIO(HD), Power, Type-C USB3.1
Dimensions	621 x 285 x 644 mm (DWH)
Compatibility & Clearances	
Mainboard Support	E-ATX, ATX, Micro-ATX, ITX
PSU Type	ATX12V (PS/2)
Max GPU Length	≤ 450mm
Max CPU Cooler Height	≤ 215mm
Max Radiator (Front)	≤ 360mm
Max Radiator (Top)	≤ 360mm
Expansion Slots & Drive Bays	
Expansion Slots	7
2.5" / 3.5" (convertible)	1
2.5"	1
Cooling	
Front	3 x 120mm
Top	3 x 120mm

機殼規格/机壳规格	
類型/类型	中塔式
材質/材质	鋁合金/铝合金
側板類型/侧板类型	鋼化玻璃/钢化玻璃
I/O 連接埠/I/O 连接埠	USB3.0 x 2, MIC/AUDIO(HD), Power, Type-C USB3.1
機殼尺寸/机壳尺寸	621 x 285 x 644 mm (DWH)

內部空間/内部空间	
相容主機板/相容主机板	E-ATX, ATX, Micro-ATX, ITX
PSU類型/PSU类型	ATX12V (PS/2)
顯卡支持/显卡支持	≤ 450mm
CPU散熱器高度/CPU散热器高度	≤ 215mm
最大水冷排支援(前部)/最大水冷排支援(前部)	≤ 360mm
最大水冷排支援(上部)/最大水冷排支援(上部)	≤ 360mm

擴充槽 & 硬碟槽/扩充槽 & 硬盘槽	
擴充槽/扩充槽	7
2.5" /3.5" (可相容)	1
2.5"	1

風扇支持/风扇支持	
前部	3 x 120mm
頂部/顶部	3 x 120mm

Antec

BELIEVE IT

www.Antec.com/support

Antec, Inc., 47681 Lakeview Blvd.Fremont, CA 94538, 美国
All rights reserved. Specifications are subject to change without prior notice.
Actual products and accessories may differ from illustrations. Omissions and printing errors excepted. Content of delivery might differ in different countries or areas. Some trademarks may be claimed as the property of others.

©1986 – 2018 Antec, Inc. All rights reserved.