



BUNKER

GAMING COMPUTER CASE

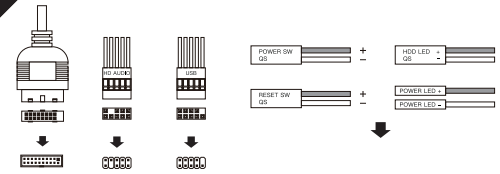
USER MANUAL

- A : With package details
- B : Schematic diagram of wire interface
- C : I/O panel introduction
- D : Machine overview
- E-F : Remove and install glass side panels
- G : The power supply installation
- H : Motherboard installation
- I: The graphics card installation
- J-K: Fan installation
- L : water cooling installation
- M:SSD installation
- N:HDD installation

A

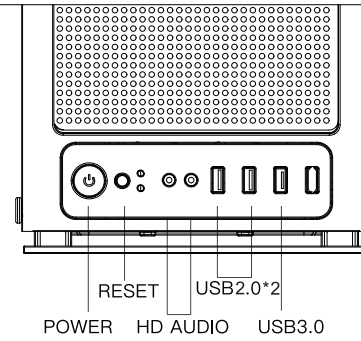
- Main board screw: 12 pcs
- The power screw: 6 pcs
- mainboard copper column: 2 pcs (Six locked)
- Fan screw: 4 pcs
- HDD screws: 6 pcs
- SSD screw: 8 pcs
- Hard disk shock pad: 14 pcs
- Lock pocket: 1 pcs

B

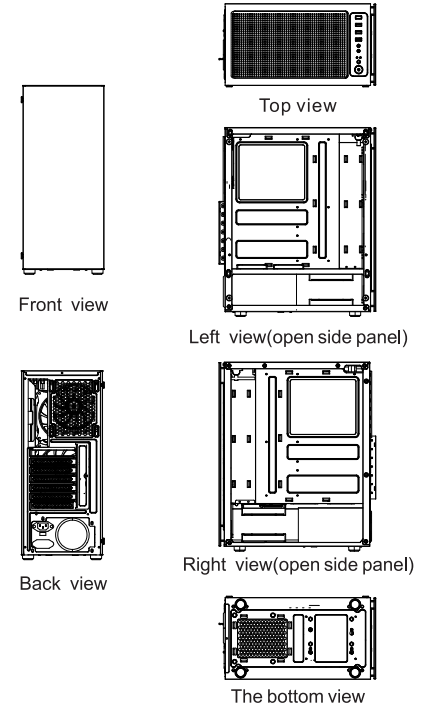


Motherboard model different connection method different specific please contact motherboard seller

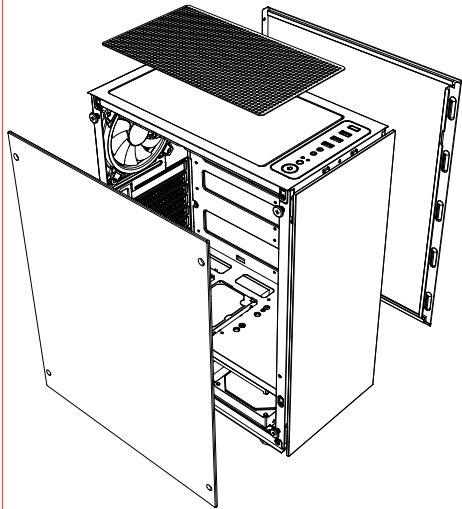
C



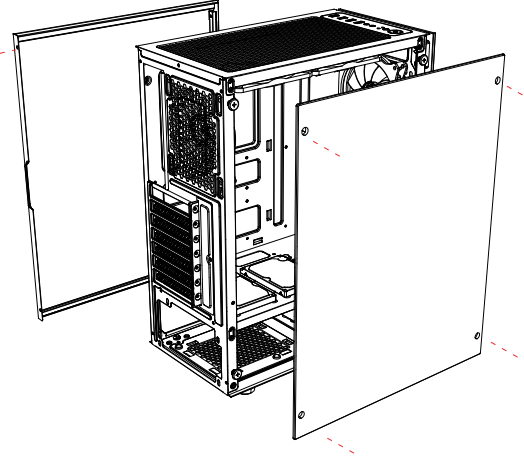
D



E

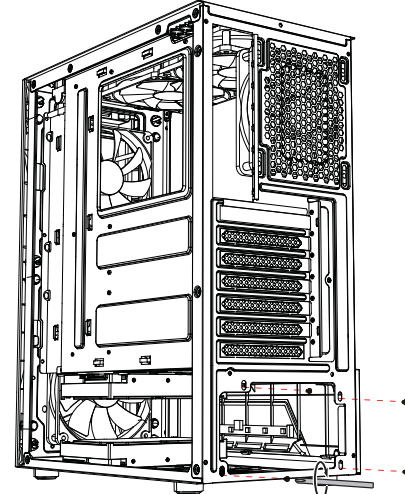


F



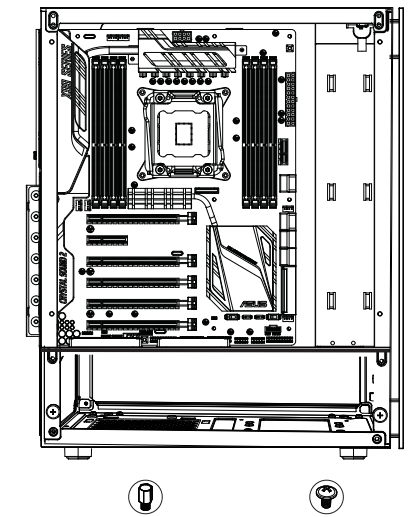
Glass side plate disassembly: remove the four red indication screws
 Remove the iron side plate: remove the two screws at the rear

G

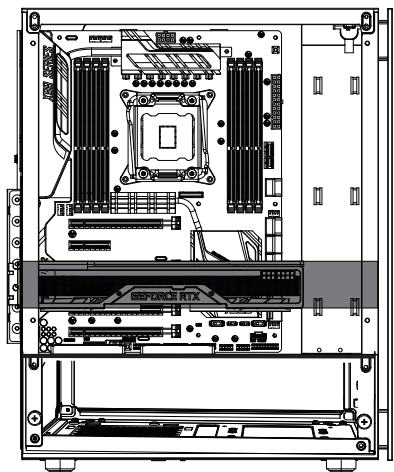


The power supply can be fixed by aligning the screw in the figure to the hole position
 Note: different types of power supply, hole location may be slightly different, take the actual object as the standard.

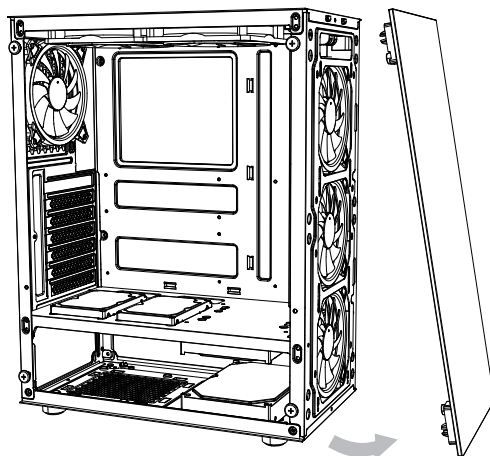
H



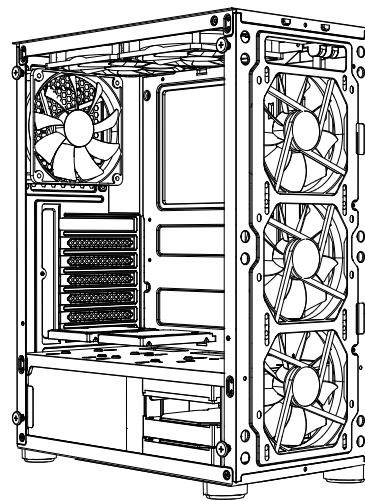
According to the motherboard model, Main board screws are used for fixing copper column should be replaced manually
 Support ATX/M-ATX/ITX



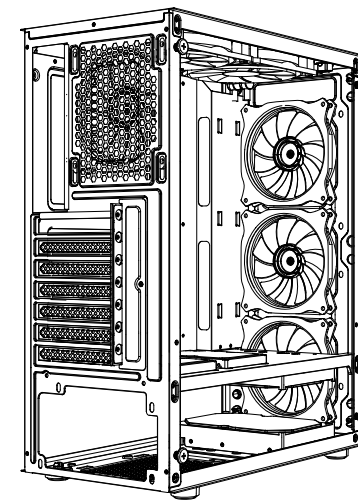
VGA limit long: 310MM



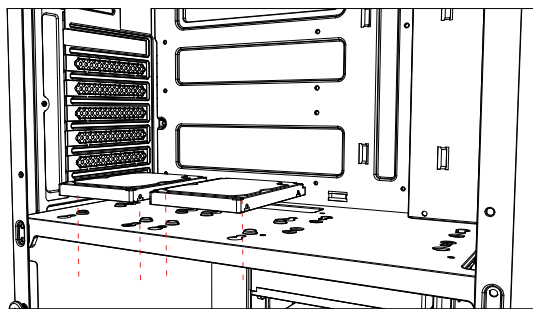
Remove the front panel of the case
and open it by hand in the lower direction



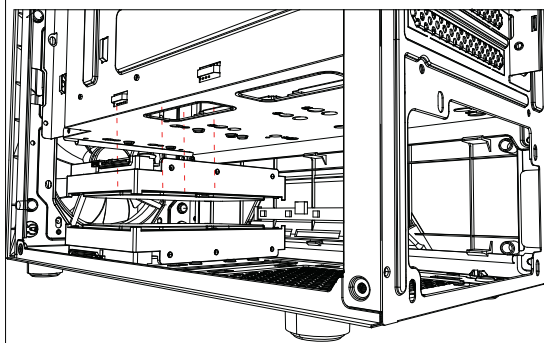
The front panel: 120mm*3
The top: 120mm*2
Rear window: 120mm*1



The front panel: 240mm Integrated water cooling



First fix the hole position with the hard disk cushioning pad,
then fix it with SSD screws from below the power compartment



First fix the hole position with the hard disk cushioning pad
and then fix the hole position with the HDD screw
from above the power compartment

