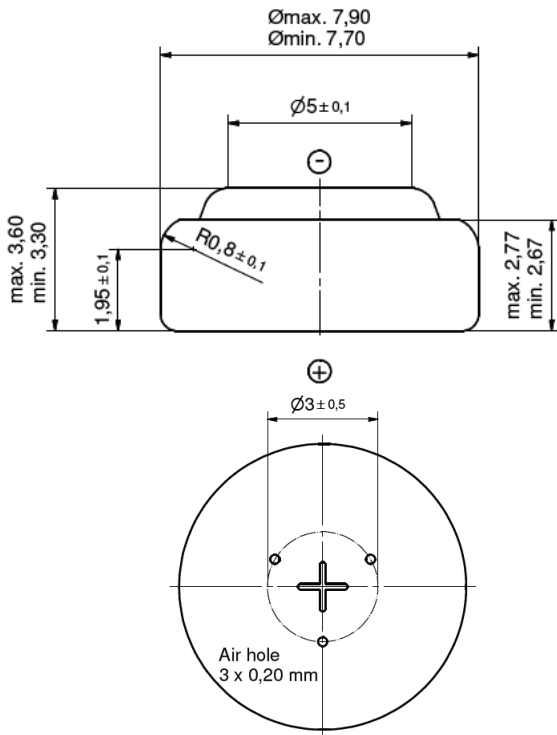


## Data sheet 312



### Specifications:

Chemical system:	Zinc / Air
Nominal voltage:	1,45 V
IEC Standard Test Capacity:	83 h*
IEC Wireless Test Capacity:	55 h**
Impedance:	max. 7,5 $\Omega$ @ 1kHz
Weight:	approx 0,58 g
Volume:	approx 0,16 ccm
Storage:	10-30°C / 20-80 % r.h.
Operating:	0-45°C / 25-70 % r.h.
Short Exposition:	-10-65°C / 5-95 % r.h.

\* IEC Hearing aid standard test to 1,05 V at 20°C / 55% r.h. according to IEC 60086-2:2021

\*\*IEC Wireless streaming test to 1.1V at 20°C / 55% r.h. according to IEC 60086-2:2021

### Dimensions:

according to IEC 60086-2:2021

IEC:

PR41