

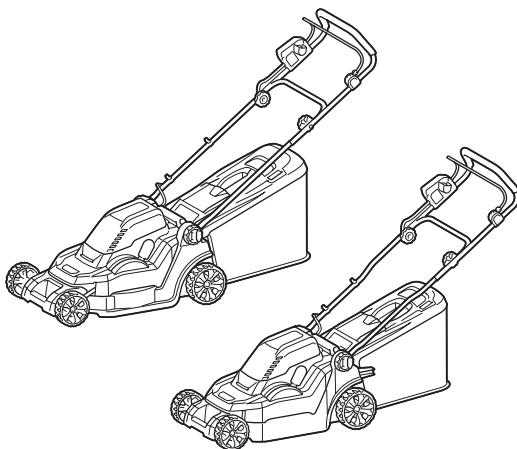
INSTRUCTION MANUAL



# Cordless Lawn Mower

DLM382

DLM432



Read before use.

# SPECIFICATIONS

Model:		DLM382	DLM432
Mowing width (blade diameter)		380 mm	430 mm
No load speed		3,700 min <sup>-1</sup>	3,600 min <sup>-1</sup>
Part number of replacement mower blade		191D41-2	191D43-8
Dimensions (L x W x H)	during operation	L: 1,380 mm to 1,410 mm W: 450 mm H: 985 mm to 1,005 mm	L: 1,435 mm to 1,490 mm W: 460 mm H: 1,005 mm to 1,045 mm
	when stored (without grass basket)	860 mm x 450 mm x 475 mm	865 mm x 460 mm x 475 mm
Rated voltage		D.C. 36 V	
Net weight		16.2 - 16.9 kg	16.8 - 17.5 kg

- Due to our continuing program of research and development, the specifications herein are subject to change without notice.
- Specifications may differ from country to country.
- The weight may differ depending on the attachment(s), including the battery cartridge. The lightest and heaviest combination, according to EPA-Procedure 01/2014, are shown in the table.

## Applicable battery cartridge

BL1815N / BL1820 / BL1820B / BL1830 / BL1830B / BL1840 / BL1840B / BL1850 / BL1850B / BL1860B

- Some of the battery cartridges listed above may not be available depending on your region of residence.

**⚠ WARNING: Only use the battery cartridges listed above.** Use of any other battery cartridges may cause injury and/or fire.

## Symbols

The followings show the symbols used for the equipment. Be sure that you understand their meaning before use.

	Take particular care and attention.
	Read instruction manual.
	Danger; be aware of thrown objects.
	The distance between the tool and bystanders must be at least 15 m.
	Never put your hands and feet near the blade under the mower. Blades continue to rotate after the motor is switched off.
	Remove the lock key before inspecting, adjusting, cleaning, servicing, leaving and storing the mower.
 Ni-MH Li-ion	Only for EU countries Do not dispose of electric equipment or battery pack together with household waste material! In observance of the European Directives, on Waste Electric and Electronic Equipment and Batteries and Accumulators and Waste Batteries and Accumulators and their implementation in accordance with national laws, electric equipment and batteries and battery pack(s) that have reached the end of their life must be collected separately and returned to an environmentally compatible recycling facility.

## Intended use

The machine is intended for lawn mowing.

## Noise

The typical A-weighted noise level determined according to EN60335-2-77:

### Model DLM382

Sound pressure level ( $L_{pA}$ ): 81 dB(A)

Sound power level ( $L_{WA}$ ): 91 dB (A)

Uncertainty (K): 3 dB(A)

### Model DLM432

Sound pressure level ( $L_{pA}$ ): 81 dB(A)

Sound power level ( $L_{WA}$ ): 92 dB (A)

Uncertainty (K): 3 dB(A)

**NOTE:** The declared noise emission value(s) has been measured in accordance with a standard test method and may be used for comparing one tool with another.

**NOTE:** The declared noise emission value(s) may also be used in a preliminary assessment of exposure.

**⚠ WARNING: Wear ear protection.**

**⚠ WARNING: The noise emission during actual use of the power tool can differ from the declared value(s) depending on the ways in which the tool is used especially what kind of workpiece is processed.**

**⚠ WARNING: Be sure to identify safety measures to protect the operator that are based on an estimation of exposure in the actual conditions of use (taking account of all parts of the operating cycle such as the times when the tool is switched off and when it is running idle in addition to the trigger time).**

## Vibration

The vibration total value (tri-axial vector sum) determined according to EN60335-2-77:

### Model DLM382

Vibration emission ( $a_w$ ): 2.5 m/s<sup>2</sup> or less  
Uncertainty (K): 2.0 m/s<sup>2</sup>

### Model DLM432

Vibration emission ( $a_w$ ): 2.5 m/s<sup>2</sup> or less  
Uncertainty (K): 1.5 m/s<sup>2</sup>

**NOTE:** The declared vibration total value(s) has been measured in accordance with a standard test method and may be used for comparing one tool with another.

**NOTE:** The declared vibration total value(s) may also be used in a preliminary assessment of exposure.

**⚠ WARNING:** The vibration emission during actual use of the power tool can differ from the declared value(s) depending on the ways in which the tool is used especially what kind of workpiece is processed.

**⚠ WARNING:** Be sure to identify safety measures to protect the operator that are based on an estimation of exposure in the actual conditions of use (taking account of all parts of the operating cycle such as the times when the tool is switched off and when it is running idle in addition to the trigger time).

## EC Declaration of Conformity

### For European countries only

The EC declaration of conformity is included as Annex A to this instruction manual.

## SAFETY WARNINGS

### IMPORTANT SAFETY INSTRUCTIONS

**⚠ WARNING:** Read all safety warnings and all instructions. Failure to follow the warnings and instructions may result in electric shock, fire and/or serious injury.

## Save all warnings and instructions for future reference.

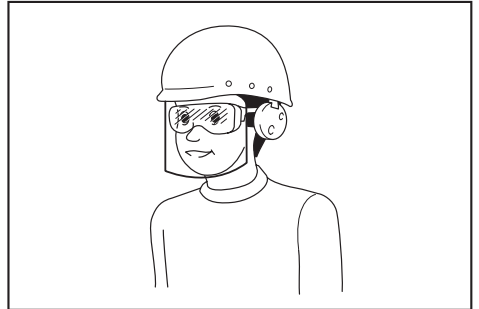
### Training

1. Read the instructions carefully. Be familiar with the controls and the proper use of the mower.
2. Never allow children or people unfamiliar with these instructions to use the mower. Local regulations can restrict the age of the operator.
3. Never operate the mower while people, especially children, or pets are nearby.
4. Keep in mind that the operator or user is responsible for accidents or hazards occurring to other people or their property.

5. Children should be supervised to ensure that they do not play with the mower.
6. **Physical condition - Do not operate mower while under the influence of drugs, alcohol, or any medication.**

### Preparation

1. While operating the mower, always wear substantial footwear and long trousers. Do not operate the mower when barefoot or wearing open sandals. Avoid wearing clothing or jewelry that is loose fitting or that has hanging cords or ties. They can be caught in moving parts.
2. Before use, always visually inspect the mower for damaged, missing or misplaced guards or shields.
3. Be sure the area is clear of other people before mowing. Stop mower if anyone enters the area.
4. Do not insert the lock key into mower until it is ready to be used.
5. Always wear protective goggles to protect your eyes from injury when using power tools. The goggles must comply with ANSI Z87.1 in the USA, EN 166 in Europe, or AS/NZS 1336 in Australia/New Zealand. In Australia/New Zealand, it is legally required to wear a face shield to protect your face, too.



It is an employer's responsibility to enforce the use of appropriate safety protective equipments by the tool operators and by other persons in the immediate working area.

6. Check the blades or blade bolts carefully for cracks or damage before operation. Replace cracked or damaged blades or blade bolts immediately.
7. Remove foreign matters such as rocks, wire, bottles, bones and large sticks from the work area before mowing to prevent personal injury or damage to the mower.
8. Objects struck by the mower blade can cause severe injuries to persons. The lawn should always be carefully examined and cleared of all objects prior to each mowing.
9. Watch for holes, ruts, bumps, rocks, or other hidden objects. Uneven terrain could cause a slip and fall accident. Tall grass can hide obstacles.

### Operation

1. Do not overreach. Keep the balance at all times. Always be sure of the footing on slopes. Walk, never run.

2. **Stop the mower and remove the lock key, and make sure that all moving parts have come to a complete stop:**
    - whenever you leave the mower,
    - before clearing blockages or unclogging chute,
    - before checking, cleaning or working on the mower,
    - after striking a foreign object. Inspect the mower for damage and make repairs before restarting and operating the mower,
    - whenever the mower starts vibrating abnormally.
  3. **Never operate the mower with defective guards or shields, or without safety devices, for example deflectors and/or grass basket, in place.**
  4. **Avoid using the mower in bad weather conditions especially when there is a risk of lightning.**
  5. **Wear eye protection and stout shoes at all times while operating the mower.**
  6. **Operate the mower only in daylight or in good artificial light.**
  7. **Switch on the mower carefully according to instructions and with feet well away from the blade(s).**
  8. **Take care against injury to feet and hands from the mower blades.**
  9. **Always ensure that the ventilation openings are kept clear of debris.**
  10. **Mow across the face of slopes, never up and down. Exercise extreme caution when changing direction on slopes. Do not mow excessively steep slopes.**
  11. **Use extreme caution when reversing or pulling the mower towards you.**
  12. **Stop the blade(s) if the mower has to be tilted for transportation when crossing surfaces other than grass, and when transporting the mower to and from the area to be used.**
  13. **Do not tilt the mower when switching on the motor, except if the mower has to be tilted for starting. In this case, do not tilt it more than absolutely necessary and lift only the part, which is away from the operator. Always ensure that both hands are in the operating position before returning the mower to the ground.**
  14. **Do not put hands or feet near or under rotating parts. Keep clear of the discharge opening at all times.**
  15. **Do not transport the mower while the mower is turned on.**
  16. **Avoid operating the mower in wet grass.**
  17. **Never operate the mower in the rain.**
  18. **Always keep a firm hold on the handle.**
  19. **Don't grasp the exposed cutting blades or cutting edges when picking up or holding the mower.**
  20. **Keep hands and feet away from rotating blades. Caution - Blades coast after the mower is switched off.**
  21. **Stop operation immediately if you notice anything unusual. Switch off the mower and remove the lock key. Then inspect the mower.**
  22. **Never attempt to make cutting height adjustments while mower is running if the mower has cutting height adjustment feature.**
  23. **Release switch lever and wait for blade rotation to stop before crossing driveways, walks, roads, and any gravel-covered areas. Also remove the lock key if you leave the mower, reach to pick up or remove something out of your way, or for any other reason that may distract you from what you are doing.**
  24. **If the mower strikes a foreign object, follow these steps:**
    - Stop the mower, release the switch lever and wait until the blade comes to a complete stop.
    - Remove the lock key and the battery cartridge.
    - Thoroughly inspect the mower for any damage.
    - Replace the blade if it is damaged in any way. Repair any damage before restarting and continuing to operate the mower.
  25. **Do not start the mower when standing in front of the discharge opening.**
  26. **If the mower starts to vibrate abnormally (check immediately)**
    - inspect for damage,
    - replace or repair any damaged parts,
    - check for and tighten any loose parts.
  27. **Never direct discharged material toward anyone. Avoid discharging material against a wall or obstruction. Material may ricochet back toward the operator. Stop the blade when crossing gravel surfaces.**
  28. **Do not pull the mower backwards unless absolutely necessary. When you are compelled to back the mower from a fence or other similar obstruction, look down and behind before and while moving backwards.**
  29. **Shut the motor off and wait until the blade comes to a complete stop before removing the grass catcher. Beware that the blades coast after turn off.**
- Maintenance and storage**
1. **Replace worn or damaged parts for safety. Use only genuine replacement parts and accessories.**
  2. **Inspect and maintain the mower regularly.**
  3. **When not in use, store the mower out of the reach of children.**
  4. **Keep all nuts, bolts, and screws tight to be sure the equipment is in safe working condition.**
  5. **Check the grass basket frequently for wear or deterioration. For storage, always make sure the grass basket is empty. Replace a worn grass basket with a new factory replacement for safety.**
  6. **Use only the manufacturer genuine blades specified in this manual.**
  7. **Be careful during adjustment of the mower to prevent entrapment of the fingers between moving blades and fixed parts of the mower.**
  8. **Do not wash with a hose; avoid getting water in motor and electrical connections.**

9. Check the blade mounting bolt at frequent intervals for proper tightness.
10. Always allow the mower to cool down before storing.
11. When servicing the blades be aware that, even though the power source is switched off, the blades can still be moved.
12. Never remove or tamper with safety devices. Check their proper operation regularly. Never do anything to interfere with the intended function of a safety device or to reduce the protection provided by a safety device.

#### Battery tool use and care

1. Recharge only with the charger specified by the manufacturer. A charger that is suitable for one type of battery pack may create a risk of fire when used with another battery pack.
2. Use power tools only with specifically designated battery packs. Use of any other battery packs may create a risk of injury and fire.
3. When battery pack is not in use, keep it away from other metal objects, like paper clips, coins, keys, nails, screws or other small metal objects, that can make a connection from one terminal to another. Shorting the battery terminals together may cause burns or fire.
4. Under abusive conditions, liquid may be ejected from the battery; avoid contact. If contact accidentally occurs, flush with water. If liquid contacts eyes, additionally seek medical help. Liquid ejected from the battery may cause irritation or burns.
5. Do not use a battery pack or tool that is damaged or modified. Damaged or modified batteries may exhibit unpredictable behaviour resulting in fire, explosion or risk of injury.
6. Do not expose a battery pack or tool to fire or excessive temperature. Exposure to fire or temperature above 130 °C may cause explosion.
7. Follow all charging instructions and do not charge the battery pack or tool outside the temperature range specified in the instructions. Charging improperly or at temperatures outside the specified range may damage the battery and increase the risk of fire.

#### Electrical and battery safety

1. Do not dispose of the battery(ies) in a fire. The cell may explode. Check with local codes for possible special disposal instructions.
2. Do not open or mutilate the battery(ies). Released electrolyte is corrosive and may cause damage to the eyes or skin. It may be toxic if swallowed.
3. Do not charge battery in rain, or in wet locations.
4. Do not charge the battery outdoors.
5. Do not handle charger, including charger plug, and charger terminals with wet hands.

#### Service

1. Have your power tool serviced by a qualified repair person using only identical replacement parts. This will ensure that the safety of the power tool is maintained.

2. Never service damaged battery packs. Service of battery packs should only be performed by the manufacturer or authorized service providers.

## SAVE THESE INSTRUCTIONS.

**⚠WARNING:** DO NOT let comfort or familiarity with product (gained from repeated use) replace strict adherence to safety rules for the subject product.

MISUSE or failure to follow the safety rules stated in this instruction manual may cause serious personal injury.

### Important safety instructions for battery cartridge

1. Before using battery cartridge, read all instructions and cautionary markings on (1) battery charger, (2) battery, and (3) product using battery.
2. Do not disassemble battery cartridge.
3. If operating time has become excessively shorter, stop operating immediately. It may result in a risk of overheating, possible burns and even an explosion.
4. If electrolyte gets into your eyes, rinse them out with clear water and seek medical attention right away. It may result in loss of your eyesight.
5. Do not short the battery cartridge:
  - (1) Do not touch the terminals with any conductive material.
  - (2) Avoid storing battery cartridge in a container with other metal objects such as nails, coins, etc.
  - (3) Do not expose battery cartridge to water or rain.
6. Do not store the tool and battery cartridge in locations where the temperature may reach or exceed 50 °C (122 °F).
7. Do not incinerate the battery cartridge even if it is severely damaged or is completely worn out. The battery cartridge can explode in a fire.
8. Be careful not to drop or strike battery.
9. Do not use a damaged battery.
10. The contained lithium-ion batteries are subject to the Dangerous Goods Legislation requirements.

A battery short can cause a large current flow, overheating, possible burns and even a breakdown.

For commercial transports e.g. by third parties, forwarding agents, special requirement on packaging and labeling must be observed. For preparation of the item being shipped, consulting an expert for hazardous material is required. Please also observe possibly more detailed national regulations.

Tape or mask off open contacts and pack up the battery in such a manner that it cannot move around in the packaging.

11. When disposing the battery cartridge, remove it from the tool and dispose of it in a safe place. Follow your local regulations relating to disposal of battery.
12. Use the batteries only with the products specified by Makita. Installing the batteries to non-compliant products may result in a fire, excessive heat, explosion, or leak of electrolyte.
13. If the tool is not used for a long period of time, the battery must be removed from the tool.

## SAVE THESE INSTRUCTIONS.

**⚠CAUTION:** Only use genuine Makita batteries. Use of non-genuine Makita batteries, or batteries that have been altered, may result in the battery bursting causing fires, personal injury and damage. It will also void the Makita warranty for the Makita tool and charger.

## Tips for maintaining maximum battery life

1. Charge the battery cartridge before completely discharged. Always stop tool operation and charge the battery cartridge when you notice less tool power.
2. Never recharge a fully charged battery cartridge. Overcharging shortens the battery service life.
3. Charge the battery cartridge with room temperature at 10 °C - 40 °C (50 °F - 104 °F). Let a hot battery cartridge cool down before charging it.
4. Charge the battery cartridge if you do not use it for a long period (more than six months).

## ASSEMBLY

**⚠WARNING:** Always be sure that the lock key and battery cartridge are removed before carrying out any work on the mower. Failure to remove the lock key and the battery cartridge may result in serious personal injury from accidental start-up.

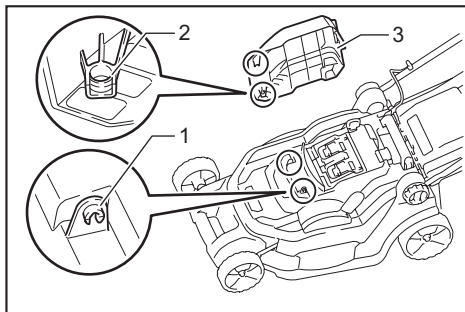
**⚠WARNING:** Never start the mower unless it is completely assembled. Operation of the machine in a partially assembled state may result in serious personal injury from accidental start-up.

## Installing the battery cover

**⚠WARNING:** Do not insert the lock key and battery cartridge before installing the battery cover. Failure to do so may cause a serious injury.

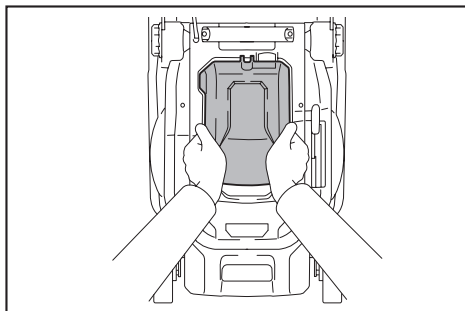
Install the battery cover completely before the operation. The battery cover protects the mower and battery cartridge from mud, dirt, and water.

1. Place the battery cover with the protrusions on the mower aligned with the holes on the battery cover.

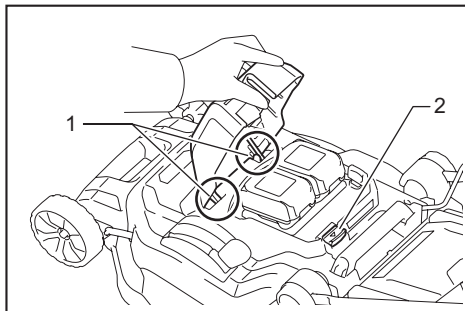


- 1. Protrusion 2. Hole 3. Battery cover

2. Place your hands in the middle of the battery cover and push it.



3. Before the first operation, check that the pivot point of the battery cover is attached properly. If the battery cover is installed correctly, it will not open until the battery cover locking lever is pulled.

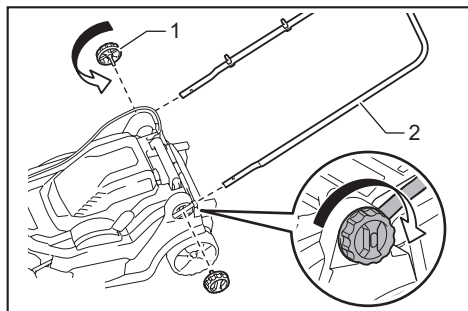


- 1. Pivot point 2. Battery cover locking lever

## Installing the handle

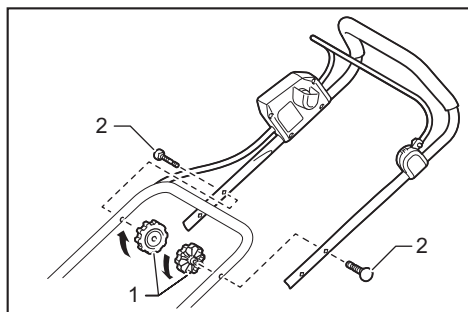
**NOTICE:** When installing handles, position the cords so that they are not caught by anything between the handles. If the cord is damaged, the mower switch may not work.

1. Slide the both ends of lower handle into the grooves of the mower then fully tighten the clamping screws.



- 1. Clamping screw 2. Lower handle

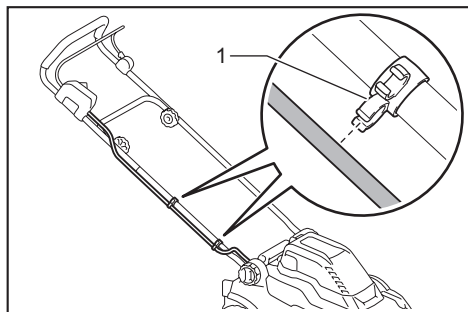
2. Align the screw holes of upper handle and lower handle. Secure them with the clamping screws and nuts.



- 1. Clamping nut 2. Clamping screw

**NOTE:** Hold the upper handle firmly so that it does not drop off your hand.

3. Attach the holders to the handle. Position the power supply cord as shown in the figure.

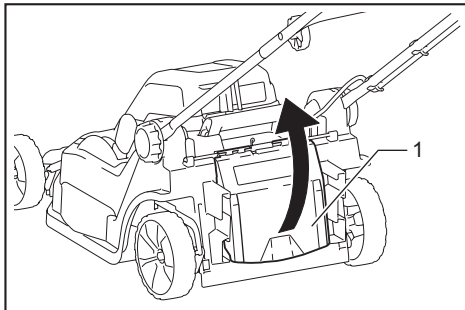


- 1. Holder

## Removing the mulching plug

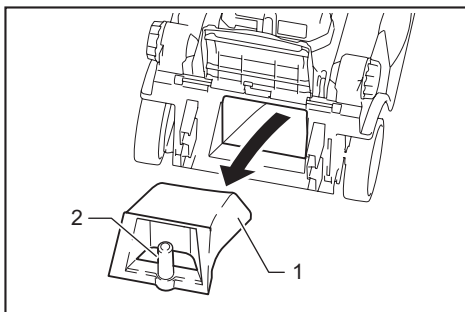
### Optional accessory

1. Open the rear cover.



- 1. Rear cover

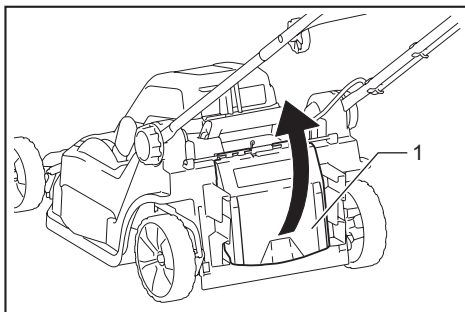
2. Hold the mulching plug by the handle, and then pull it out from the mower body as shown in the figure.



- 1. Mulching plug 2. Handle

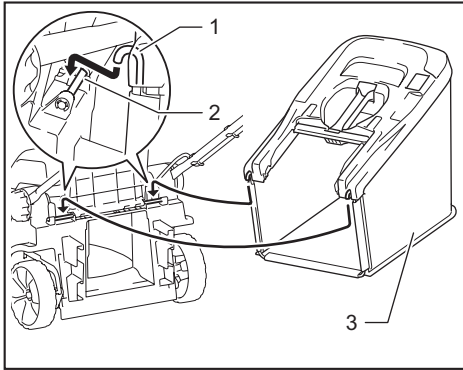
## Installing the grass basket

1. Open the rear cover.



- 1. Rear cover

- Hook the grass basket on the rod of the mower body as shown in the figure.

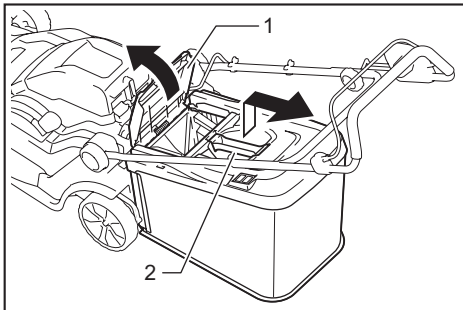


- 1. Hook 2. Rod 3. Grass basket

## Attaching the mulching plug

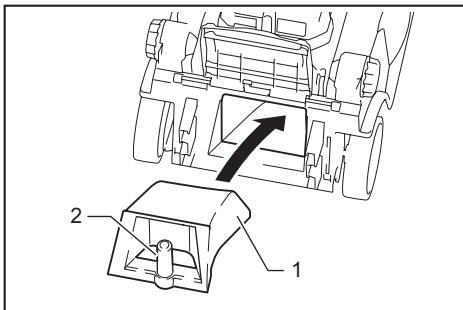
### Optional accessory

- Open the rear cover, and then remove the grass basket.



- 1. Rear cover 2. Grass basket

- Hold the mulching plug by the handle, and then attach it to the mower body as shown in the figure.



- 1. Mulching plug 2. Handle

# FUNCTIONAL DESCRIPTION

## Installing or removing battery cartridge

**CAUTION:** Always switch off the machine before installing or removing of the battery cartridge.

**CAUTION:** Make sure that you lock the battery cover before use. Otherwise, mud, dirt, or water may cause damage to the product or the battery cartridge.

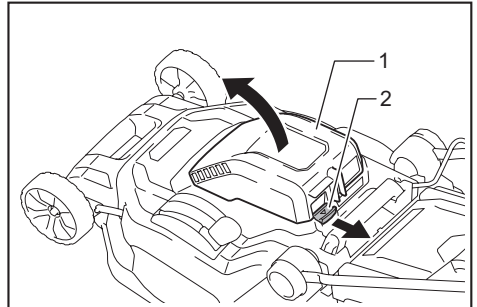
**CAUTION:** Always install the battery cartridge fully until the red indicator cannot be seen. If not, it may accidentally fall out of the machine, causing injury to you or someone around you.

**CAUTION:** Do not install the battery cartridge forcibly. If the cartridge does not slide in easily, it is not being inserted correctly.

**NOTE:** The machine does not work with only one battery cartridge.

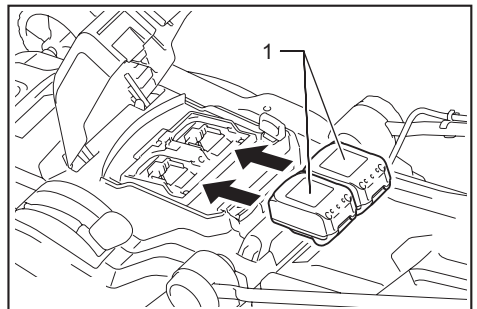
### To install the battery cartridge;

- Slide the battery cover locking lever and open the battery cover.



- 1. Battery cover 2. Battery cover locking lever

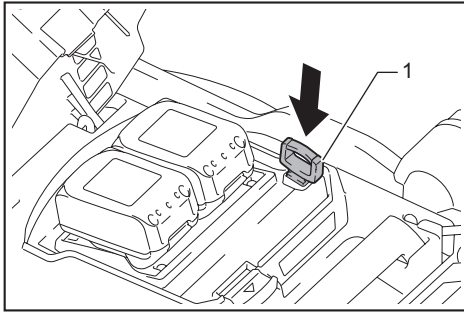
- Align the tongue on the battery cartridge with the slot on the mower then slide the cartridge until it locks in place with a little click.



- 1. Battery cartridge



- Insert the lock key in the place shown in the figure as far as it will go.



► 1. Lock key

- Close the battery cover and push it until it is latched with the locking lever.

**To remove the battery cartridge from the mower;**

- Slide the battery cover locking lever and open the battery cover.
- Pull out the battery cartridge from the mower while sliding the button on the front of the cartridge.
- Pull out the lock key.
- Close the battery cover.

**Machine / battery protection system**

The machine is equipped with a machine/battery protection system. This system automatically cuts off power to the motor to extend tool and battery life. The machine will automatically stop during operation if the machine or battery is placed under one of the following conditions.

**Overload protection**

When the machine is operated in a manner that causes it to draw an abnormally high current, the machine automatically stops without any indication. In this situation, turn the machine off and stop the application that caused the machine to become overloaded. Then turn the machine on to restart.

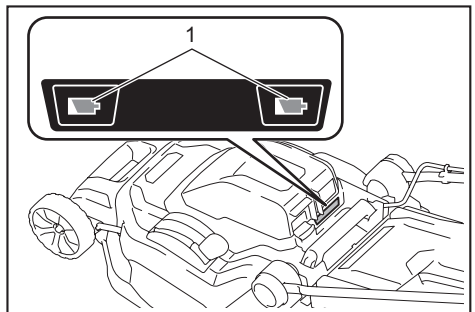
**Overheat protection**

When the machine is overheated, the machine stops automatically. Let the machine cool down before turning the machine on again.

**Overdischarge protection**

When the battery capacity becomes low, the machine stops automatically. If the product does not operate even when the switches are operated, remove the batteries from the machine and charge the batteries.

**Indicating the remaining battery capacity**

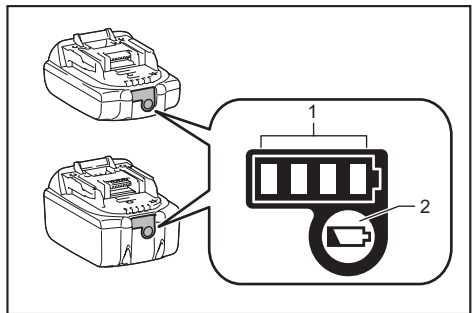


► 1. Battery indicator

When the remaining battery capacity gets low, the battery indicator blinks on the applicable battery side. By further use, the machine stops and the battery indicator lights up about 10 seconds. In this situation, charge the battery cartridge.

























**Indicating the remaining battery capacity**

*Only for battery cartridges with the indicator*



► 1. Indicator lamps 2. Check button

Press the check button on the battery cartridge to indicate the remaining battery capacity. The indicator lamps light up for a few seconds.

Indicator lamps			Remaining capacity
 Lighted	 Off	 Blinking	
			75% to 100%
			50% to 75%
			25% to 50%
			0% to 25%
			Charge the battery.
			The battery may have malfunctioned.
			

**NOTE:** Depending on the conditions of use and the ambient temperature, the indication may differ slightly from the actual capacity.

## Switch action

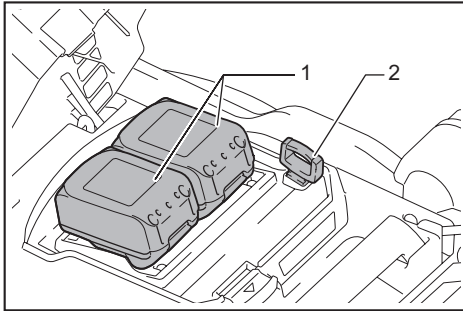
**⚠ WARNING:** Before installing the battery cartridge, always check to see that the switch lever actuates properly and returns to the original position when released. Operating a machine with a switch that does not actuate properly can lead to loss of control and serious personal injury.

**NOTE:** The mower does not start without pressing the switch button even the switch lever is pulled.

**NOTE:** Mower may not start due to the overload when you try to mow long or dense grass at a time. Increase the mowing height in this case.

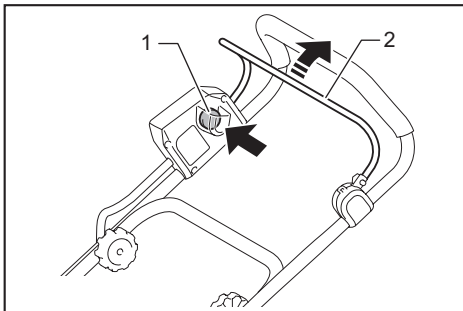
This mower is equipped with the interlock switch and handle switch. If you notice anything unusual with either of these switches, stop operation immediately and have them checked by your nearest Makita Authorized Service Center.

1. Install the battery cartridges. Insert the lock key into the interlock switch and then close the battery cover.



- 1. Battery cartridge 2. Lock key

2. Press the switch button and hold it.
3. Grab the upper handle and pull the switch lever.



- 1. Switch button 2. Switch lever

4. Release the switch button as soon as the motor starts running. The mower will continue to run until you release the switch lever.
5. Release the switch lever to stop the motor.

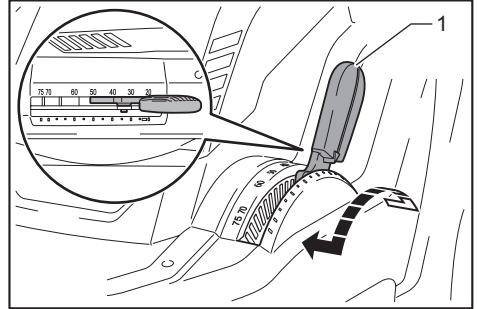
## Adjusting the mowing height

**⚠ WARNING:** Never put your hand or leg under the mower body when adjusting the mowing height.

**⚠ WARNING:** Always make sure that the lever fits in the groove properly before operation.

The mowing height can be adjusted in the range of between 20 mm and 75 mm.

1. Remove the lock key.
2. Pull the mowing height adjusting lever to the outward of the mower body and move it to your desired mowing height.

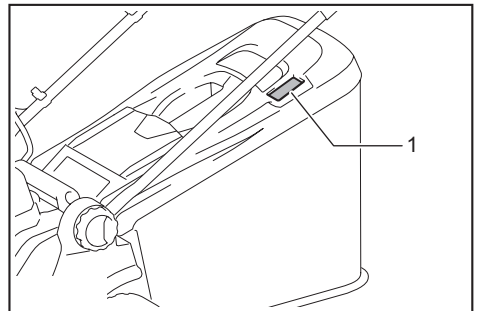


- 1. Mowing height adjusting lever

**NOTE:** The mowing height figures should be used just as a guideline. Depending on the conditions of the lawn or the ground, the actual lawn height may become slightly different from the set height.

**NOTE:** Try a test mowing of grass in a less conspicuous place to get your desired height.

## Grass level indicator



- 1. Grass level indicator

Grass level indicator shows the volume of mowed grass.

- When the grass basket is not full, the indicator floats during mowing.
- When the grass basket is full, the indicator does not float during mowing. In this case, stop mowing immediately and empty the basket. After emptying the basket, clean it so that its meshwork vents the air.

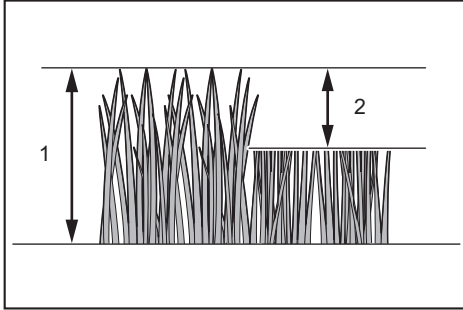
**NOTE:** This indicator is a rough guide. Depending on the conditions of inside of the basket, this indicator may not work properly.

## Using mulching plug

### Optional accessory

The mulching plug allows you to return the cut grass to the ground without gathering the cut grass in the grass basket. When you operate the machine with the mulching plug, be sure to remove the grass basket.

**NOTICE:** When using the machine with the mulching plug, make sure that the total length of grass is 30 mm or more, or the cut length is 15 mm or less.



► (1) 30 mm or more (2) 15 mm or less

## OPERATION

### Mowing

**⚠ WARNING:** Before mowing, clear away sticks and stones from mowing area. Furthermore, clear away any weeds from mowing area in advance.

**⚠ WARNING:** Always wear the safety goggles or safety glasses with side shields when operating the mower.

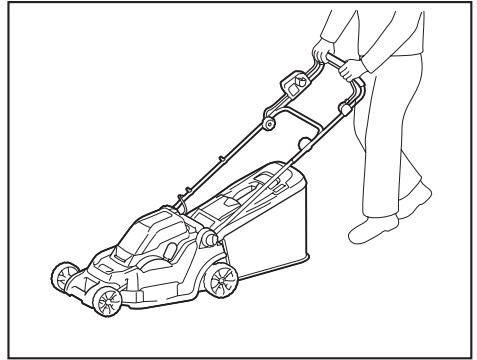
**⚠ CAUTION:** If the cut grass or foreign object blocks up inside of the mower body, be sure to remove the lock key and battery cartridge and wear gloves before removing the grass or foreign object.

**NOTICE:** Use this machine for mowing lawn only. Do not mow weeds with this machine.

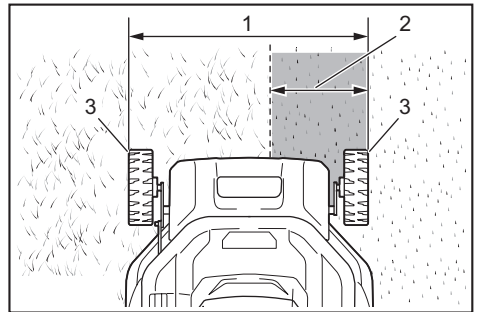


Firmly hold the handle with both hands when mowing.

The mowing speed guideline is approximately 1 meter per 4 seconds.

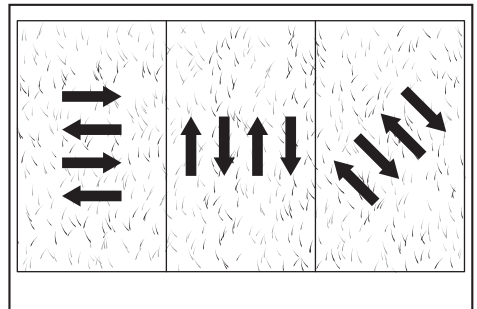


The outside edges of the front wheels are guidelines to mowing width. Using the outside edges of the front wheels as guidelines, mow in strips. Overlap by one half to one third the previous strip to mow the lawn evenly.



► 1. Mowing width 2. Overlapping area 3. Outside edge

Change the mowing direction each time to prevent the grass grain pattern from forming in just one direction.



Periodically check the grass basket for mowed grass. Empty the grass before it becomes full. Before every periodical check, be sure to stop the mower then remove the lock key and the battery cartridge.

**NOTICE:** Using the mower with the grass basket full prevents smooth blade rotation and places an extra load on the motor, which may cause breakdown.

## Mowing a long-grass lawn

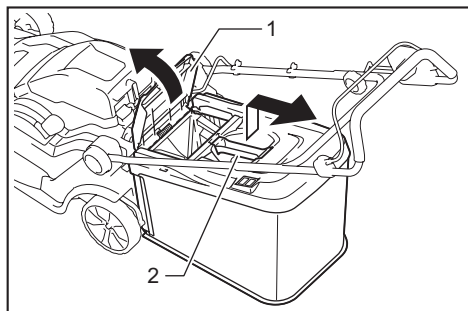
Do not try to cut long grass all in one go. Instead, mow the lawn in some steps. Leave a day or two between mows until the lawn becomes evenly short.

**NOTE:** Mowing long grass to a short length all in one go may cause the grass to die. The cut grass may also block up inside of the mower body.

## Emptying the grass basket

**⚠ WARNING:** To reduce a risk of accident, regularly check the grass basket for any damage or weakened strength. Replace the grass basket if necessary.

1. Release the switch lever.
2. Remove the lock key.
3. Open the rear cover and take out the grass basket by holding the handle.



► 1. Rear cover 2. Handle

4. Empty the grass basket.

## MAINTENANCE

**⚠ WARNING:** Always be sure that the lock key and battery cartridge are removed from the mower before storing or carrying the mower or attempting to perform inspection or maintenance.

**⚠ WARNING:** Always remove the lock key when the mower is not in use. Store the lock key in a safe place out of reach of children.

**⚠ WARNING:** Wear gloves when performing inspection or maintenance.

**⚠ WARNING:** Always wear the safety goggles or safety glasses with side shields when performing inspection or maintenance.

**NOTICE:** Never use gasoline, benzine, thinner, alcohol or the like. Discoloration, deformation or cracks may result.

To maintain product SAFETY and RELIABILITY, repairs, any other maintenance or adjustment should be performed by Makita Authorized or Factory Service Centers, always using Makita replacement parts.

## Maintenance

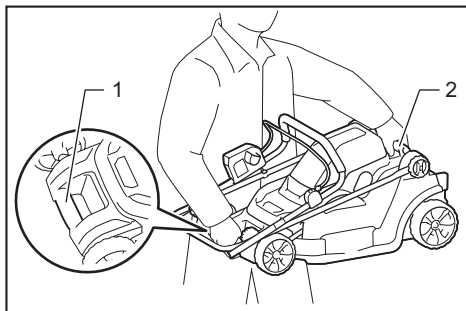
1. Remove the lock key. Store it in a safe place out of the reach of children.
2. Clean the mower using only a wet cloth. Do not spray or pour water on the mower when cleaning.
3. Put the mower on its side and clean grass clippings accumulated on the underside of mower deck.
4. Check all nuts, bolts, knobs, screws, fasteners etc. for tightness.
5. Inspect moving parts for damage, breakage, and wear. Damaged or missing parts should be repaired or replaced.

## Storage

**⚠ WARNING:** When carrying or storing the mower, do not hold the folded handles but the front grip of the mower. Holding the folded handles may cause a serious injury or damage to the mower.

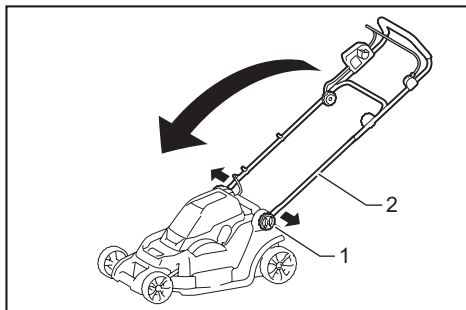
Before storing the mower, remove the battery cartridge and lock key.

Store mower indoors in a cool, dry and locked place. Don't store the mower and charger in locations where the temperature may reach or exceed 40 °C.



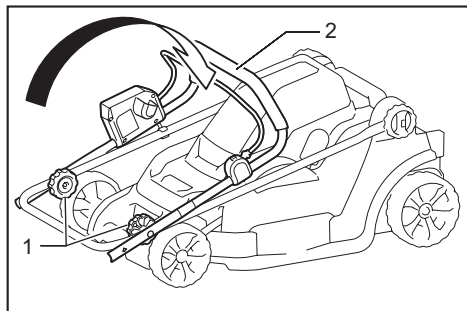
► 1. Front grip 2. Rear grip

1. Loosen the clamping screws and expand the lower handle to both sides. Move down the handle forward. At this time, keep a firm grip on the lower handle so that the handle does not fall down to the far side from the mower body.



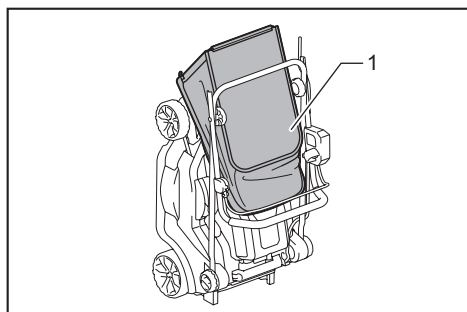
► 1. Clamping screw 2. Lower handle

- Loosen the clamping nuts and pivot the upper handle back while expanding the both sides.



- 1. Clamping nut 2. Upper handle

- Store the grass basket between the handle and the mower body.



- 1. Grass basket

**NOTE:** When putting the mower in the upright position, do not hold the handle but use the front grip of the mower.

## Removing or installing the mower blade

**⚠WARNING:** Always remove the lock key and battery cartridge when removing or installing the blade. Failure to remove the lock key and battery cartridge may cause a serious injury.

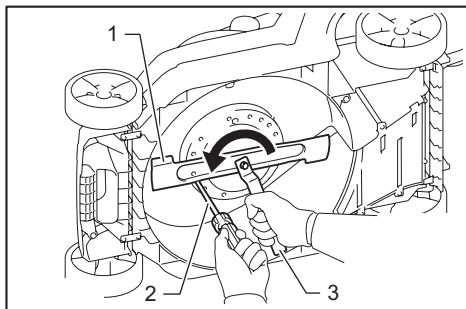
**⚠WARNING:** The blade coasts for a few seconds after releasing the switch. Do not start any operation until the blade comes to a complete stop.

**⚠WARNING:** Always wear gloves when handling the blade.

## Removing the mower blade

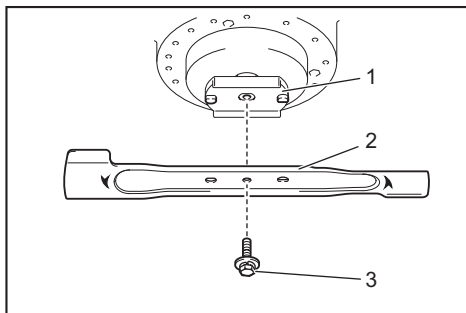
### For DLM382

- Put the mower on its side so that the mowing height adjusting lever comes to the upper side.
- To lock the blade rotation, insert a screwdriver or a similar tool into a hole on the mower body.
- Turn the bolt counterclockwise with the wrench.



- 1. Mower blade 2. Screwdriver 3. Wrench

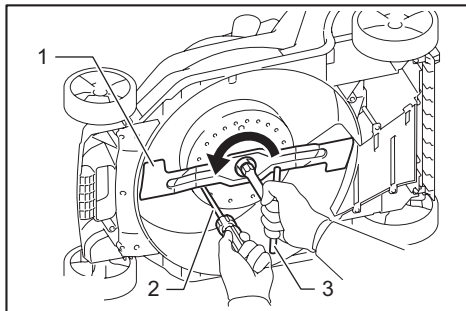
- Remove the bolt and blade in order.



- 1. Blade support 2. Mower blade 3. Bolt

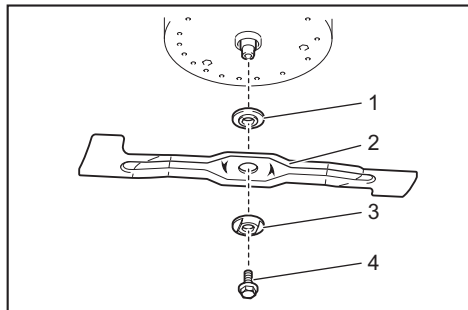
### For DLM432

- Put the mower on its side so that the mowing height adjusting lever comes to the upper side.
- To lock the blade rotation, insert a screwdriver or a similar tool into a hole on the mower body.
- Turn the bolt counterclockwise with the wrench.



- 1. Mower blade 2. Screwdriver 3. Wrench

4. Remove the bolt, outer flange, mower blade, and inner flange in order.



- 1. Inner flange 2. Mower blade 3. Outer flange  
4. Bolt

## Installing the mower blade

To install the mower blade, take the removal procedure in reverse.

**⚠ WARNING:** Install the mower blade carefully. It has a top/bottom facing. Place the blade so that the rotational direction arrow faces outward.

**⚠ WARNING:** Tighten the bolt clockwise firmly to secure the blade.

**⚠ WARNING:** Make sure that the mower blade and all the fixing parts are installed correctly and tightened securely.

**⚠ WARNING:** When you replace the blades, always follow the instructions provided in this manual.

## TROUBLESHOOTING

Before asking for repairs, conduct your own inspection first. If you find a problem that is not explained in the manual, do not attempt to dismantle the tool. Instead, ask Makita Authorized Service Centers, always using Makita replacement parts for repairs.

State of abnormality	Probable cause (malfunction)	Remedy
Mower does not start.	Two battery cartridges are not installed.	Install the charged battery cartridges.
	Battery problem (under voltage)	Recharge the battery cartridge. If recharging is not effective, replace battery cartridge.
	The lock key is not inserted.	Insert the lock key.
Motor stops running after a little use.	Battery's charge level is low.	Recharge the battery cartridge. If recharging is not effective, replace battery cartridge.
	Cutting height is too low.	Increase the cutting height.
Motor does not reach maximum RPM.	Battery cartridge is installed improperly.	Install the battery cartridge as described in this manual.
	Battery power is dropping.	Recharge the battery cartridge. If recharging is not effective, replace battery cartridge.
	The drive system does not work correctly.	Ask your local authorized service center for repair.
Mower blade does not rotate: ⇒ stop the mower immediately!	Foreign object such as a branch is jammed near the blade.	Remove the foreign object.
	The drive system does not work correctly.	Ask your local authorized service center for repair.
Abnormal vibration: ⇒ stop the mower immediately!	Blade is imbalanced, excessively or unevenly worn.	Replace the blade.

# OPTIONAL ACCESSORIES

**⚠ CAUTION:** These accessories or attachments are recommended for use with your Makita tool specified in this manual. The use of any other accessories or attachments might present a risk of injury to persons. Only use accessory or attachment for its stated purpose.

If you need any assistance for more details regarding these accessories, ask your local Makita Service Center.

- Mower blade
- Mulching plug
- Makita genuine battery and charger

**NOTE:** Some items in the list may be included in the tool package as standard accessories. They may differ from country to country.

**Makita Europe N.V.** Jan-Baptist Vinkstraat 2,  
3070 Kortenberg, Belgium

**Makita Corporation** 3-11-8, Sumiyoshi-cho,  
Anjo, Aichi 446-8502 Japan

[www.makita.com](http://www.makita.com)

885748-229 EN 20190902
------------------------------