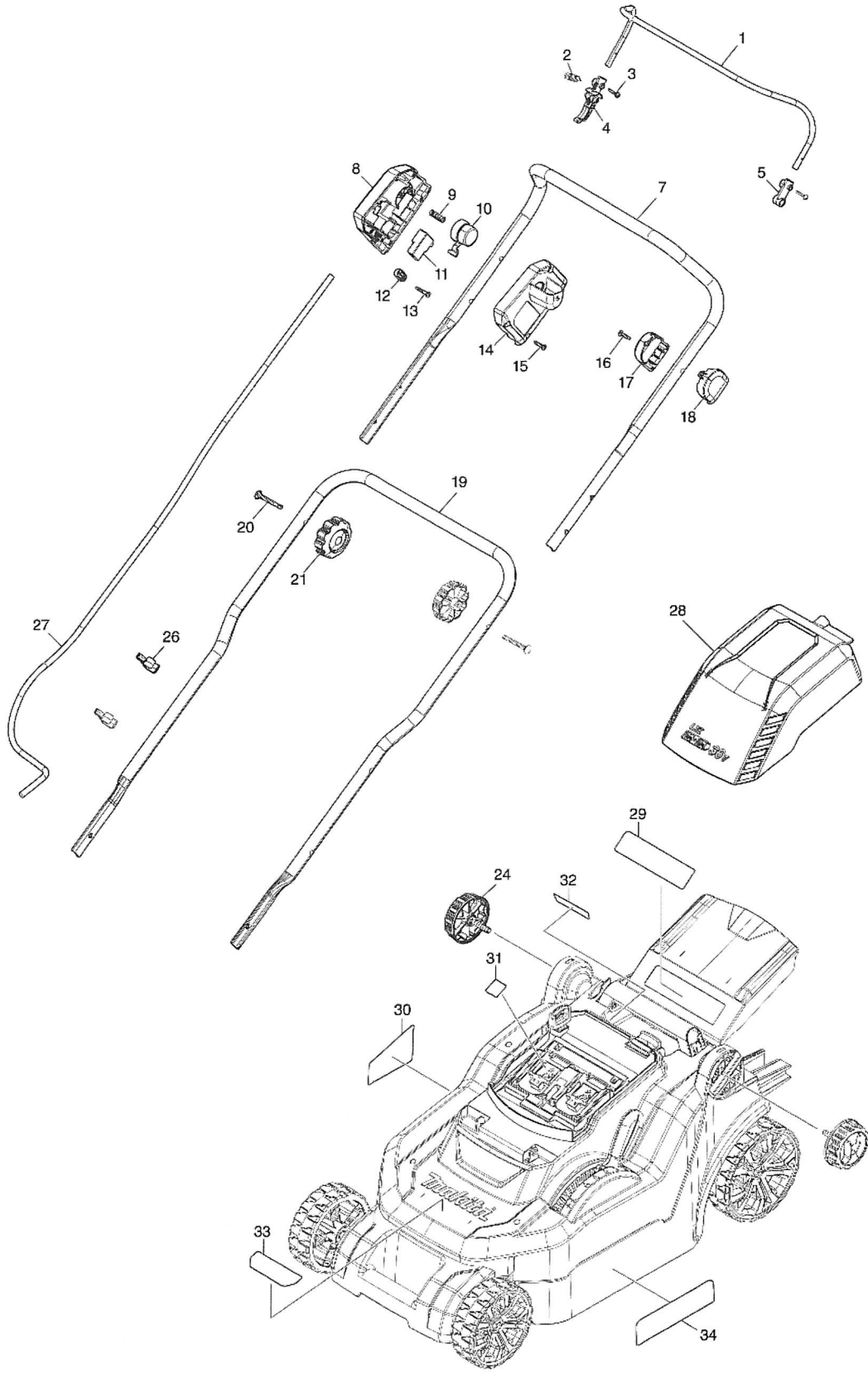
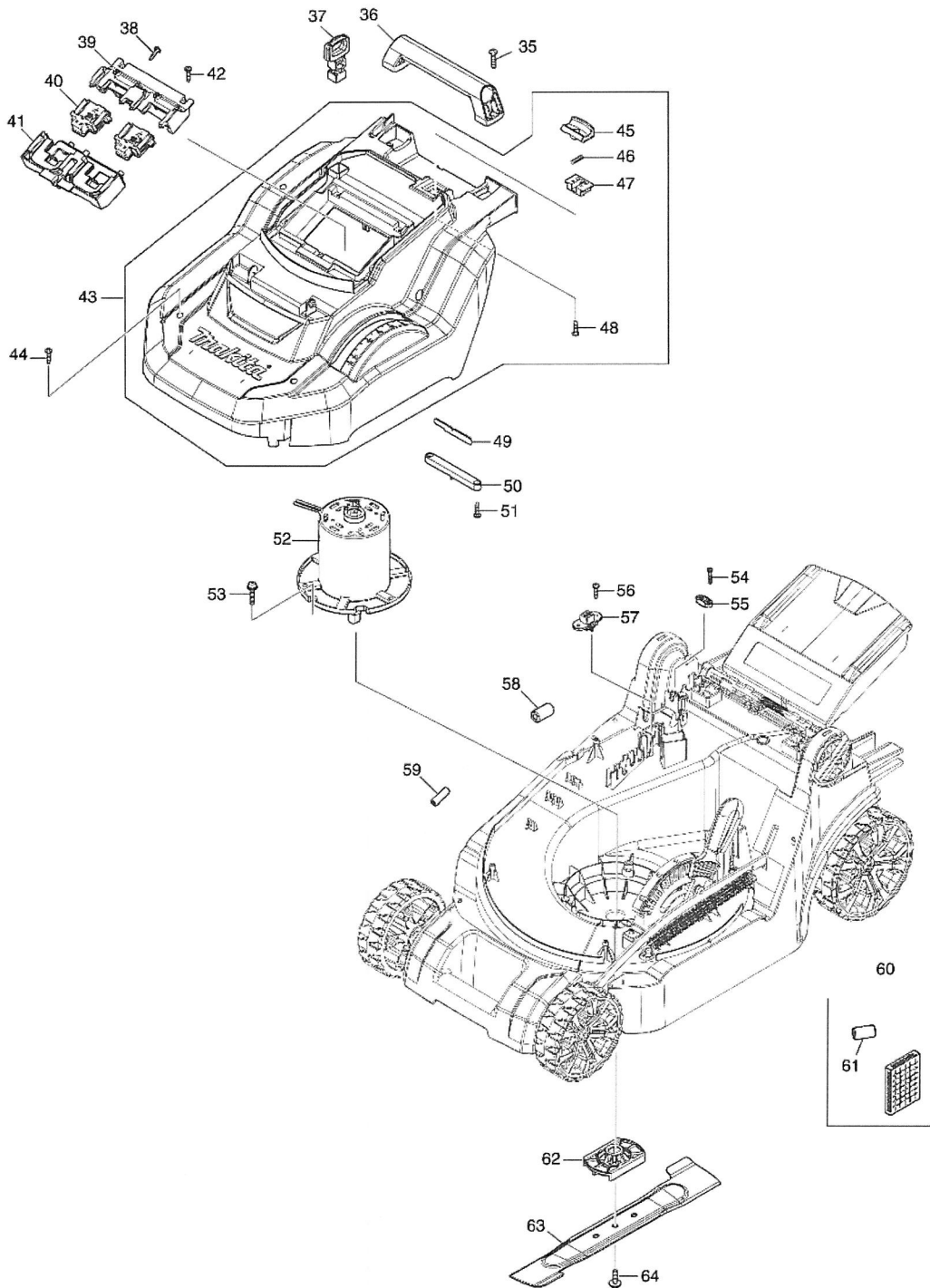


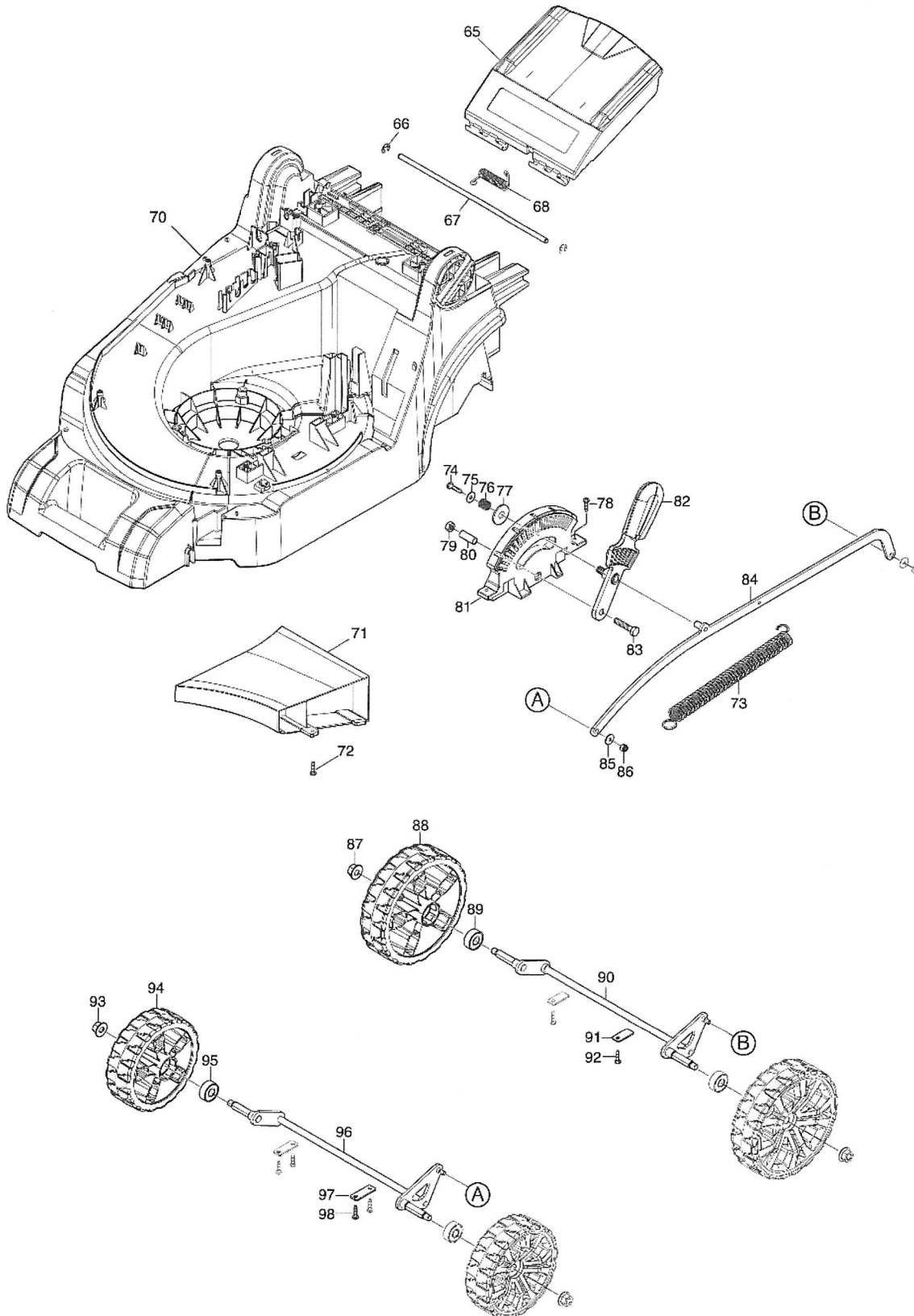
Model No.DLM382 380MM CORDLESS LAWN MOWER



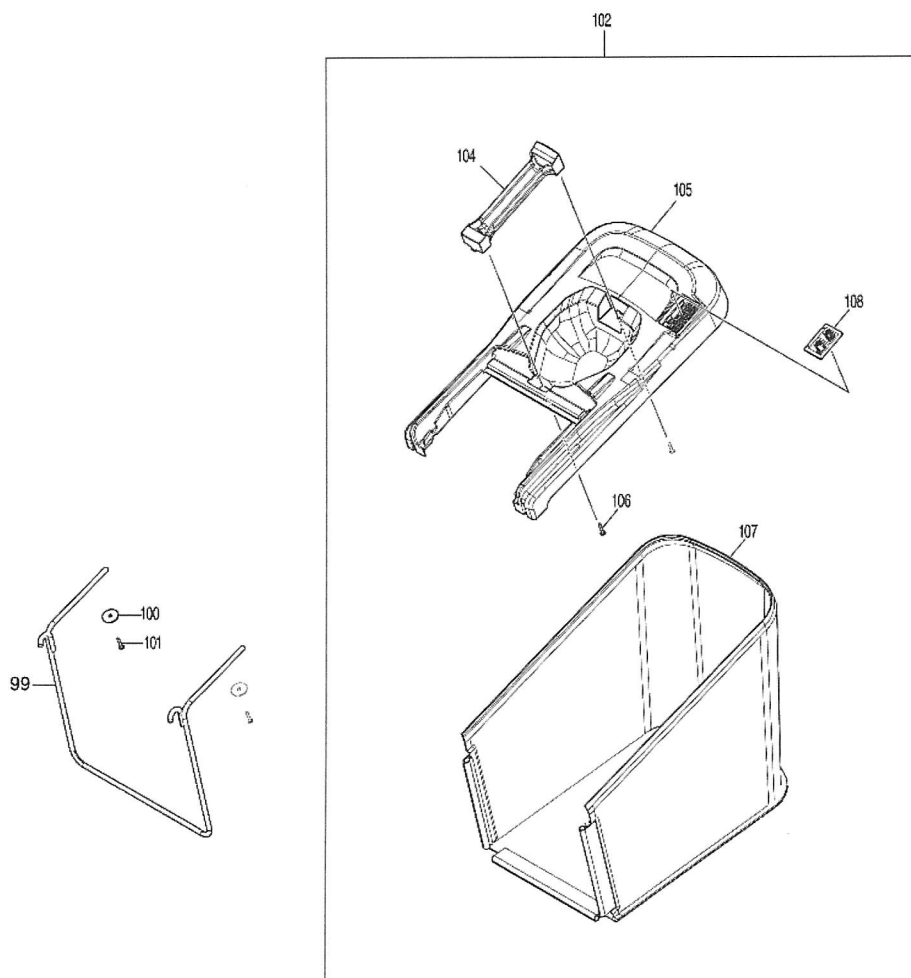
Model No.DLM382 380MM CORDLESS LAWN MOWER



Model No.DLM382 380MM CORDLESS LAWN MOWER



Model No.DLM382 380MM CORDLESS LAWN MOWER



POS. NO	PARTS NO.	DESCRIPTION	USED QTY	TECH INFO	MODEL
001	326636-0	SWITCH LEVER	1		
002	231876-6	TENSION SPRING 9	1		
003	911138-5	P.H.SCREW M4X20 WITH WR	2		
004	455075-8	LEVER	1		
005	455078-2	ARM	1		
007	143510-5	UPPER PIPE COMPLETE	1		
008	459804-1	SWITCH BOX	1		
009	233068-3	COMPRESSION SPRING 6	1		
010	455074-0	SWITCH BUTTON	1		
011	650730-9	SWITCH TG72BD-6	1		
012	687124-5	STRAIN RELIEF	1		
013	265999-8	TAPPING SCREW 4X25	2		
014	140N15-0	SWITCH BOX COVER COMPLETE K	1		
014	C10 890374-5	INDICATION LABEL	1		
015	266326-2	TAPPING SCREW 4X18	4		
016	266326-2	TAPPING SCREW 4X18	1		
017	456352-1	SWITCH LEVER CASE COVER	1		
018	456351-3	SWITCH LEVER CASE	1		
019	327413-3	LOWER PIPE	1		
020	265A14-4	CUP H. SQUARE NECK BOLT M6X50	2		
021	264070-5	THUMB NUT M6	2		
024	266729-0	THUMB SCREW M8X35	2		
026	459809-1	HOLDER	2		
027	660393-3	POWER SUPPLY CORD	1		
028	140N21-5	BATTERY COVER COMPLETE E	1		
028	C10 8005W1-7	CAUTION LABEL	1		
029	890375-3	CAUTION LABEL	1		
030	856L30-9	DLM382 NAME PLATE	1		
031	856L35-9	DLM382 SERIAL NO. LABEL	1		
032	8005W9-1	INDICATION LABEL	1		
033	8005W7-5	INDICATION LABEL	1		
034	8005W8-3	INDICATION LABEL	1		
035	266459-3	TAPPING SCREW 5X25	2		
036	273675-0	GRIP A	1		
037	643890-4	KEY	1		
038	266326-2	TAPPING SCREW 4X18	3		
039	183N35-1	TERMINAL HOUSING SET	1		
039	C10 263005-3	RUBBER PIN 6	4		
039	D10	INC. 41			
040	644809-6	TERMINAL	2		
041	183N35-1	TERMINAL HOUSING SET	1		
041	C10 263005-3	RUBBER PIN 6	4		

041	D10		INC. 39			
042		266326-2	TAPPING SCREW 4X18	3		
043		127393-1	COWLING M ASSEMBLY	1		
043	D10		INC. 45-48			
044		266326-2	TAPPING SCREW 4X18	4		
045		453250-0	LOCK LEVER	1		
046		233173-6	COMPRESSION SPRING 4	1		
047		453251-8	LOCK LEVER SUPPORT	1		
048		266326-2	TAPPING SCREW 4X18	2		
049		620B91-3	LED CIRCUIT	1		
050		455070-8	LED COVER	1		
051		266326-2	TAPPING SCREW 4X18	2		
052		629A17-6	DC MOTOR	1	D3555	
053		266774-5	+ PAN HEAD SCREW M6X30 WITH WF	3		
054		265999-8	TAPPING SCREW 4X25	2		
055		687124-5	STRAIN RELIEF	1		
056		266326-2	TAPPING SCREW 4X18	2		
057		638946-6	LEAD UNIT	1		
058		688162-0	LINE FILTER	1		
059		688165-4	LINE FILTER	2		
060		632P17-7	CONTROLLER UNIT	1		
060	C10	654208-4	RECEPTACLE	1		
060	D10		INC. 61			
061		688162-0	LINE FILTER	1		
062		459811-4	BLADE SUPPORT	1		
063		191D41-2	BLADE 380 SET	1		
064		256933-9	HEX. HEAD BOLT M8X35 WITH WG	1		
065		140S15-0	REAR FLAP COMPLETE	1		
065	D10		INC. 29			
066		LC961018-5	STOP RING (EXT) E-5	2		
067		259068-5	ROD 6	1		
068		LC233597-6	TORSION SPRING 8	1		
070		459777-8	DECK	1		
070	C10	346544-9	PLATE NUT M8	2		
070	C20	931302-2	HEX. NUT M6	3		
071		412272-9	UNDER COVER	1		
072		266326-2	TAPPING SCREW 4X18	3		
073		LC231875-8	TENSION SPRING 16	1		
074		266326-2	TAPPING SCREW 4X18	1		
075		LC267102A7	FLAT WASHER 4	1		
076		LC231297-2	COMPRESSION SPRING 9	1		
077		LC253808A3	FLAT WASHER 9	1		
078		266326-2	TAPPING SCREW 4X18	2		

079		931302-2	HEX. NUT M6	1		
080		LC257670A8	SLEEVE 6	1		
081		453255-0	ADJUST PLATE	1		
082		459099-6	CHANGE LEVER	1		
083		LC921352-5	HEX.BOLT M6X30	1		
084		347571-9	CONNECTING ROD	1		
085		LC941101-4	FLAT WASHER 5	2		
086		252103-8	HEX. LOCK NUT M5-8	2		
087		LC252145-2	COLLARED HEX. NUT M8	2		
088		459101-5	REAR WHEEL	2		
089		LC210070-3	BALL BEARING 6200ZZ	2		
090		162683-5	REAR SHAFT	1		
091		LC346545-7	PLATE	2		
092		266326-2	TAPPING SCREW 4X18	2		
093		LC252145-2	COLLARED HEX. NUT M8	2		
094		459100-7	FRONT WHEEL	2		
095		LC210070-3	BALL BEARING 6200ZZ	2		
096		162682-7	FRONT SHAFT	1		
097		341462-6	PLATE	2		
098		266326-2	TAPPING SCREW 4X18	4		
099		327411-7	REAR BAG ROD	1		
100		267438-4	FLAT WASHER 5	2		
101		266326-2	TAPPING SCREW 4X18	2		
102		127392-3	REAR BAG ASSEMBLY M	1		
102	D10		INC. 104-108			
104		273676-8	GRIP B	1		
105		459812-2	REAR BAG COVER	1		
106		266326-2	TAPPING SCREW 4X18	2		
107		162684-3	REAR BAG	1		
108		459806-7	INDICATOR M	1		
A01		782016-4	OFFSET WRENCH 13	1		
A02B		***DC18RD	DC18RD TWO PORT FAST CHARGER	1		DLM382PM2
A02B	D10		COMPO-PARTS			DLM382PM2
A03B		197265-4	BATTERY BL1840B SET	2		DLM382PM2
E01		819M64-9	SOUND 91DB LABEL	1		

Satisfy Professional's Needs



Cordless Lawn Mower Series



DLM533 / DLM532 / DLM530 / DLM462 /
DLM460 / DLM432 / DLM382

18v + 18v → 36v



Aluminum Deck

DLM533 (530mm) new



Steel Deck

DLM532 (530mm) new

DLM530 (530mm) new

DLM462 (460mm) new

DLM460 (460mm)



Plastic Deck

DLM432 (430mm) new

DLM382 (380mm) new



BL MOTOR **XPT**

except
DLM432 / DLM382



Easy to Use



Easy Maintenance

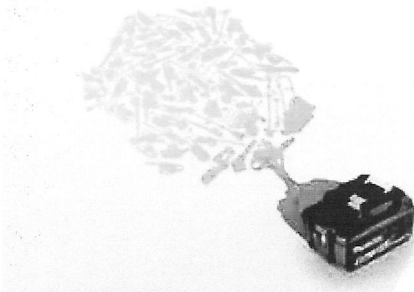


Zero Emission



Low Noise

ZERO EMISSION

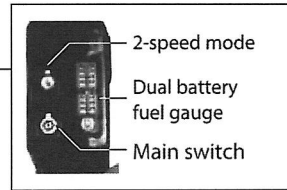


Aluminum Deck DLM533



photo: DLM533

Built-in ball bearing on axles for added durability



2-speed mode
Dual battery fuel gauge
Main switch

Heavy duty handle

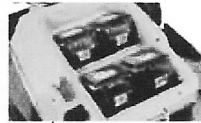
Grass level indicator



empty

full

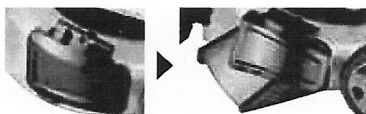
4 battery slots



Child lock key

Heavy duty handle

Side Discharge (DLM532 / DLM530)



with side discharge mouth



photo: DLM532

Built-in ball bearing on axles for added durability

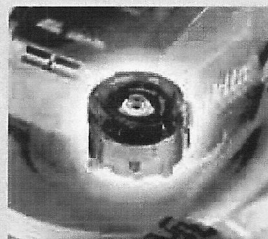
Steel Deck

DLM532 / DLM530
DLM462

Self-Propelled (DLM533 / DLM532 / DLM462)



BL MOTOR



except DLM432 / DLM382

Single-lever cutting height adjustment

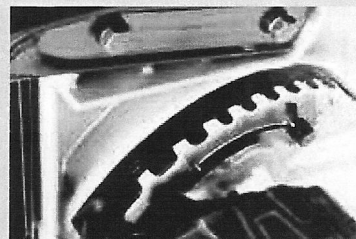


photo: DLM533

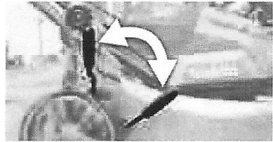
IPX4 (water resistant)



Steel Deck

DLM460

Single-lever cutting height adjustment



Built-in ball bearing on axles for added durability



Child lock key



Plastic Deck

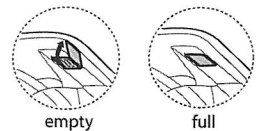
DLM432 / DLM382

Dual battery fuel gauge

Child lock key



Grass box with Grass level indicator



Easy installation and removal of the grass box



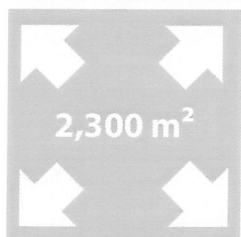
photo: DLM432

Model	Deck	Self-Propelled	BL MOTOR	Battery slots	Cutting / Collecting / Mulching	Rear discharge	Side discharge
DLM533	Aluminum	✓	✓	4	✓	✓	
DLM532	Steel	✓	✓	4	✓		✓
DLM530	Steel		✓	4	✓		✓
DLM462	Steel	✓	✓	4	✓		
DLM460	Steel		✓	2	✓		
DLM432	Plastic			2	✓*		
DLM382	Plastic			2	✓*		

* Optional accessory for Mulching (DLM432 / DLM382)

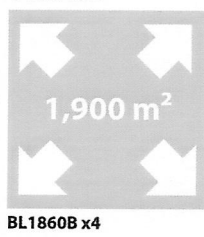
Recommended mowing area

DLM533 / DLM532 / DLM530



BL1860B x4

DLM462



BL1860B x4

DLM460



BL1860B x2

DLM432



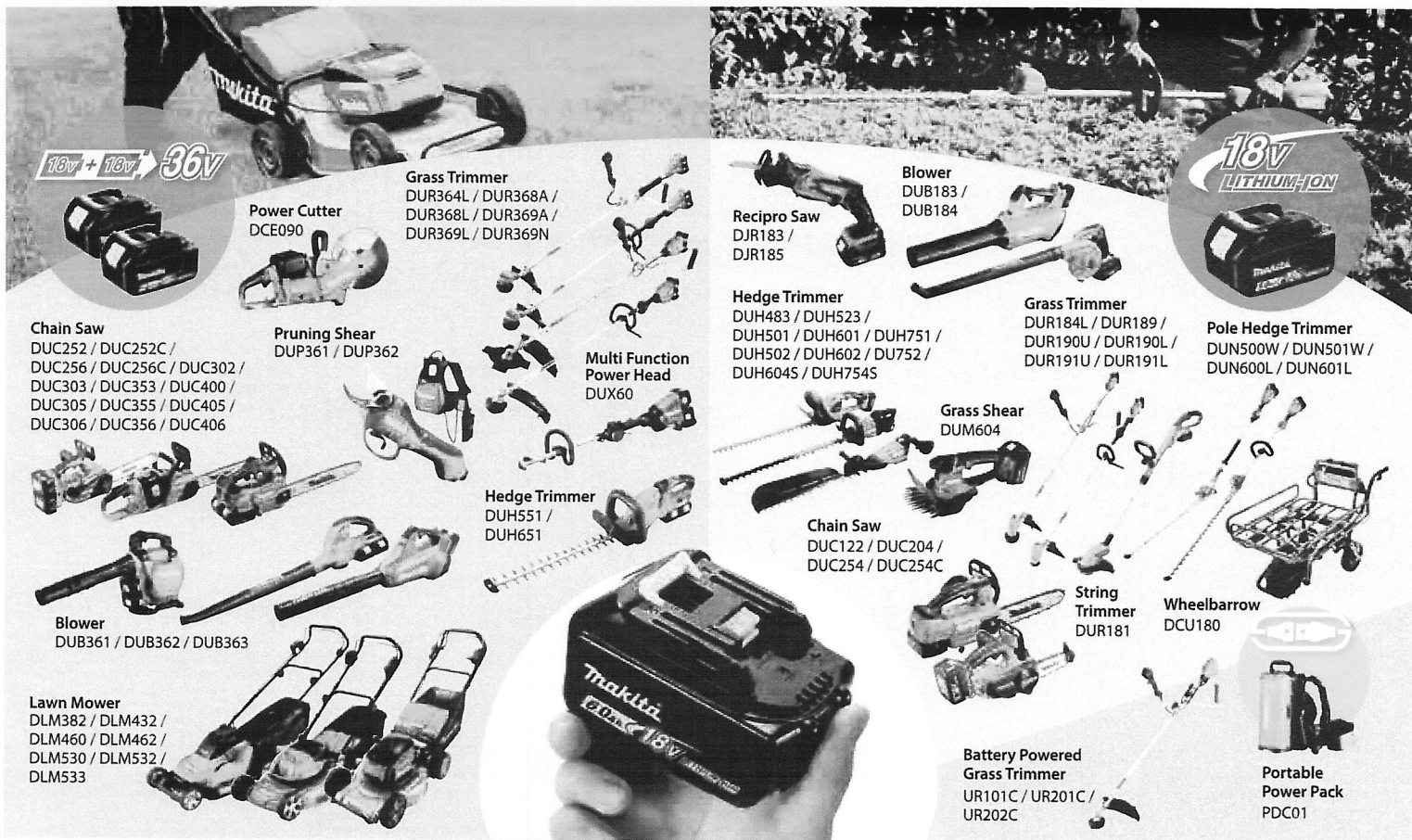
BL1860B x2

DLM382



BL1860B x2





10v + 10v → 36v

18V LITHIUM-ION

Chain Saw
DUC252 / DUC252C /
DUC256 / DUC256C / DUC302 /
DUC303 / DUC353 / DUC400 /
DUC305 / DUC355 / DUC405 /
DUC306 / DUC356 / DUC406

Power Cutter
DCE090

Pruning Shear
DUP361 / DUP362

Multi Function Power Head
DUX60

Recipro Saw
DJR183 /
DJR185

Blower
DUB183 /
DUB184

Hedge Trimmer
DUH483 / DUH523 /
DUH501 / DUH601 / DUH751 /
DUH502 / DUH602 / DU752 /
DUH604S / DUH754S

Grass Trimmer
DUR184L / DUR189 /
DUR190U / DUR190L /
DUR191U / DUR191L

Pole Hedge Trimmer
DUN500W / DUN501W /
DUN600L / DUN601L

Hedge Trimmer
DUH551 /
DUH651

Chain Saw
DUC122 / DUC204 /
DUC254 / DUC254C

Grass Shear
DUM604

Blower
DUB361 / DUB362 / DUB363

String Trimmer
DUR181

Wheelbarrow
DCU180

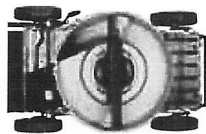
Lawn Mower
DLM382 / DLM432 /
DLM460 / DLM462 /
DLM530 / DLM532 /
DLM533

Battery Powered Grass Trimmer
UR101C / UR201C /
UR202C

Portable Power Pack
PDC01

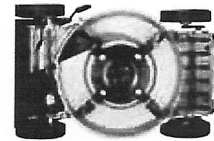
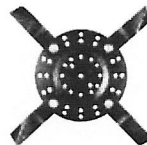
Accessories

Blade



Model	Size (mm)	Part No.
DLM533 / DLM532 / DLM530	530	191D52-7
DLM462	460	191D51-9
DLM460	460	199367-2
DLM432	430	191D43-8
DLM382	380	191D41-2

Swing back blade



Model: DLM533 / DLM532 / DLM530

Swing back blade (530mm) Part No. 191D50-1

Replacement blade (4 pc.) Part No. 191D48-8

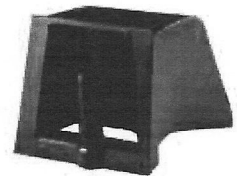
Model: DLM462

Swing back blade (460mm) Part No. 191D49-6

Replacement blade (4 pc.) Part No. 191D47-0

Mulching plug set

Model: DLM382 / DLM432
Part No. 191D46-2



Cordless Lawn Mower

DLM533 / DLM532 / DLM530 530 mm (21") DLM462 / DLM460 460 mm (18")

	DLM533	DLM532	DLM530	DLM462	DLM460
Brake	Cutting Width 534 mm (21") Cutting Height 20 - 100 mm (13/16" - 3-15/16") [10 stages]	534 mm (21") 20 - 100 mm (13/16" - 3-15/16") [10 stages]	534 mm (21") 20 - 100 mm (13/16" - 3-15/16") [10 stages]	460 mm (18 - 1/8") 20 - 100 mm (13/16" - 3-15/16") [10 stages]	460 mm (18") 20 - 75 mm (13/16" - 2-5/16") [10 stages]
Electronic 2-Speed	No Load Speed (RPM) 2,300 - 2,800 Propelling speed 2.5 - 5.0 km/h	2,300 - 2,800 2.5 - 5.0 km/h	2,300 - 2,800	2,500 - 3,300 2.5 - 5.0 km/h	2,500 - 3,300
Constant Speed	Dimensions (L x W x H) 1,655-1,740x590x990-1,100 mm (65"-68-1/2"x23-1/4"x39"-43-1/4")	1,630-1,715x590x990-1,095 mm (64"-67-1/2"x23-1/4"x39"-43")	1,630-1,715x590x990-1,095 mm (64"-67-1/2"x23-1/4"x39"-43")	1,610-1,690x535x980-1,095 mm (63-1/2"-66-1/2"x21"x38-1/2"-43")	1,319-1,518x532x879-1,138 mm (52"-59-3/4"x21"x34-1/2"-44-3/4")
Soft Start	Net weight 42.8 - 46.7 kg (94.4 - 103 lbs.)	39.0 - 42.8 kg (86.0 - 94.4 lbs.)	35.5 - 39.3 kg (78.3 - 86.6 lbs.)	35.3 - 39.0 kg (77.8 - 86.0 lbs.)	25.3 - 27.6 kg (55.8 - 60.8 lbs.)

Standard Equipment: Blade, Mulch plug, Side Discharge Mouth(DLM530 / DLM532), Socket Wrench, Rod, Battery, Charger

DLM432 430 mm (17") DLM382 380 mm (15")

	DLM432	DLM382
Brake	Cutting Width 430 mm (17") Cutting Height 20 - 75 mm (13/16" - 2-15/16") [13 stages]	380 mm (15") 20 - 75 mm (13/16" - 2-15/16") [13 stages]
Soft Start	No Load Speed (RPM) 3,600 Dimensions (L x W x H) 1,435-1,490x460x1,005-1,045 mm (56-1/2"-58-3/4"x18-1/8"x39-1/2"-41-1/4")	3,700 1,380-1,410x450x985-1,005 mm (54-1/4"-55-1/2"x17-3/4"x38-3/4"-39-1/2")
	Net weight 16.8 - 17.5 kg (37.0 - 38.6 lbs.)	16.2 - 16.9 kg (35.7 - 37.3 lbs.)

Standard Equipment: Blade, Wrench, Battery, Charger

The weight may differ depending on the attachment(s), including the battery cartridge. The lightest and heaviest combination, according to EPTA-Procedure 01/2014, are shown in the table. Items of standard equipment and specifications may vary by country or area.

Makita Corporation

3-11-8 Sumiyoshi-cho, Anjo, Aichi, 446-8502 Japan

PRINTED IN JAPAN 202001