

# Liquid Freezer II 420

Multi Compatible All-In-One CPU Water Cooler



## General Specifications

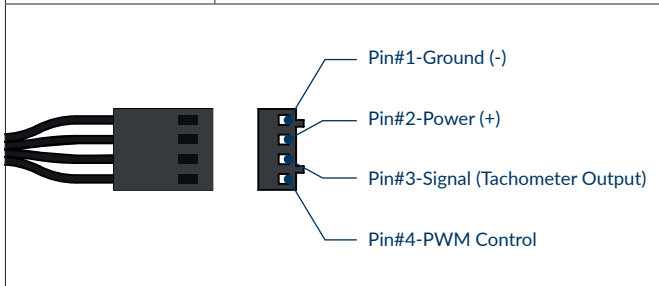
Socket Compatibility	Intel® 1200, 115X, 2011-3*, 2066* *Square ILM AMD® AM4, AM3(+)
Fan	3 x 140 mm P14 PWM-Fan
TIM	ARCTIC MX-4 included
Noise Level	0.4 Sone @ max. rpm
Dimensions	148 mm (L) x 149.5 mm (W) x 166 mm (H)
Total Weight	1977 g

## Tubing

Material	Fiber Sleeved Rubber Tubing
Feature	Integrated Y-Splitter for Radiator Fans
Tube Length	450 mm
Tube Diameter	Outer 12.4 mm Inner 6.0 mm

## Fan Specifications

Speed	200-1700 rpm
rpm Control	Pulse Width Modulation
Noise Level	0.3 Sone
Connector	4-Pin Connector
Bearing	Fluid Dynamic Bearing
Current Voltage	0.12 A/ 12 V DC
Static Pressure	2.4 mm H <sub>2</sub> O
Airflow	72.8 cfm
Dimensions	140 mm (L) x 27 mm (W) x 140 mm (H)

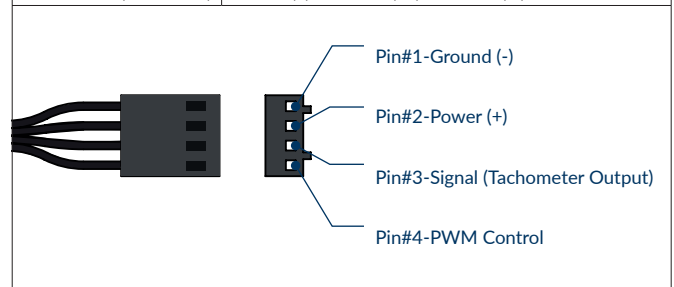


## Radiator Specifications

Material	Aluminum
Dimensions (w/o tubes)	458 mm (L) x 138 mm (W) x 38 mm (H)

## Pump/Cold Plate

VRM-Fan	40 mm, 1000-3000 rpm (Controlled by PWM)
Pump	800-2000 rpm (Controlled by PWM)
Power Consumption	1.0 W-2.7 W (Pump and VRM Fan)
Cold Plate	Copper, Micro Skived Fin
Connector	4-Pin Connector
rpm readout	Radiator Fan only
Dimensions (w/o tubes)	78 mm (L) x 98 mm (W) x 53 mm (H)

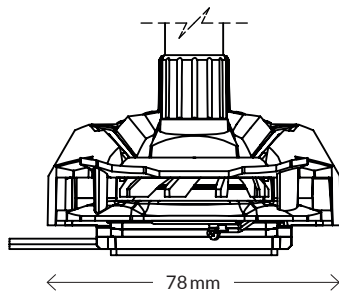
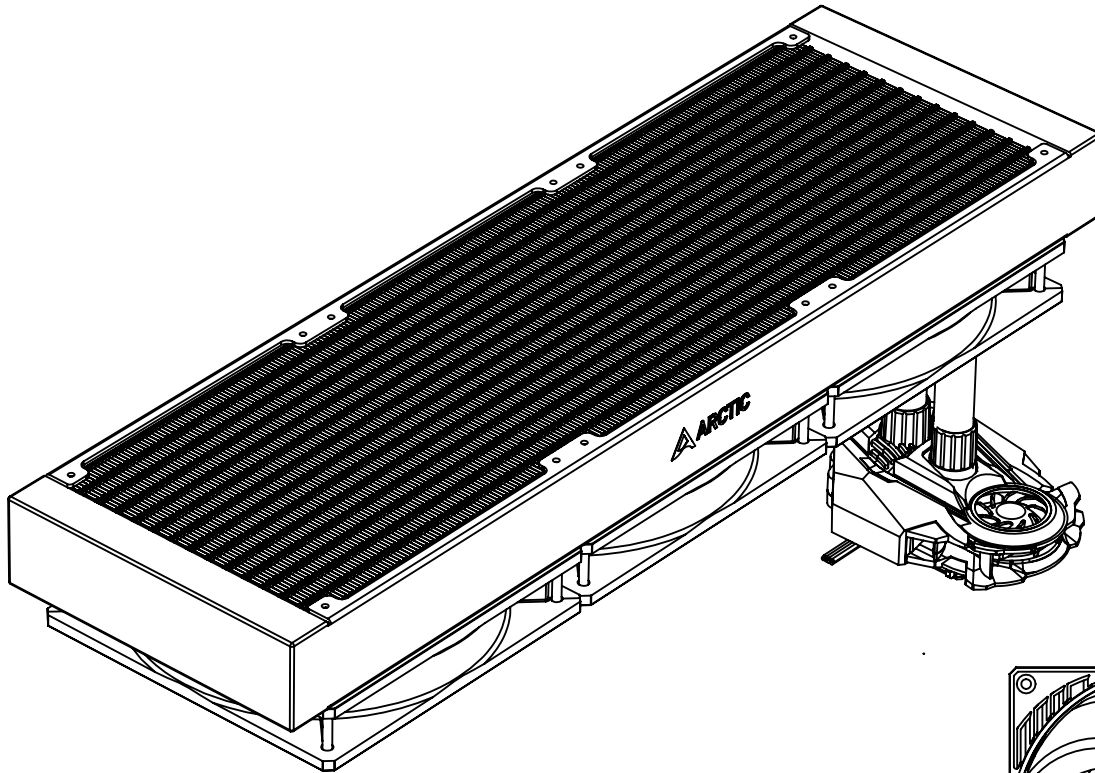


## Shipping Information

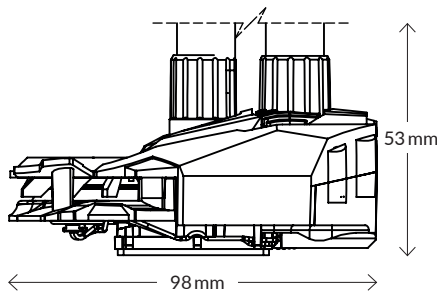
Box Dimensions	473 mm (L) x 155 mm (W) x 170 mm (H)
Gross Weight	2728 g
SKU	ACFRE00092A
EAN	4895213702812
UPC	840033400619

# Liquid Freezer II 420

Multi Compatible All-In-One CPU Water Cooler

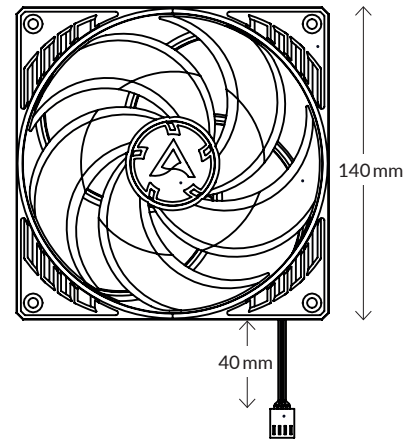


78 mm



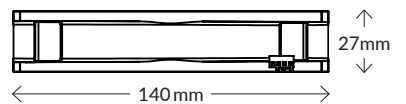
53 mm

98 mm



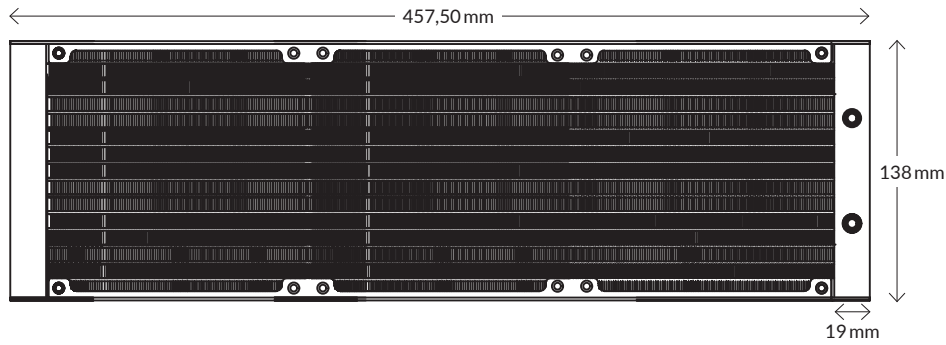
140 mm

40 mm



27 mm

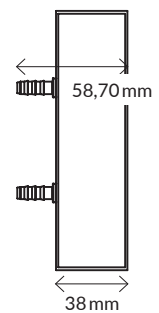
140 mm



457.50 mm

138 mm

19 mm



58.70 mm

38 mm



Product Information



Manual