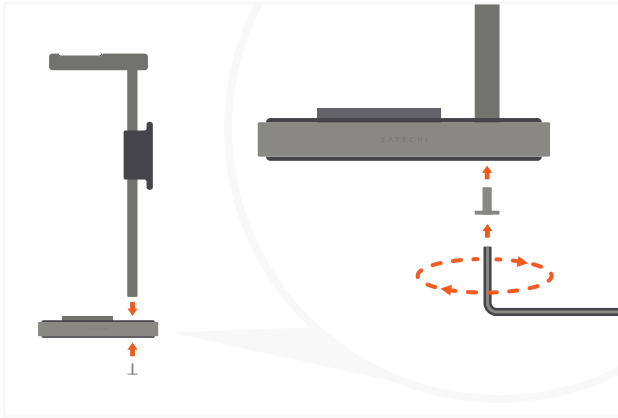
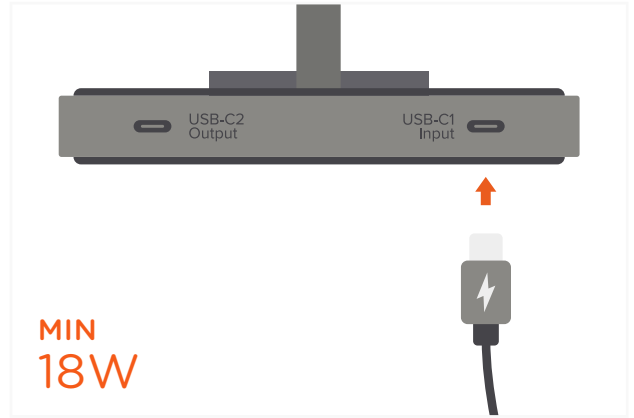


2-IN-1 HEADPHONE STAND

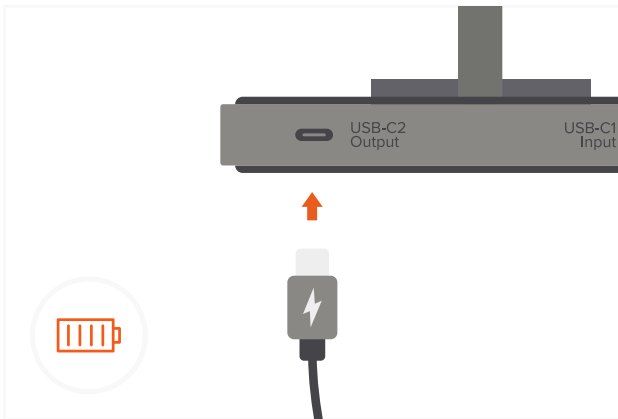
- 1** Assemble the headphone stand with a screw and a tool for screwing the post. The screw and the tool are included



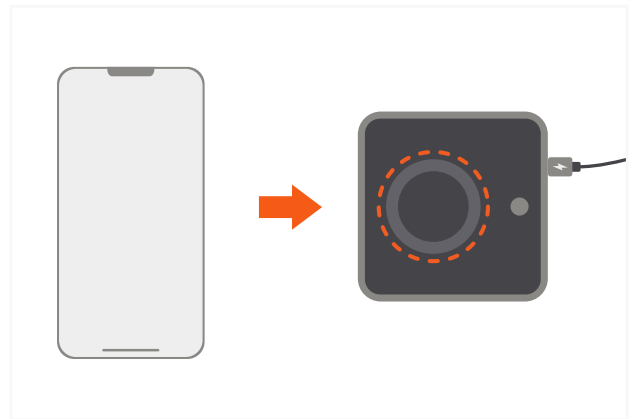
- 2** Use the USB-C input port to connect the Headset Stand to a power adapter. Cable included. Power adapter not included. Requires 18W or higher power adapter to work properly



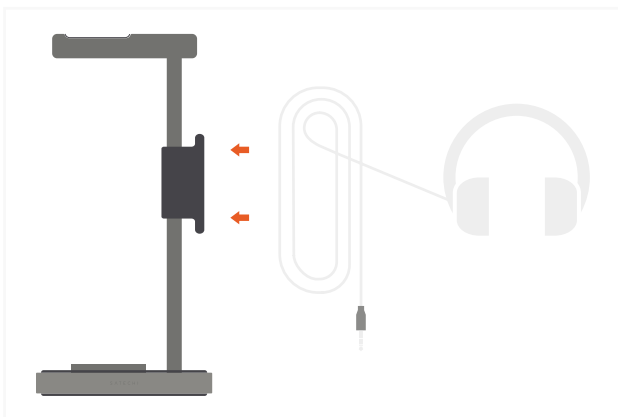
- 3** Use the USB-C Output Port (Non-PD) to charge your devices with 5W Max output.



- 4** Connect your iPhone or other Qi-enabled devices to the Magnetic Wireless Charger for charging - support (7.5W) max. Magnetic Wireless Charger will only magnetize with devices that support MagSafe charging



- 5** Use the cable organizer on the back of the Headset Stand to get rid of long messed cables.



- 6** Hang your headset on the Headset Stand. Rubberized surface securely keeps it in its place.

